

# Gewinner

Original Teile & Geprüfte Qualität



## BRAKE CALIPER REPAIR KITS

PRODUCT CATALOG

2026



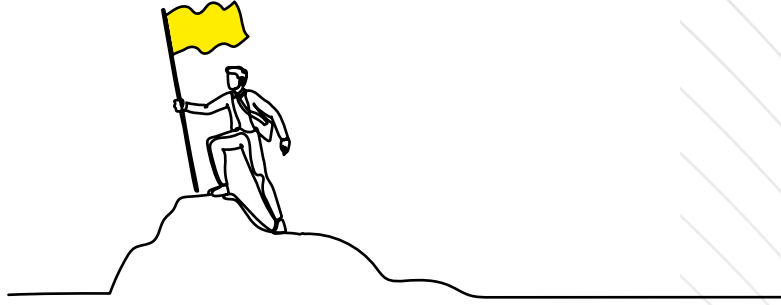
[www.gewinnerbrake.com](http://www.gewinnerbrake.com)





[www.gewinnerbrake.com](http://www.gewinnerbrake.com)





Not a competitor.  
**Prepares the  
conditions for  
competition.**





---

## ABOUT US

With over 40 years of experience in design and manufacturing of brake caliper systems, we have proudly earned our reputation and place in the Turkish automotive industry with our registered brand name Gewinner. Atakpar Ltd. has been the first pioneering specialist who introduced design and manufacturing of brake caliper systems and repair/rebuild kits in Turkiye.

**Our Gewinner brand reaches out to a wide international market of 37 countries, most of which are mainly European.** With 40 years of experience, our top priority has always been ultimate customer satisfaction. We always keep a keen eye on ever-evolving technologies in order to provide our customers with cutting edge quality and after-sales services.

Our vision has always been to be a reliable business partner to our customers by offering the best value and quality at a reasonable price. In order to bring this vision to life, we keep on investing in new technologies and innovative ways of manufacturing to improve quality.

As part of our focus on quality, Atakpar Ltd has acquired international quality certifications of ISO 9001:2015, IATF 16949:2016 and other relevant accreditation certificates.

MOTTO

OUR NON-STOP  
EFFORTS ARE  
**FOR YOU**

We have one sole mission; to help the improvement of quality in life by offering high quality products to enlarge.



Y&TRUST



**Gewinner**

Original Teile & Geprüfte Qualität

# HIGH PRODU CAPACITY



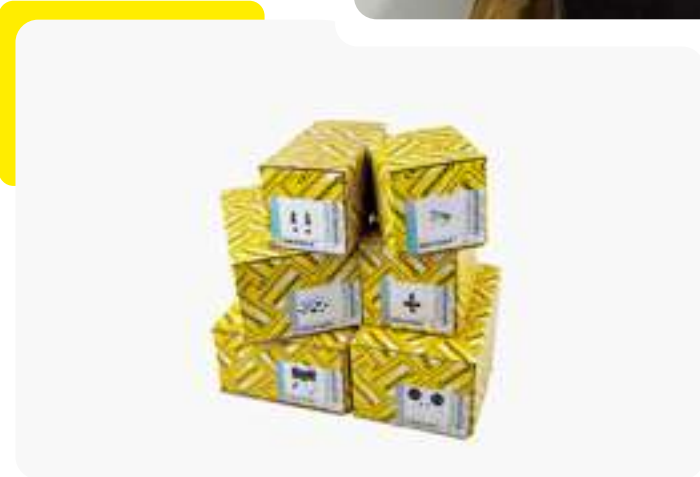
[www.gewinnerbrake.com](http://www.gewinnerbrake.com)

# DUCTION





# Y&S STABILITY



# Y&T TRUST

[www.atakpar.com](http://www.atakpar.com)



# Gewinner

Original Teile & Geprüfte Qualität

# QUALITY



www.gewinnerbrake.com

# QUALITY&S

# CERTIFICATES



TABILITY

[www.atakpar.com](http://www.atakpar.com)





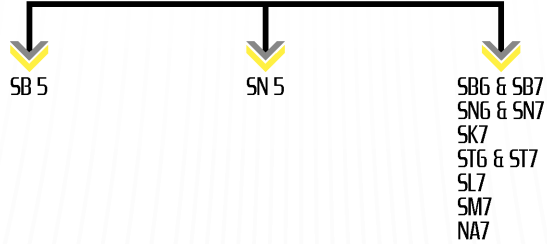
➤ **942101**

# CALIPER TOOL KIT

# CALIPER TOOL KIT



FOR KNORR TYPE CALIPER



FOR BENDIX TYPE CALIPER



FOR WABCO TYPE CALIPER



FOR MERITOR TYPE CALIPER



FOR SINOTRUK HOWO TYPE CALIPER



FOR HALDEX TYPE CALIPER



FOR HYDRAULIC CALIPER SYSTEM



FOR Z-CAM BRAKE SYSTEMS



FOR WEDGE BRAKE SYSTEMS





BRAKE  
CALIPER  
REPAIR KITS

*for*  
**KNORR**  
**SB5...**

**101160 > CALIPER COMPLETE REPAIR SET**



PART NO	GW NO	CONTENTS	DIMENSION	QTY.
1	102102	CALIPER ADJUSTING MECHANISM SHAFT	-	1
2	103103	CALIPER ADJUSTING MECHANISM SHAFT PINION GEAR	-	1
3	104105	CALIPER SHAFT HOUSING SET	-	1
4	107112	CALIPER LEVER	-	1
5	108101	CALIPER NEEDLE BEARING KIT	-	1
6	109103	CALIPER CALIBRATION SHAFT CHAIN	12 LINK	1
7	150107	CALIPER TAPPET & BOOT REPAIR KIT	Ø 74 mm	1
8	151115	CALIPER GUIDE PIN & PIN BUSHING REPAIR KIT	-	1
9	156103	CALIPER CAP KIT	-	1
10	161101	CALIPER CALIBRATION BOLT	3 THREAD	1

**101183 > CALIPER REPAIR SET**



PART NO	GW NO	CONTENTS	DIMENSION	QTY.
1	102102	CALIPER ADJUSTING MECHANISM SHAFT	-	1
2	103103	CALIPER ADJUSTING MECHANISM SHAFT PINION GEAR	-	1
3	104105	CALIPER SHAFT HOUSING SET	-	1
4	108101	CALIPER NEEDLE BEARING KIT	-	1
5	109103	CALIPER CALIBRATION SHAFT CHAIN	12 LINK	1
6	150107	CALIPER TAPPET & BOOT REPAIR KIT	Ø 74 mm	1
7	151115	CALIPER GUIDE PIN & PIN BUSHING REPAIR KIT	-	1
8	156103	CALIPER CAP KIT	-	1
9	161101	CALIPER CALIBRATION BOLT	3 THREAD	1

**101110** > CALIPER REPAIR SET



PART NO	GW NO	CONTENTS	DIMENSION	QTY.
1	102102	CALIPER ADJUSTING MECHANISM SHAFT	-	1
2	103103	CALIPER ADJUSTING MECHANISM SHAFT PINION GEAR	-	1
3	104105	CALIPER SHAFT HOUSING SET	-	1
4	107112	CALIPER LEVER	-	1
5	108101	CALIPER NEEDLE BEARING KIT	-	1
6	109103	CALIPER CALIBRATION SHAFT CHAIN	12 LINK	1
7	150107	CALIPER TAPPET & BOOT REPAIR KIT	∅ 74 mm	1
8	161101	CALIPER CALIBRATION BOLT	3 THREAD	1

**104105** > CALIPER SHAFT HOUSING SET



PART NO	GW NO	CONTENTS	DIMENSION	QTY.
1	104105	CALIPER SHAFT HOUSING	-	1
2	102102	CALIPER SHAFT HOUSING SPRING	-	2

**107112** > CALIPER LEVER



**108101** > CALIPER NEEDLE BEARING KIT



**161101** > CALIPER CALIBRATION BOLT (3 THREAD)



**102102** > CALIPER ADJUSTING MECHANISM SHAFT



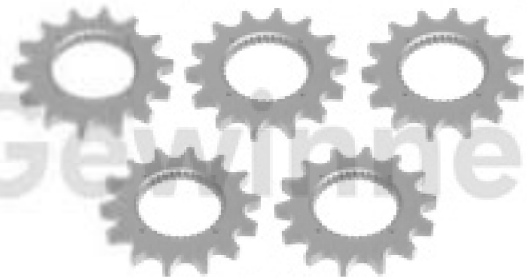
**103103** > CALIPER ADJUSTING MECHANISM SHAFT PINION GEAR



**103105** > CALIPER PINION SHAFT KIT



**103106** > CALIPER ADJUSTING MECHANISM GEAR KIT



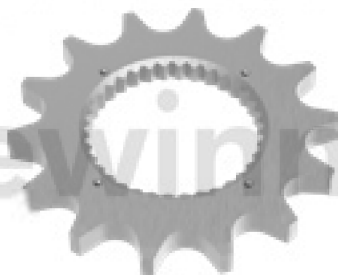
PART NO.	GW NO.	CONTENTS	DIMENSION	QTY.
1	103103	CALIPER ADJUSTING MECHANISM SHAFT PINION GEAR	-	5

PART NO.	GW NO.	CONTENTS	DIMENSION	QTY.
1	103101	CALIPER ADJUSTING MECHANISM GEAR	-	5

**109103** > CALIPER CALIBRATION SHAFT CHAIN (12 LINK)



**103101** > CALIPER ADJUSTING MECHANISM GEAR



## 151115 &gt; CALIPER GUIDE PIN &amp; PIN BUSHING REPAIR KIT



PART NO	GW NO	CONTENTS	DIMENSION	QTY.
1	160104	CALIPER GUIDE PIN	Ø 34 x 80 mm	1
2	160108	CALIPER GUIDE PIN	Ø 36 x 145 mm	1
3	162103	CALIPER GUIDE PIN BOLT	M16 x 1.5 x 85 mm	1
4	162108	CALIPER GUIDE PIN BOLT	M16 x 1.5 x 150 mm	1
5	162106	CALIPER GUIDE PIN BOOT	-	1
6	166108	CALIPER GUIDE PIN BOOT RING	-	1
7	162108	CALIPER BELLOW CAP	-	1
8	165108	CALIPER BELLOW CAP CLAMP	-	1
9	163104	CALIPER GUIDE PIN BUSHING	Ø 40 x 36 x 82 mm	1
10	163108	CALIPER GUIDE PIN RUBBER BUSHING	Ø 40 x 34 x 50 mm	1

10369100062

## 151157 &gt; CALIPER GUIDE PIN &amp; PIN BUSHING REPAIR KIT



PART NO	GW NO	CONTENTS	DIMENSION	QTY.
1	160104	CALIPER GUIDE PIN	Ø 34 x 80 mm	1
2	160108	CALIPER GUIDE PIN	Ø 36 x 145 mm	1
3	160104	CALIPER GUIDE PIN BOLT	M16 x 1.5 x 80 mm	1
4	162108	CALIPER GUIDE PIN BOLT	M16 x 1.5 x 150 mm	1
5	162106	CALIPER GUIDE PIN BOOT	-	1
6	166108	CALIPER GUIDE PIN BOOT RING	-	1
7	162108	CALIPER BELLOW CAP	-	1
8	165108	CALIPER BELLOW CAP CLAMP	-	1
9	163108	CALIPER GUIDE PIN RUBBER BUSHING	Ø 40 x 34 x 50 mm	1

## 151121 &gt; CALIPER GUIDE PIN &amp; PIN BUSHING REPAIR KIT



PART NO	GW NO	CONTENTS	DIMENSION	QTY.
1	160108	CALIPER GUIDE PIN	Ø 36 x 145 mm	1
2	162108	CALIPER GUIDE PIN BOLT	M16 x 1.5 x 150 mm	1
3	162106	CALIPER GUIDE PIN BOOT	-	1
4	166108	CALIPER GUIDE PIN BOOT RING	-	1
5	162108	CALIPER BELLOW CAP	-	1
6	165108	CALIPER BELLOW CAP CLAMP	-	1
7	163104	CALIPER GUIDE PIN BUSHING	Ø 40 x 36 x 82 mm	1

K000935

## 151131 &gt; CALIPER GUIDE PIN &amp; PIN BUSHING REPAIR KIT



PART NO	GW NO	CONTENTS	DIMENSION	QTY.
1	160104	CALIPER GUIDE PIN	Ø 34 x 80 mm	1
2	160106	CALIPER GUIDE PIN	Ø 36 x 114 mm	1
3	161105	CALIPER GUIDE PIN BOLT	M16 x 1.5 x 85 mm	2
4	163108	CALIPER GUIDE PIN RUBBER BUSHING	Ø 40 x 34 x 50 mm	1

## 151134 &gt; CALIPER GUIDE PIN &amp; PIN BUSHING REPAIR KIT



PART NO	GW NO	CONTENTS	DIMENSION	QTY.
1	160104	CALIPER GUIDE PIN	Ø 34 x 80 mm	1
2	161105	CALIPER GUIDE PIN BOLT	M16 x 1.5 x 85 mm	1
3	163108	CALIPER GUIDE PIN RUBBER BUSHING	Ø 40 x 34 x 50 mm	1

I1368470064

## 151135 &gt; CALIPER GUIDE PIN &amp; PIN BUSHING REPAIR KIT



PART NO	GW NO	CONTENTS	DIMENSION	QTY.
1	160104	CALIPER GUIDE PIN	Ø 34 x 80 mm	1
2	163108	CALIPER GUIDE PIN RUBBER BUSHING	Ø 40 x 34 x 50 mm	1

## 152106 &gt; CALIPER BOOT REPAIR KIT



PART NO	GW NO	CONTENTS	DIMENSION	QTY.
1	162102	CALIPER TAPPET & BOOT ASSEMBLY	∅ 74 mm	1
2	162105	CALIPER SHAFT HOUSING BOOT	∅ 74 mm	1
3	163105	CALIPER CALIBRATION BOLT BUSHING	∅ 18 x 16 x 10 mm	1
4	162106	CALIPER GUIDE PIN BOOT	-	1
5	166108	CALIPER GUIDE PIN BOOT RING	-	1
6	163108	CALIPER GUIDE PIN RUBBER BUSHING	∅ 40 x 34 x 50 mm	1
7	162108	CALIPER BELLOW CAP	-	1
8	165108	CALIPER BELLOW CAP CLAMP	-	1

## 156113 &gt; CALIPER BOOT REPAIR KIT



PART NO	GW NO	CONTENTS	DIMENSION	QTY.
1	162106	CALIPER GUIDE PIN BOOT	-	1
2	166108	CALIPER GUIDE PIN BOOT RING	-	1
3	162108	CALIPER BELLOW CAP	-	1
4	165108	CALIPER BELLOW CAP CLAMP	-	1

## 156104 &gt; CALIPER GUIDE PIN CAP &amp; BOOT REPAIR KIT



PART NO	GW NO	CONTENTS	DIMENSION	QTY.
1	162106	CALIPER GUIDE PIN BOOT	-	1
2	166108	CALIPER GUIDE PIN BOOT RING	-	1
3	164102	CALIPER GUIDE PIN CAP	∅ 54 x 28 mm	1
4	168108	CALIPER GUIDE PIN CAP O-RING	-	1

10350470061

## 156101 &gt; CALIPER GUIDE PIN CAP SET



PART NO	GW NO	CONTENTS	DIMENSION	QTY.
1	162108	CALIPER BELLOW CAP	-	6
2	165108	CALIPER BELLOW CAP CLAMP	-	6
3	164102	CALIPER GUIDE PIN CAP	∅ 54 x 28 mm	6
4	168108	CALIPER GUIDE PIN CAP O-RING	-	6

**150111** > CALIPER GUIDE PIN BOOT KIT



PART NO.	GW NO.	CONTENTS	DIMENSION	QTY.
1	16206	CALIPER GUIDE PIN BOOT	-	1
2	16601	CALIPER GUIDE PIN BOOT RING	-	1

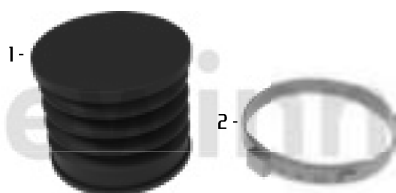
**156103** > CALIPER CAP KIT



1139769F0063

PART NO.	GW NO.	CONTENTS	DIMENSION	QTY.
1	16402	CALIPER GUIDE PIN CAP	∅ 54 x 28 mm	1
2	16801	CALIPER GUIDE PIN CAP O-RING	-	1

**156107** > CALIPER GUIDE PIN CAP KIT



PART NO.	GW NO.	CONTENTS	DIMENSION	QTY.
1	162108	CALIPER BELLOW CAP	-	1
2	165101	CALIPER BELLOW CAP CLAMP	-	1

**156111** > CALIPER BODY SEAL CAP SET



PART NO.	GW NO.	CONTENTS	DIMENSION	QTY.
1	16401	CALIPER BODY SEAL CAP	-	5

**156118** > CALIPER GUIDE PIN CAP KIT



PART NO.	GW NO.	CONTENTS	DIMENSION	QTY.
1	16405	CALIPER GUIDE PIN CAP	-	5

**156120** > CALIPER GUIDE PIN CAP KIT



PART NO.	GW NO.	CONTENTS	DIMENSION	QTY.
1	16404	CALIPER GUIDE PIN CAP	-	5

## 150107 &gt; CALIPER TAPPET REPAIR KIT



PART NO	GW NO	CONTENTS	DIMENSION	QTY.
1	162102	CALIPER TAPPET & BOOT ASSEMBLY	∅ 74 mm	1
2	163105	CALIPER CALIBRATION BOLT BUSHING	∅ 18 x 16 x 10 mm	1
3	162105	CALIPER SHAFT HOUSING BOOT	∅ 74 mm	1

11370760065

## 150123 &gt; CALIPER TAPPET REPAIR KIT



PART NO	GW NO	CONTENTS	DIMENSION	QTY.
1	162102	CALIPER TAPPET & BOOT ASSEMBLY	∅ 74 mm	1
2	163105	CALIPER CALIBRATION BOLT BUSHING	∅ 18 x 16 x 10 mm	1
3	162116	CALIPER SHAFT HOUSING BOOT	∅ 74 mm	1

## 150108 &gt; CALIPER TAPPET REPAIR KIT



PART NO	GW NO	CONTENTS	DIMENSION	QTY.
1	162102	CALIPER TAPPET & BOOT ASSEMBLY	∅ 74 mm	1
2	163105	CALIPER CALIBRATION BOLT BUSHING	∅ 18 x 16 x 10 mm	1

**110109** > CALIPER SENSOR COVER WITHOUT SENSOR



**110110** > CALIPER SENSOR COVER WITH 2 WIRES MERCEDES-BENZ TYPE



**110111** > CALIPER SENSOR COVER WITH 3 WIRES MERCEDES-BENZ TYPE



**110128** > CALIPER SENSOR COVER WITH 3 WIRES MAN TYPE



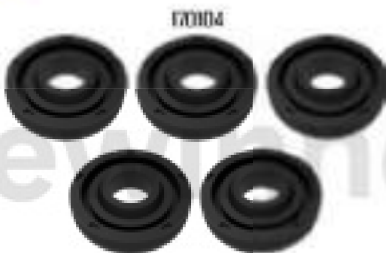
**120101** > MANUAL SENSOR TEST DEVICE [BATTERY OPERATED]



**120102** > SEMI-AUTOMATIC SENSOR TEST DEVICE [ELECTRIC-POWERED]



**170103** > CALIPER SENSOR COVER SEAL SET



**142102** > CALIPER BUSHING TOOL KIT



**168103** > CALIPER SENSOR COVER GASKET



**164103** > CALIPER SENSOR COVER CAP



*for*  
**KNORR**  
**SN5...**



BRAKE  
CALIPER  
REPAIR KITS

**101115** > CALIPER COMPLETE REPAIR SET



PART NO	GW NO	CONTENTS	DIMENSION	QTY.
1	102102	CALIPER ADJUSTING MECHANISM SHAFT	-	1
2	103102	CALIPER ADJUSTING MECHANISM SHAFT PINION GEAR	-	1
3	104104	CALIPER SHAFT HOUSING SET	-	1
4	107111	CALIPER LEVER	-	1
5	108103	CALIPER NEEDLE BEARING KIT	-	1
6	109102	CALIPER CALIBRATION SHAFT CHAIN	14 LINK	1
7	110123	CALIPER SHEET METAL COVER SET	-	1
8	111101	CALIPER BRAKE PAD RETAINER KIT	h= 25 mm	1
9	150129	CALIPER TAPPET & BOOT REPAIR KIT	∅ 69 mm	1
10	151128	CALIPER GUIDE PIN & PIN BUSHING REPAIR KIT	-	1
11	161101	CALIPER CALIBRATION BOLT	3 THREAD	1

COMPATIBLE BRAKE CALIPER			
LEFT HAND	RIGHT HAND	LEFT HAND	RIGHT HAND
195501	195401	195519	195419
195517	195417	195520	195420
195518	195418		

**101182 > CALIPER REPAIR SET**



PART NO	GW NO	CONTENTS	DIMENSION	QTY.
1	102102	CALIPER ADJUSTING MECHANISM SHAFT	-	1
2	103102	CALIPER ADJUSTING MECHANISM SHAFT PINION GEAR	-	1
3	104104	CALIPER SHAFT HOUSING SET	-	1
4	108103	CALIPER NEEDLE BEARING KIT	-	1
5	109102	CALIPER CALIBRATION SHAFT CHAIN	14 LINK	1
6	110123	CALIPER SHEET METAL COVER SET	-	1
7	150129	CALIPER TAPPET & BOOT REPAIR KIT	∅ 69 mm	1
8	151128	CALIPER GUIDE PIN & PIN BUSHING REPAIR KIT	-	1
9	161101	CALIPER CALIBRATION BOLT	3 THREAD	1

**101159 > CALIPER REPAIR SET**



PART NO	GW NO	CONTENTS	DIMENSION	QTY.
1	102102	CALIPER ADJUSTING MECHANISM SHAFT	-	1
2	103102	CALIPER ADJUSTING MECHANISM SHAFT PINION GEAR	-	1
3	104104	CALIPER SHAFT HOUSING SET	-	1
4	107111	CALIPER LEVER	-	1
5	108103	CALIPER NEEDLE BEARING KIT	-	1
6	109102	CALIPER CALIBRATION SHAFT CHAIN	14 LINK	1
7	150110	CALIPER TAPPET & BOOT REPAIR KIT	∅ 69 mm	1
8	151128	CALIPER GUIDE PIN & PIN BUSHING REPAIR KIT	-	1
9	161101	CALIPER CALIBRATION BOLT	3 THREAD	1

**101162 > CALIPER REPAIR SET**



PART NO	GW NO	CONTENTS	DIMENSION	QTY.
1	102102	CALIPER ADJUSTING MECHANISM SHAFT	-	1
2	103102	CALIPER ADJUSTING MECHANISM SHAFT PINION GEAR	-	1
3	104104	CALIPER SHAFT HOUSING SET	-	1
4	107111	CALIPER LEVER	-	1
5	108103	CALIPER NEEDLE BEARING KIT	-	1
6	109102	CALIPER CALIBRATION SHAFT CHAIN	14 LINK	1
7	110123	CALIPER SHEET METAL COVER SET	-	1
8	150110	CALIPER TAPPET & BOOT REPAIR KIT	Ø 69 mm	1
9	151128	CALIPER GUIDE PIN & PIN BUSHING REPAIR KIT	-	1
10	161101	CALIPER CALIBRATION BOLT	3 THREAD	1

**101184 > CALIPER REPAIR SET**



PART NO	GW NO	CONTENTS	DIMENSION	QTY.
1	102102	CALIPER ADJUSTING MECHANISM SHAFT	-	1
2	103102	CALIPER ADJUSTING MECHANISM SHAFT PINION GEAR	-	1
3	104104	CALIPER SHAFT HOUSING SET	-	1
4	108103	CALIPER NEEDLE BEARING KIT	-	1
5	109102	CALIPER CALIBRATION SHAFT CHAIN	14 LINK	1
6	110123	CALIPER SHEET METAL COVER SET	-	1
7	150110	CALIPER TAPPET & BOOT REPAIR KIT	Ø 69 mm	1
8	151128	CALIPER GUIDE PIN & PIN BUSHING REPAIR KIT	-	1
9	161101	CALIPER CALIBRATION BOLT	3 THREAD	1

**101111** > CALIPER REPAIR SET



PART NO	GM NO	CONTENTS	DIMENSION	QTY.
1	102102	CALIPER ADJUSTING MECHANISM SHAFT	-	1
2	103102	CALIPER ADJUSTING MECHANISM SHAFT PINION GEAR	-	1
3	104104	CALIPER SHAFT HOUSING SET	-	1
4	103101	CALIPER LEVER	-	1
5	101803	CALIPER NEEDLE BEARING KIT	-	1
6	101902	CALIPER CALIBRATION SHAFT CHAIN	14 LINK	1
7	101023	CALIPER SHEET METAL COVER SET	-	1
8	150103	CALIPER TAPPET & BOOT REPAIR KIT	∅ 69 mm	1
9	104001	CALIPER CALIBRATION BOLT	3 THREAD	1

**101151** > CALIPER REPAIR SET



PART NO	GM NO	CONTENTS	DIMENSION	QTY.
1	102102	CALIPER ADJUSTING MECHANISM SHAFT	-	1
2	103102	CALIPER ADJUSTING MECHANISM SHAFT PINION GEAR	-	1
3	104104	CALIPER SHAFT HOUSING SET	-	1
4	103101	CALIPER LEVER	-	1
5	101803	CALIPER NEEDLE BEARING KIT	-	1
6	101902	CALIPER CALIBRATION SHAFT CHAIN	14 LINK	1
7	150103	CALIPER TAPPET & BOOT REPAIR KIT	∅ 69 mm	1
8	104001	CALIPER CALIBRATION BOLT	3 THREAD	1

**101114** > CALIPER REPAIR SET



PART NO	GM NO	CONTENTS	DIMENSION	QTY.
1	102102	CALIPER ADJUSTING MECHANISM SHAFT	-	1
2	103102	CALIPER ADJUSTING MECHANISM SHAFT PINION GEAR	-	1
3	104104	CALIPER SHAFT HOUSING SET	-	1
4	103101	CALIPER LEVER	-	1
5	101803	CALIPER NEEDLE BEARING KIT	-	1
6	101902	CALIPER CALIBRATION SHAFT CHAIN	14 LINK	1
7	150103	CALIPER TAPPET & BOOT REPAIR KIT	∅ 69 mm	1
8	104001	CALIPER CALIBRATION BOLT	3 THREAD	1

**110123** > CALIPER SHEET METAL COVER SET



PART NO	GW NO	CONTENTS	DIMENSION	QTY.
1	110133	CALIPER SHEET METAL COVER	-	1
2	161111	CALIPER COVER SCREW	M8 x 1,25 x 16 mm	6
3	170101	CALIPER SHEET METAL COVER SEAL	-	1

**110115** > CALIPER SHEET METAL COVER SET



PART NO	GW NO	CONTENTS	DIMENSION	QTY.
1	110133	CALIPER SHEET METAL COVER	-	1
2	161111	CALIPER COVER SCREW	M8 x 1,25 x 16 mm	6

**104104** > CALIPER SHAFT HOUSING SET



PART NO	GW NO	CONTENTS	DIMENSION	QTY.
1	112104	CALIPER SHAFT HOUSING	-	1
2	172102	CALIPER SHAFT HOUSING SPRING	-	2

**107111** > CALIPER LEVER



**161101** > CALIPER CALIBRATION BOLT 3 THREAD



**108103** > CALIPER NEEDLE BEARING KIT



**010101** > GREASE



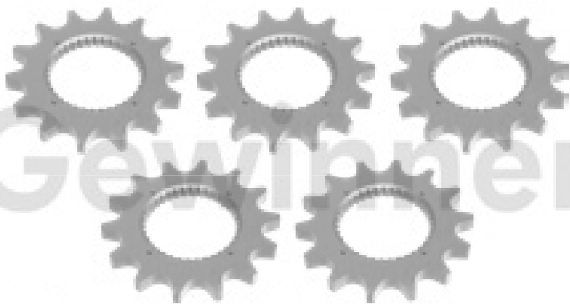
**102102** >> CALIPER ADJUSTING MECHANISM SHAFT



**109102** >> CALIPER CALIBRATION SHAFT CHAIN 14 LINK



**103106** >> CALIPER ADJUSTING MECHANISM GEAR KIT



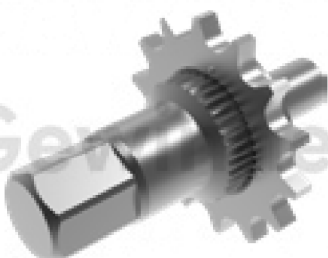
**103107** >> ADJUSTING MECHANISM PINION SHAFT SET (WITHOUT GEAR)



PART NO	GW NO	CONTENTS	DIMENSION	QTY.
1	103101	CALIPER ADJUSTING MECHANISM GEAR	-	5

PART NO	GW NO	CONTENTS	DIMENSION	QTY.
1	103102	ADJUSTING MECHANISM PINION SHAFT	-	5

**103102** >>  
CALIPER ADJUSTING MECHANISM  
SHAFT PINION GEAR



**103101** >>  
CALIPER ADJUSTING MECHANISM GEAR



**103117** >>  
CALIPER ADJUSTING MECHANISM  
SHAFT PINION GEAR



## 151128 &gt; CALIPER GUIDE PIN REPAIR SET



K00928

PART NO.	GW NO.	CONTENTS	DIMENSION	QTY.
1	16001	CALIPER GUIDE PIN	∅ 30 x 72 mm	1
2	16002	CALIPER GUIDE PIN	∅ 30 x 99 mm	1
3	16003	CALIPER GUIDE PIN BOLT	M16 x 1.5 x 75 mm	1
4	16004	CALIPER GUIDE PIN BOLT	M16 x 1.5 x 105 mm	1
5	16207	CALIPER GUIDE PIN BOOT	-	2
6	16602	CALIPER GUIDE PIN BOOT RING	-	2
7	16306	CALIPER GUIDE PIN BUSHING	∅ 34 x 30 x 65 mm	1
8	16307	CALIPER GUIDE PIN BUSHING	∅ 34 x 30 x 20 mm	1
9	16407	CALIPER GUIDE PIN CAP	∅ 34 x 14 mm	2

## 152105 &gt; CALIPER GUIDE PIN BOOT REPAIR KIT



PART NO.	GW NO.	CONTENTS	DIMENSION	QTY.
1	16201	CALIPER TAPPET & BOOT ASSEMBLY	∅ 69 mm	1
2	16001	CALIPER SHEET METAL COVER SEAL	-	1
3	16305	CALIPER CALIBRATION BOLT BUSHING	∅ 18 x 16 x 10 mm	1
4	16206	CALIPER GUIDE PIN BOOT	-	1
5	16601	CALIPER GUIDE PIN BOOT RING	-	1
6	16208	CALIPER BELLOW CAP	-	1
7	16501	CALIPER BELLOW CAP CLAMP	-	1
8	16308	CALIPER GUIDE PIN RUBBER BUSHING	∅ 40 x 34 x 50 mm	1

## 150125 &gt; CALIPER GUIDE PIN BOOT REPAIR KIT



PART NO.	GW NO.	CONTENTS	DIMENSION	QTY.
1	16207	CALIPER GUIDE PIN BOOT	-	2
2	16602	CALIPER GUIDE PIN BOOT RING	-	2
3	16307	CALIPER GUIDE PIN BUSHING	∅ 34 x 30 x 20 mm	1
4	16407	CALIPER GUIDE PIN CAP	∅ 34 x 14 mm	2

## 150112 &gt; CALIPER GUIDE PIN BOOT REPAIR KIT



PART NO.	GW NO.	CONTENTS	DIMENSION	QTY.
1	16207	CALIPER GUIDE PIN BOOT	-	2
2	16602	CALIPER GUIDE PIN BOOT RING	-	2

**150109 >** CALIPER TAPPET REPAIR KIT



PART NO	GW NO	CONTENTS	DIMENSION	QTY.
1	162103	CALIPER TAPPET & BOOT ASSEMBLY	Ø 69 mm	1
2	163105	CALIPER CALIBRATION BOLT BUSHING	Ø 18 x 16 x 10 mm	1
3	170101	CALIPER SHEET METAL COVER SEAL	-	1

**150129 >** CALIPER TAPPET REPAIR KIT



PART NO	GW NO	CONTENTS	DIMENSION	QTY.
1	162103	CALIPER TAPPET & BOOT ASSEMBLY	Ø 69 mm	1
2	163105	CALIPER CALIBRATION BOLT BUSHING	Ø 18 x 16 x 10 mm	1
3	162104	CALIPER SHAFT HOUSING BOOT	Ø 69 mm	1

K001929  
K097826K50  
K146892K50

**150110 >** CALIPER TAPPET REPAIR KIT



PART NO	GW NO	CONTENTS	DIMENSION	QTY.
1	162103	CALIPER TAPPET & BOOT ASSEMBLY	Ø 69 mm	1
2	163105	CALIPER CALIBRATION BOLT BUSHING	Ø 18 x 16 x 10 mm	1

**170102 >** CALIPER SHEET METAL COVER SEAL SET



**142103 >** CALIPER BUSHING TOOL KIT



**110112** > CALIPER SENSOR COVER WITHOUT SENSOR MERCEDES-BENZ TYPE



**110113** > CALIPER SENSOR COVER WITH 2 WIRES MERCEDES-BENZ TYPE



**110114** > CALIPER SENSOR COVER WITH 3 WIRES MERCEDES-BENZ TYPE



**110129** > CALIPER SENSOR COVER WITH 3 WIRES MAN TYPE



**110139** > CALIPER SENSOR COVER WITH 3 WIRES MAN 4.5 CYCLE



**120101** > MANUAL SENSOR TEST DEVICE (BATTERY OPERATED)



**120102** > SEMI-AUTOMATIC SENSOR TEST DEVICE (ELECTRIC-POWERED)



**168104** > CALIPER SENSOR COVER GASKET



**103113** > CALIPER SENSOR COVER GEAR SHAFT SET



**111101** > CALIPER BRAKE PAD RETAINER KIT



K00003



BRAKE  
CALIPER  
REPAIR KITS

*for*  
**KNORR**

**SB6 & SB7 & SB7 RADIAL  
SN6 & SN7 & SK7 & ST6  
SL7 & SM7 & ST7 & NA7**

**101117** > CALIPER COMPLETE REPAIR SET (SB7 RADIAL +93°)



MERCEDES-BENZ CITARO  
MERCEDES-BENZ CAPACITY  
DAIMLER EVOBUS CITYBUS  
DAIMLER EVOBUS S3  
MAN LION'S CITY  
MAN NEOPLAN CENTROLINER  
DAF BUS OPTARE  
DENNIS BUS  
VAN HOOL

SB7 RADIAL +93°

PART NO	GW NO	CONTENTS	DIMENSION	QTY.
1	102101	CALIPER ADJUSTING MECHANISM SHAFT	-	1
2	102103	CALIPER ADJUSTING MECHANISM SHAFT PINION GEAR	-	1
3	104201	CALIPER SHAFT HOUSING SET	-	1
4	107116	CALIPER LEVER	93°	1
5	108101	CALIPER NEEDLE BEARING KIT	-	1
6	109101	CALIPER CALIBRATION SHAFT CHAIN	29 LINK	1
7	11111	CALIPER BRAKE PAD RETAINER KIT	h= 20 mm	1
8	150105	CALIPER TAPPET & BOOT REPAIR KIT	Ø 74 mm	1
9	151180	CALIPER GUIDE PIN & PIN BUSHING REPAIR KIT	-	1
10	161114	CALIPER COVER BOLT KIT	-	1

COMPATIBLE BRAKE CALIPER

LEFT HAND	RIGHT HAND
195502	195402
195557	195457
195558	195458
195559	195459

**101118** > CALIPER COMPLETE REPAIR SET (SN6 +5°)

MERCEDES-BENZ ATEGO 712 ... 1023  
MAN TGL 12.180



SN6 +5°

PART NO	GW NO	CONTENTS	DIMENSION	QTY.
1	102101	CALIPER ADJUSTING MECHANISM SHAFT	-	1
2	102103	CALIPER ADJUSTING MECHANISM SHAFT PINION GEAR	-	1
3	104202	CALIPER SHAFT HOUSING SET	-	1
4	107101	CALIPER LEVER 0°	0°	1
5	108102	CALIPER NEEDLE BEARING KIT	-	1
6	109101	CALIPER CALIBRATION SHAFT CHAIN	29 LINK	1
7	110106	CALIPER SHEET METAL COVER SET	-	1
8	111101	CALIPER BRAKE PAD RETAINER KIT	h= 25 mm	1
9	150101	CALIPER TAPPET & BOOT REPAIR KIT	∅ 69 mm	1
10	151181	CALIPER GUIDE PIN & PIN BUSHING REPAIR KIT	-	1

COMPATIBLE BRAKE CALIPER

LEFT HAND	RIGHT HAND	LEFT HAND	RIGHT HAND
195503	195403	195522	195422
195504	195404	195525	195425
195521	195421		

**101119** > CALIPER COMPLETE REPAIR SET (SN6 +5°)

MERCEDES-BENZ ATEGO 712 ... 1023



SN6 +5°

PART NO	GW NO	CONTENTS	DIMENSION	QTY.
1	102101	CALIPER ADJUSTING MECHANISM SHAFT	-	1
2	102103	CALIPER ADJUSTING MECHANISM SHAFT PINION GEAR	-	1
3	104202	CALIPER SHAFT HOUSING SET	-	1
4	107101	CALIPER LEVER 0°	0°	1
5	108102	CALIPER NEEDLE BEARING KIT	-	1
6	109101	CALIPER CALIBRATION SHAFT CHAIN	29 LINK	1
7	110106	CALIPER SHEET METAL COVER SET	-	1
8	111101	CALIPER BRAKE PAD RETAINER KIT	h= 25 mm	1
9	150101	CALIPER TAPPET & BOOT REPAIR KIT	∅ 69 mm	1
10	151182	CALIPER GUIDE PIN & PIN BUSHING REPAIR KIT	-	1

COMPATIBLE BRAKE CALIPER

LEFT HAND	RIGHT HAND
195523	195423
195524	195424

**101120** >> CALIPER COMPLETE REPAIR SET (SN7 0°)



- MAN LION'S CITY
- MAN LION'S CLASSIC
- MAN NEOPLAN BUS
- MAN T6A
- MAN T6S
- MAN T6X
- SCANIA 3 SERIES BUS
- SCANIA 4 SERIES BUS
- SCANIA 4 SERIES TRUCK
- SCANIA P / G / R / T SERIES
- DAIMLER EVOBUS CITYBUS
- DAF BUS SB 3000
- DAF CF 75
- DAF CF 85
- DAF LF 45
- DAF LF 55
- DAF XF 105
- DAF XF 95
- KAMAZ 5490
- TATRA EUFO
- TERBERG
- BMC ALYOS
- ZF AXLE
- GIGANTS AXLE

SN7 0°

PART NO	GW NO	CONTENTS	DIMENSION	QTY.
1	102101	CALIPER ADJUSTING MECHANISM SHAFT	-	1
2	102103	CALIPER ADJUSTING MECHANISM SHAFT PINION GEAR	-	1
3	101199	CALIPER SHAFT HOUSING SET	-	1
4	107113	CALIPER LEVER 0°	0°	1
5	108102	CALIPER NEEDLE BEARING KIT	-	1
6	109101	CALIPER CALIBRATION SHAFT CHAIN	29 LINK	1
7	110101	CALIPER SHEET METAL COVER SET	-	1
8	111111	CALIPER BRAKE PAD RETAINER KIT	h= 20 mm	1
9	150101	CALIPER TAPPET & BOOT REPAIR KIT	∅ 69 mm	1
10	151101	CALIPER GUIDE PIN & PIN BUSHING REPAIR KIT	-	1

COMPATIBLE BRAKE CALIPER

LEFT HAND	RIGHT HAND	LEFT HAND	RIGHT HAND	LEFT HAND	RIGHT HAND	LEFT HAND	RIGHT HAND
195505	195405	195526	195426	195530	195430	195534	195434
195506	195406	195527	195427	195531	195431	195535	195435
195507	195407	195528	195428	195532	195432	195555	195455
195509	195409	195529	195429	195533	195433	195556	195456

**101122** >> CALIPER COMPLETE REPAIR SET (SN7 0°)

SCANIA 4 SERIES BUS  
SCANIA 4 SERIES TRUCK  
SCANIA P / G / R / T SERIES



SN7 0°

PART NO	GW NO	CONTENTS	DIMENSION	QTY.
1	102101	CALIPER ADJUSTING MECHANISM SHAFT	-	1
2	102103	CALIPER ADJUSTING MECHANISM SHAFT PINION GEAR	-	1
3	101199	CALIPER SHAFT HOUSING SET	-	1
4	107113	CALIPER LEVER 0°	0°	1
5	108102	CALIPER NEEDLE BEARING KIT	-	1
6	109101	CALIPER CALIBRATION SHAFT CHAIN	29 LINK	1
7	110101	CALIPER SHEET METAL COVER SET	-	1
8	111111	CALIPER BRAKE PAD RETAINER KIT	h= 20 mm	1
9	150101	CALIPER TAPPET & BOOT REPAIR KIT	∅ 69 mm	1
10	151183	CALIPER GUIDE PIN & PIN BUSHING REPAIR KIT	-	1

COMPATIBLE BRAKE CALIPER

LEFT HAND	RIGHT HAND
195536	195436
195537	195437

**101125** > CALIPER COMPLETE REPAIR SET (SN7 -12°)



MERCEDES-BENZ AXOR  
MERCEDES-BENZ ACTROS  
MERCEDES-BENZ ATEGO  
MERCEDES-BENZ CITARO  
MERCEDES-BENZ CONNECTO  
SCANIA 4 SERIES TRUCK  
IVECO STRALIS  
IVECO EURO CARGO  
IRISBUS EURORIDER  
FRUEHAUF TRAILER  
ZF AXLE  
GIGANT AXLE  
SCHWITZ AXLE  
FONTENAX AXLE  
SMB AXLE

SN7 -12°

PART NO	GW NO	CONTENTS	DIMENSION	QTY.
1	102101	CALIPER ADJUSTING MECHANISM SHAFT	-	1
2	102103	CALIPER ADJUSTING MECHANISM SHAFT PINION GEAR	-	1
3	101199	CALIPER SHAFT HOUSING SET	-	1
4	107106	CALIPER LEVER 12°	12°	1
5	108102	CALIPER NEEDLE BEARING KIT	-	1
6	109101	CALIPER CALIBRATION SHAFT CHAIN	29 LINK	1
7	110101	CALIPER SHEET METAL COVER SET	-	1
8	111101	CALIPER BRAKE PAD RETAINER KIT	h= 25 mm	1
9	150101	CALIPER TAPPET & BOOT REPAIR KIT	∅ 69 mm	1
10	151101	CALIPER GUIDE PIN & PIN BUSHING REPAIR KIT	-	1

COMPATIBLE BRAKE CALIPER

LEFT HAND	RIGHT HAND	LEFT HAND	RIGHT HAND	LEFT HAND	RIGHT HAND	LEFT HAND	RIGHT HAND
195508	195408	195542	195442	195546	195446	195550	195450
195510	195410	195543	195443	195547	195447	195551	195451
195538	195438	195544	195444	195548	195448	195552	195452
195539	195439	195545	195445	195549	195449	195540	195440
195541	195441						

**101126** > CALIPER COMPLETE REPAIR SET (SK7 0°)



SK7 0°

PART NO	GW NO	CONTENTS	DIMENSION	QTY.
1	102101	CALIPER ADJUSTING MECHANISM SHAFT	-	1
2	102106	CALIPER ADJUSTING MECHANISM SHAFT PINION GEAR	-	1
3	101199	CALIPER SHAFT HOUSING SET	-	1
4	107109	CALIPER LEVER 0°	0°	1
5	108102	CALIPER NEEDLE BEARING KIT	-	1
6	109101	CALIPER CALIBRATION SHAFT CHAIN	29 LINK	1
7	110106	CALIPER SHEET METAL COVER SET	-	1
8	111101	CALIPER BRAKE PAD RETAINER KIT	h= 25 mm	1
9	150101	CALIPER TAPPET & BOOT REPAIR KIT	∅ 69 mm	1
10	151184	CALIPER GUIDE PIN & PIN BUSHING REPAIR KIT	-	1

COMPATIBLE BRAKE CALIPER

LEFT HAND	RIGHT HAND	LEFT HAND	RIGHT HAND
195511	195411	195553	195453
195512	195412	195554	195454
195513	195413		

**101127** > CALIPER COMPLETE REPAIR SET (SL7 -12°)

MERCEDES-BENZ AXOR  
MERCEDES-BENZ ACTROS



SL7 -12°

PART NO	GW NO	CONTENTS	DIMENSION	QTY.
1	102101	CALIPER ADJUSTING MECHANISM SHAFT	-	1
2	102103	CALIPER ADJUSTING MECHANISM SHAFT PINION GEAR	-	1
3	101196	CALIPER SHAFT HOUSING SET	-	1
4	107114	CALIPER LEVER 12°	12°	1
5	108107	CALIPER NEEDLE BEARING KIT	-	1
6	109101	CALIPER CALIBRATION SHAFT CHAIN	29 LINK	1
7	110106	CALIPER SHEET METAL COVER SET	-	1
8	111101	CALIPER BRAKE PAD RETAINER KIT	h= 25 mm	1
9	150113	CALIPER TAPPET & BOOT REPAIR KIT	∅ 69 mm	1
10	151181	CALIPER GUIDE PIN & PIN BUSHING REPAIR KIT	-	1

COMPATIBLE BRAKE CALIPER

LEFT HAND	RIGHT HAND
195514	195414
195560	195460

**101128** > CALIPER COMPLETE REPAIR SET (ST7 0°)

SCHMITZ TRAILER



ST7 0°

PART NO	GW NO	CONTENTS	DIMENSION	QTY.
1	102101	CALIPER ADJUSTING MECHANISM SHAFT	-	1
2	102106	CALIPER ADJUSTING MECHANISM SHAFT PINION GEAR	-	1
3	101196	CALIPER SHAFT HOUSING SET	-	1
4	107117	CALIPER LEVER	-	1
5	108107	CALIPER NEEDLE BEARING KIT	-	1
6	109101	CALIPER CALIBRATION SHAFT CHAIN	29 LINK	1
7	110101	CALIPER SHEET METAL COVER SET	-	1
8	111101	CALIPER BRAKE PAD RETAINER KIT	h= 25 mm	1
9	150113	CALIPER TAPPET & BOOT REPAIR KIT	∅ 69 mm	1
10	151184	CALIPER GUIDE PIN & PIN BUSHING REPAIR KIT	-	1

COMPATIBLE BRAKE CALIPER

LEFT HAND	RIGHT HAND
195515	195415

**101176 > CALIPER REPAIR SET**

MERCEDES BENZ AXOR OLD MODEL



SB6 / SB7

PART NO	GW NO	CONTENTS	DIMENSION	QTY.
1	10210R	CALIPER ADJUSTING MECHANISM SHAFT	-	1
2	10210L1	CALIPER ADJUSTING MECHANISM SHAFT PINION GEAR	-	1
3	10410R	CALIPER SHAFT HOUSING SET	-	1
4	101802	CALIPER NEEDLE BEARING KIT	-	1
5	10190R	CALIPER CALIBRATION SHAFT CHAIN	29 LINK	1
6	158005	CALIPER TAPPET & BOOT REPAIR KIT	Ø 74 mm	1
7	158007	CALIPER GUIDE PIN & PIN BUSHING REPAIR KIT	-	1
8	16801	CALIPER CALIBRATION BOLT	3 THREAD	2

**101209 > CALIPER REPAIR SET**

MAN T6A NEW MODEL



SB6 / SB7

PART NO	GW NO	CONTENTS	DIMENSION	QTY.
1	10210R	CALIPER ADJUSTING MECHANISM SHAFT	-	1
2	10210L1	CALIPER ADJUSTING MECHANISM SHAFT PINION GEAR	-	1
3	10410R	CALIPER SHAFT HOUSING SET	-	1
4	101801	CALIPER NEEDLE BEARING KIT	-	1
5	10190R	CALIPER CALIBRATION SHAFT CHAIN	29 LINK	1
6	158005	CALIPER TAPPET & BOOT REPAIR KIT	Ø 74 mm	1
7	158007	CALIPER GUIDE PIN & PIN BUSHING REPAIR KIT	-	1
8	16801	CALIPER CALIBRATION BOLT	3 THREAD	2

**101102 > CALIPER REPAIR SET**



SB6

PART NO	GW NO	CONTENTS	DIMENSION	QTY.
1	10210R	CALIPER ADJUSTING MECHANISM SHAFT	-	1
2	10210L1	CALIPER ADJUSTING MECHANISM SHAFT PINION GEAR	-	1
3	10410R	CALIPER SHAFT HOUSING SET	-	1
4	101802	CALIPER LEVER 0°	0°	1
5	101801	CALIPER NEEDLE BEARING KIT	-	1
6	10190R	CALIPER CALIBRATION SHAFT CHAIN	29 LINK	1
7	158005	CALIPER TAPPET & BOOT REPAIR KIT	Ø 74 mm	1
8	16801	CALIPER CALIBRATION BOLT	3 THREAD	2

**101109 > CALIPER REPAIR SET**



SB7

PART NO	GW NO	CONTENTS	DIMENSION	QTY.
1	102101	CALIPER ADJUSTING MECHANISM SHAFT	-	1
2	102103	CALIPER ADJUSTING MECHANISM SHAFT PINION GEAR	-	1
3	104001	CALIPER SHAFT HOUSING SET	-	1
4	107104	CALIPER LEVER 12°	12°	1
5	101001	CALIPER NEEDLE BEARING KIT	-	1
6	109001	CALIPER CALIBRATION SHAFT CHAIN	29 LINK	1
7	151005	CALIPER TAPPET & BOOT REPAIR KIT	Ø 74 mm	1
8	161001	CALIPER CALIBRATION BOLT	3 THREAD	2

**101105 > CALIPER REPAIR SET**



SB7

PART NO	GW NO	CONTENTS	DIMENSION	QTY.
1	102101	CALIPER ADJUSTING MECHANISM SHAFT	-	1
2	102103	CALIPER ADJUSTING MECHANISM SHAFT PINION GEAR	-	1
3	104001	CALIPER SHAFT HOUSING SET	-	1
4	107105	CALIPER LEVER 12°	12°	1
5	101001	CALIPER NEEDLE BEARING KIT	-	1
6	109001	CALIPER CALIBRATION SHAFT CHAIN	29 LINK	1
7	151005	CALIPER TAPPET & BOOT REPAIR KIT	Ø 74 mm	1
8	161001	CALIPER CALIBRATION BOLT	3 THREAD	2

**101145 > CALIPER REPAIR SET**



SB7

PART NO	GW NO	CONTENTS	DIMENSION	QTY.
1	102101	CALIPER ADJUSTING MECHANISM SHAFT	-	1
2	102103	CALIPER ADJUSTING MECHANISM SHAFT PINION GEAR	-	1
3	104001	CALIPER SHAFT HOUSING SET	-	1
4	107107	CALIPER LEVER 0°	0°	1
5	101001	CALIPER NEEDLE BEARING KIT	-	1
6	109001	CALIPER CALIBRATION SHAFT CHAIN	29 LINK	1
7	151005	CALIPER TAPPET & BOOT REPAIR KIT	Ø 74 mm	1
8	161001	CALIPER CALIBRATION BOLT	3 THREAD	2

**101212 > CALIPER REPAIR SET**



**SB6 / SB7 / SN6 / SN7 / SL7 / SM7**

PART NO	GW NO	CONTENTS	DIMENSION	QTY.
1	102108	CALIPER ADJUSTING MECHANISM SHAFT	-	1
2	102103	CALIPER ADJUSTING MECHANISM SHAFT PINION GEAR	-	1
3	104402	CALIPER SHAFT HOUSING SET	-	1
4	103801	CALIPER NEEDLE BEARING KIT	-	1
5	103908	CALIPER CALIBRATION SHAFT CHAIN	29 LINK	1
6	104001	CALIPER SHEET METAL COVER SET	-	1
7	158108	CALIPER TAPPET & BOOT REPAIR KIT	∅ 69 mm	1
8	158107	CALIPER GUIDE PIN & PIN BUSHING REPAIR KIT	-	1
9	104001	CALIPER CALIBRATION BOLT	3 THREAD	2

**101124 > CALIPER REPAIR SET**



**SB7**

PART NO	GW NO	CONTENTS	DIMENSION	QTY.
1	102108	CALIPER ADJUSTING MECHANISM SHAFT	-	1
2	102103	CALIPER ADJUSTING MECHANISM SHAFT PINION GEAR	-	1
3	104402	CALIPER SHAFT HOUSING SET	-	1
4	103704	CALIPER LEVER 12°	12°	1
5	103802	CALIPER NEEDLE BEARING KIT	-	1
6	103908	CALIPER CALIBRATION SHAFT CHAIN	29 LINK	1
7	158108	CALIPER TAPPET & BOOT REPAIR KIT	∅ 69 mm	1
8	104001	CALIPER CALIBRATION BOLT	3 THREAD	2

**101211 > CALIPER REPAIR SET**



**SN7**

PART NO	GW NO	CONTENTS	DIMENSION	QTY.
1	102108	CALIPER ADJUSTING MECHANISM SHAFT	-	1
2	102103	CALIPER ADJUSTING MECHANISM SHAFT PINION GEAR	-	1
3	104403	CALIPER SHAFT HOUSING SET	-	1
4	103703	CALIPER LEVER 0°	0°	1
5	103802	CALIPER NEEDLE BEARING KIT	-	1
6	103908	CALIPER CALIBRATION SHAFT CHAIN	29 LINK	1
7	104001	CALIPER SHEET METAL COVER SET	-	1
8	158108	CALIPER TAPPET & BOOT REPAIR KIT	∅ 69 mm	1
9	158107	CALIPER GUIDE PIN & PIN BUSHING REPAIR KIT	-	1
10	104001	CALIPER CALIBRATION BOLT	3 THREAD	2

**101175 > CALIPER REPAIR SET**



**SB6 / SB7**

PART NO	GW NO	CONTENTS	DIMENSION	QTY.
1	102101	CALIPER ADJUSTING MECHANISM SHAFT	-	1
2	102103	CALIPER ADJUSTING MECHANISM SHAFT PINION GEAR	-	1
3	104103	CALIPER SHAFT HOUSING SET	-	1
4	108101	CALIPER NEEDLE BEARING KIT	-	1
5	109101	CALIPER CALIBRATION SHAFT CHAIN	29 LINK	1
6	110101	CALIPER SHEET METAL COVER SET	-	1
7	150101	CALIPER TAPPET & BOOT REPAIR KIT	∅ 69 mm	1
8	151102	CALIPER GUIDE PIN & PIN BUSHING REPAIR KIT	-	1
9	161101	CALIPER CALIBRATION BOLT	3 THREAD	2

**101166 > CALIPER REPAIR SET**



**SN7 / SK7**

PART NO	GW NO	CONTENTS	DIMENSION	QTY.
1	102101	CALIPER ADJUSTING MECHANISM SHAFT	-	1
2	102103	CALIPER ADJUSTING MECHANISM SHAFT PINION GEAR	-	1
3	104103	CALIPER SHAFT HOUSING SET	-	1
4	108102	CALIPER NEEDLE BEARING KIT	-	1
5	109101	CALIPER CALIBRATION SHAFT CHAIN	29 LINK	1
6	150101	CALIPER TAPPET & BOOT REPAIR KIT	∅ 69 mm	1
7	151129	CALIPER GUIDE PIN & PIN BUSHING REPAIR KIT	-	1
8	161101	CALIPER CALIBRATION BOLT	3 THREAD	2

**101163** > CALIPER REPAIR SET



**SB6 / SB7**

PART NO	GW NO	CONTENTS	DIMENSION	QTY.
1	102101	CALIPER ADJUSTING MECHANISM SHAFT	-	1
2	102103	CALIPER ADJUSTING MECHANISM SHAFT PINION GEAR	-	1
3	104101	CALIPER SHAFT HOUSING SET	-	1
4	108101	CALIPER NEEDLE BEARING KIT	-	1
5	109101	CALIPER CALIBRATION SHAFT CHAIN	29 LINK	1
6	150105	CALIPER TAPPET & BOOT REPAIR KIT	∅ 74 mm	1
7	151125	CALIPER GUIDE PIN & PIN BUSHING REPAIR KIT	-	1
8	161101	CALIPER CALIBRATION BOLT	3 THREAD	2

**101165** > CALIPER REPAIR SET



**SN6 / SN7**

PART NO	GW NO	CONTENTS	DIMENSION	QTY.
1	102101	CALIPER ADJUSTING MECHANISM SHAFT	-	1
2	102103	CALIPER ADJUSTING MECHANISM SHAFT PINION GEAR	-	1
3	104102	CALIPER SHAFT HOUSING SET	-	1
4	108102	CALIPER NEEDLE BEARING KIT	-	1
5	109101	CALIPER CALIBRATION SHAFT CHAIN	29 LINK	1
6	150101	CALIPER TAPPET & BOOT REPAIR KIT	∅ 69 mm	1
7	151125	CALIPER GUIDE PIN & PIN BUSHING REPAIR KIT	-	1
8	161101	CALIPER CALIBRATION BOLT	3 THREAD	2

**101164 > CALIPER REPAIR SET**



MERCEDES-BENZ CITARO  
MERCEDES-BENZ CAPACITY  
DAIMLER EVOBUS CITYBUS  
DAIMLER EVOBUS S3  
MAN LION'S CITY  
MAN NEOPLAN CENTROLINER  
DAF BUS OPTARE  
DENNIS BUS  
VAN HOOL

**SB7 RADIAL**

PART NO	GW NO	CONTENTS	DIMENSION	QTY.
1	102101	CALIPER ADJUSTING MECHANISM SHAFT	-	1
2	102103	CALIPER ADJUSTING MECHANISM SHAFT PINION GEAR	-	1
3	104101	CALIPER SHAFT HOUSING SET	-	1
4	107116	CALIPER LEVER	93°	1
5	108101	CALIPER NEEDLE BEARING KIT	-	1
6	109101	CALIPER CALIBRATION SHAFT CHAIN	29 LINK	1
7	150105	CALIPER TAPPET & BOOT REPAIR KIT	∅ 74 mm	1
8	161101	CALIPER CALIBRATION BOLT	3 THREAD	2

**101187 > CALIPER REPAIR SET**



SCANIA 4 Series TRUCK  
SCANIA 4 Series BUS  
SCANIA 3 Series BUS

**SB7 RADIAL**

PART NO	GW NO	CONTENTS	DIMENSION	QTY.
1	102101	CALIPER ADJUSTING MECHANISM SHAFT	-	1
2	102103	CALIPER ADJUSTING MECHANISM SHAFT PINION GEAR	-	1
3	104101	CALIPER SHAFT HOUSING SET	-	1
4	107115	CALIPER LEVER	86°	1
5	108101	CALIPER NEEDLE BEARING KIT	-	1
6	109101	CALIPER CALIBRATION SHAFT CHAIN	29 LINK	1
7	150105	CALIPER TAPPET & BOOT REPAIR KIT	∅ 74 mm	1
8	161101	CALIPER CALIBRATION BOLT	3 THREAD	2

**101161** > CALIPER REPAIR SET



SNG / SN7

PART NO	GW NO	CONTENTS	DIMENSION	QTY.
1	10210R	CALIPER ADJUSTING MECHANISM SHAFT	-	1
2	10210L1	CALIPER ADJUSTING MECHANISM SHAFT PINION GEAR	-	1
3	10110R	CALIPER SHAFT HOUSING SET	-	1
4	101002	CALIPER NEEDLE BEARING KIT	-	1
5	10110R	CALIPER CALIBRATION SHAFT CHAIN	29 LINK	1
6	101006	CALIPER SHEET METAL COVER SET	-	1
7	151010	CALIPER TAPPET & BOOT REPAIR KIT	∅ 69 mm	1
8	151001	CALIPER GUIDE PIN & PIN BUSHING REPAIR KIT	-	1

**101121** > CALIPER REPAIR SET



SNG

PART NO	GW NO	CONTENTS	DIMENSION	QTY.
1	10210R	CALIPER ADJUSTING MECHANISM SHAFT	-	1
2	10210L1	CALIPER ADJUSTING MECHANISM SHAFT PINION GEAR	-	1
3	104102	CALIPER SHAFT HOUSING SET	-	1
4	103701	CALIPER LEVER 0°	0°	1
5	101002	CALIPER NEEDLE BEARING KIT	-	1
6	10110R	CALIPER CALIBRATION SHAFT CHAIN	29 LINK	1
7	151010	CALIPER TAPPET & BOOT REPAIR KIT	∅ 69 mm	1
8	104001	CALIPER CALIBRATION BOLT	3 THREAD	2

**101200** > CALIPER REPAIR SET



SNG / SN7 / SK7

PART NO	GW NO	CONTENTS	DIMENSION	QTY.
1	10210R	CALIPER ADJUSTING MECHANISM SHAFT	-	1
2	10210L1	CALIPER ADJUSTING MECHANISM SHAFT PINION GEAR	-	1
3	104102	CALIPER SHAFT HOUSING SET	-	1
4	101002	CALIPER NEEDLE BEARING KIT	-	1
5	10110R	CALIPER CALIBRATION SHAFT CHAIN	29 LINK	1
6	101001	CALIPER SHEET METAL COVER SET	-	1
7	151010	CALIPER TAPPET & BOOT REPAIR KIT	∅ 69 mm	1
8	151001	CALIPER GUIDE PIN & PIN BUSHING REPAIR KIT	-	1
9	104001	CALIPER CALIBRATION BOLT	3 THREAD	2

**101208** > CALIPER REPAIR SET

MERCEDES-BENZ AXDR  
(NEW MODEL)



SNG / SN7 / SK7

PART NO	GW NO	CONTENTS	DIMENSION	QTY.
1	10200	CALIPER ADJUSTING MECHANISM SHAFT	-	1
2	102001	CALIPER ADJUSTING MECHANISM SHAFT PINION GEAR	-	1
3	104002	CALIPER SHAFT HOUSING SET	-	1
4	108002	CALIPER NEEDLE BEARING KIT	-	1
5	109001	CALIPER CALIBRATION SHAFT CHAIN	29 LINK	1
6	150001	CALIPER TAPPET & BOOT REPAIR KIT	Ø 69 mm	1
7	154001	CALIPER GUIDE PIN & PIN BUSHING REPAIR KIT	-	1
8	16801	CALIPER CALIBRATION BOLT	3 THREAD	2

**101174** > CALIPER REPAIR SET



SNG

PART NO	GW NO	CONTENTS	DIMENSION	QTY.
1	10200	CALIPER ADJUSTING MECHANISM SHAFT	-	1
2	102001	CALIPER ADJUSTING MECHANISM SHAFT PINION GEAR	-	1
3	104002	CALIPER SHAFT HOUSING SET	-	1
4	107001	CALIPER LEVER 0°	0°	1
5	108001	CALIPER NEEDLE BEARING KIT	-	1
6	109001	CALIPER CALIBRATION SHAFT CHAIN	29 LINK	1
7	150001	CALIPER TAPPET & BOOT REPAIR KIT	Ø 69 mm	1
8	16801	CALIPER CALIBRATION BOLT	3 THREAD	2

**101156** > CALIPER REPAIR SET



SNG / SN7 / SK7

PART NO	GW NO	CONTENTS	DIMENSION	QTY.
1	10200	CALIPER ADJUSTING MECHANISM SHAFT	-	1
2	102001	CALIPER ADJUSTING MECHANISM SHAFT PINION GEAR	-	1
3	104002	CALIPER SHAFT HOUSING SET	-	1
4	108002	CALIPER NEEDLE BEARING KIT	-	1
5	109001	CALIPER CALIBRATION SHAFT CHAIN	29 LINK	1
6	10806	CALIPER SHEET METAL COVER SET	-	1
7	150001	CALIPER TAPPET & BOOT REPAIR KIT	Ø 69 mm	1
8	154002	CALIPER GUIDE PIN & PIN BUSHING REPAIR KIT	-	1
9	16801	CALIPER CALIBRATION BOLT	3 THREAD	2

**101170 > CALIPER REPAIR SET**



**SNG / SN7 / SK7**

PART NO	GW NO	CONTENTS	DIMENSION	QTY.
1	102100	CALIPER ADJUSTING MECHANISM SHAFT	-	1
2	102103	CALIPER ADJUSTING MECHANISM SHAFT PINION GEAR	-	1
3	104003	CALIPER SHAFT HOUSING SET	-	1
4	101802	CALIPER NEEDLE BEARING KIT	-	1
5	101900	CALIPER CALIBRATION SHAFT CHAIN	29 LINK	1
6	101806	CALIPER SHEET METAL COVER SET	-	1
7	151000	CALIPER TAPPET & BOOT REPAIR KIT	∅ 69 mm	1
8	151000	CALIPER GUIDE PIN & PIN BUSHING REPAIR KIT	-	1
9	104001	CALIPER CALIBRATION BOLT	3 THREAD	2

**101201 > CALIPER REPAIR SET**

SCANIA 4 SERIES TRUCK



**SNG / SN7 / SK7**

PART NO	GW NO	CONTENTS	DIMENSION	QTY.
1	102100	CALIPER ADJUSTING MECHANISM SHAFT	-	1
2	102103	CALIPER ADJUSTING MECHANISM SHAFT PINION GEAR	-	1
3	104003	CALIPER SHAFT HOUSING SET	-	1
4	101802	CALIPER NEEDLE BEARING KIT	-	1
5	101900	CALIPER CALIBRATION SHAFT CHAIN	29 LINK	1
6	101800	CALIPER SHEET METAL COVER SET	-	1
7	151000	CALIPER TAPPET & BOOT REPAIR KIT	∅ 69 mm	1
8	151000	CALIPER GUIDE PIN & PIN BUSHING REPAIR KIT	-	1
9	104001	CALIPER CALIBRATION BOLT	3 THREAD	2

**101202 > CALIPER REPAIR SET**

MERCEDES-BENZ ACTROS (OLD MODEL)



**SNG / SN7**

PART NO	GW NO	CONTENTS	DIMENSION	QTY.
1	102100	CALIPER ADJUSTING MECHANISM SHAFT	-	1
2	102103	CALIPER ADJUSTING MECHANISM SHAFT PINION GEAR	-	1
3	104003	CALIPER SHAFT HOUSING SET	-	1
4	101802	CALIPER NEEDLE BEARING KIT	-	1
5	101900	CALIPER CALIBRATION SHAFT CHAIN	29 LINK	1
6	101800	CALIPER SHEET METAL COVER SET	-	1
7	151000	CALIPER TAPPET & BOOT REPAIR KIT	∅ 69 mm	1
8	151000	CALIPER GUIDE PIN & PIN BUSHING REPAIR KIT	-	1
9	104001	CALIPER CALIBRATION BOLT	3 THREAD	2

**101221 > CALIPER REPAIR SET**



**SN7**

PART NO	GW NO	CONTENTS	DIMENSION	QTY.
1	10200	CALIPER ADJUSTING MECHANISM SHAFT	-	1
2	102001	CALIPER ADJUSTING MECHANISM SHAFT PINION GEAR	-	1
3	104001	CALIPER SHAFT HOUSING SET	-	1
4	101002	CALIPER NEEDLE BEARING KIT	-	1
5	105000	CALIPER CALIBRATION SHAFT CHAIN	29 LINK	1
6	101001	CALIPER SHEET METAL COVER SET	-	1
7	150001	CALIPER TAPPET & BOOT REPAIR KIT	Ø 69 mm	1
8	154007	CALIPER GUIDE PIN & PIN BUSHING REPAIR KIT	-	1
9	161001	CALIPER CALIBRATION BOLT	3 THREAD	2

**101228 > CALIPER REPAIR SET**



**SN7 / SK7**

PART NO	GW NO	CONTENTS	DIMENSION	QTY.
1	10200	CALIPER ADJUSTING MECHANISM SHAFT	-	1
2	102001	CALIPER ADJUSTING MECHANISM SHAFT PINION GEAR	-	1
3	104001	CALIPER SHAFT HOUSING SET	-	1
4	101002	CALIPER NEEDLE BEARING KIT	-	1
5	105000	CALIPER CALIBRATION SHAFT CHAIN	29 LINK	1
6	150001	CALIPER TAPPET & BOOT REPAIR KIT	Ø 69 mm	1
7	161001	CALIPER CALIBRATION BOLT	3 THREAD	2

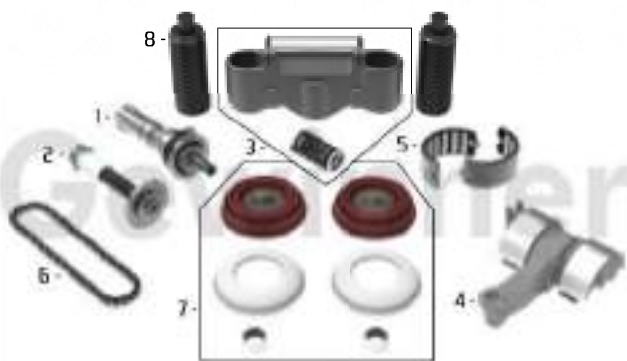
**101172 > CALIPER REPAIR SET**



**SN7**

PART NO	GW NO	CONTENTS	DIMENSION	QTY.
1	10200	CALIPER ADJUSTING MECHANISM SHAFT	-	1
2	102001	CALIPER ADJUSTING MECHANISM SHAFT PINION GEAR	-	1
3	104002	CALIPER SHAFT HOUSING SET	-	1
4	107001	CALIPER LEVER 12°	12°	1
5	101002	CALIPER NEEDLE BEARING KIT	-	1
6	105000	CALIPER CALIBRATION SHAFT CHAIN	29 LINK	1
7	150001	CALIPER TAPPET & BOOT REPAIR KIT	Ø 69 mm	1
8	154122	CALIPER GUIDE PIN & PIN BUSHING REPAIR KIT	-	1
9	161001	CALIPER CALIBRATION BOLT	3 THREAD	2

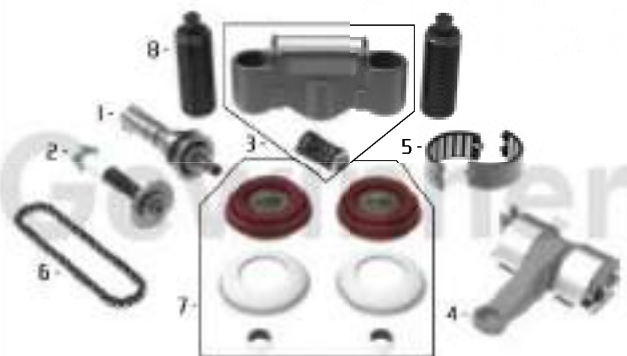
**101146** > CALIPER REPAIR SET



SN7

PART NO	GW NO	CONTENTS	DIMENSION	QTY.
1	102101	CALIPER ADJUSTING MECHANISM SHAFT	-	1
2	102103	CALIPER ADJUSTING MECHANISM SHAFT PINION GEAR	-	1
3	104402	CALIPER SHAFT HOUSING SET	-	1
4	107104	CALIPER LEVER 12°	12°	1
5	101802	CALIPER NEEDLE BEARING KIT	-	1
6	101910	CALIPER CALIBRATION SHAFT CHAIN	29 LINK	1
7	151010	CALIPER TAPPET & BOOT REPAIR KIT	∅ 69 mm	1
8	161001	CALIPER CALIBRATION BOLT	3 THREAD	2

**101123** > CALIPER REPAIR SET



SN7

PART NO	GW NO	CONTENTS	DIMENSION	QTY.
1	102101	CALIPER ADJUSTING MECHANISM SHAFT	-	1
2	102103	CALIPER ADJUSTING MECHANISM SHAFT PINION GEAR	-	1
3	104402	CALIPER SHAFT HOUSING SET	-	1
4	107102	CALIPER LEVER 0°	0°	1
5	101802	CALIPER NEEDLE BEARING KIT	-	1
6	101910	CALIPER CALIBRATION SHAFT CHAIN	29 LINK	1
7	151010	CALIPER TAPPET & BOOT REPAIR KIT	∅ 69 mm	1
8	161001	CALIPER CALIBRATION BOLT	3 THREAD	2

**101215** > CALIPER REPAIR SET



SN7 / SK7 / SM7 / ST7

PART NO	GW NO	CONTENTS	DIMENSION	QTY.
1	102101	CALIPER ADJUSTING MECHANISM SHAFT	-	1
2	102103	CALIPER ADJUSTING MECHANISM SHAFT PINION GEAR	-	1
3	104403	CALIPER SHAFT HOUSING SET	-	1
4	101802	CALIPER NEEDLE BEARING KIT	-	1
5	101910	CALIPER CALIBRATION SHAFT CHAIN	29 LINK	1
6	101910	CALIPER SHEET METAL COVER SET	-	1
7	1510210	CALIPER TAPPET & BOOT REPAIR KIT	∅ 69 mm	1
8	1510210	CALIPER GUIDE PIN & PIN BUSHING REPAIR KIT	-	1
9	161001	CALIPER CALIBRATION BOLT	3 THREAD	2

**101144** > CALIPER REPAIR SET



SN7

PART NO	GW NO	CONTENTS	DIMENSION	QTY.
1	102101	CALIPER ADJUSTING MECHANISM SHAFT	-	1
2	102103	CALIPER ADJUSTING MECHANISM SHAFT PINION GEAR	-	1
3	104103	CALIPER SHAFT HOUSING SET	-	1
4	107105	CALIPER LEVER 12°	12°	1
5	101002	CALIPER NEEDLE BEARING KIT	-	1
6	109000	CALIPER CALIBRATION SHAFT CHAIN	29 LINK	1
7	150000	CALIPER TAPPET & BOOT REPAIR KIT	Ø 69 mm	1
8	161001	CALIPER CALIBRATION BOLT	3 THREAD	2

**101148** > CALIPER REPAIR SET



SN7

PART NO	GW NO	CONTENTS	DIMENSION	QTY.
1	102101	CALIPER ADJUSTING MECHANISM SHAFT	-	1
2	102103	CALIPER ADJUSTING MECHANISM SHAFT PINION GEAR	-	1
3	104103	CALIPER SHAFT HOUSING SET	-	1
4	107102	CALIPER LEVER 0°	0°	1
5	101002	CALIPER NEEDLE BEARING KIT	-	1
6	109000	CALIPER CALIBRATION SHAFT CHAIN	29 LINK	1
7	150000	CALIPER TAPPET & BOOT REPAIR KIT	Ø 69 mm	1
8	161001	CALIPER CALIBRATION BOLT	3 THREAD	2

**101147** > CALIPER REPAIR SET



SK7

PART NO	GW NO	CONTENTS	DIMENSION	QTY.
1	102100	CALIPER ADJUSTING MECHANISM SHAFT	-	1
2	102103	CALIPER ADJUSTING MECHANISM SHAFT PINION GEAR	-	1
3	104103	CALIPER SHAFT HOUSING SET	-	1
4	107104	CALIPER LEVER 0°	0°	1
5	101002	CALIPER NEEDLE BEARING KIT	-	1
6	109000	CALIPER CALIBRATION SHAFT CHAIN	29 LINK	1
7	150000	CALIPER TAPPET & BOOT REPAIR KIT	Ø 69 mm	1
8	161001	CALIPER CALIBRATION BOLT	3 THREAD	2

**101171 > CALIPER REPAIR SET**



**SL7**

PART NO	GW NO	CONTENTS	DIMENSION	QTY.
1	102101	CALIPER ADJUSTING MECHANISM SHAFT	-	1
2	102106	CALIPER ADJUSTING MECHANISM SHAFT PINION GEAR	-	1
3	104071	CALIPER SHAFT HOUSING SET	-	1
4	101017	CALIPER NEEDLE BEARING KIT	-	1
5	101908	CALIPER CALIBRATION SHAFT CHAIN	29 LINK	1
6	110006	CALIPER SHEET METAL COVER SET	-	1
7	154011	CALIPER TAPPET & BOOT REPAIR KIT	∅ 69 mm	1
8	154017	CALIPER GUIDE PIN & PIN BUSHING REPAIR KIT	-	1
9	164011	CALIPER CALIBRATION BOLT	3 THREAD	2

**101167 > CALIPER REPAIR SET**



**SL7 / SM7**

PART NO	GW NO	CONTENTS	DIMENSION	QTY.
1	102101	CALIPER ADJUSTING MECHANISM SHAFT	-	1
2	102106	CALIPER ADJUSTING MECHANISM SHAFT PINION GEAR	-	1
3	104011	CALIPER SHAFT HOUSING SET	-	1
4	101017	CALIPER NEEDLE BEARING KIT	-	1
5	101908	CALIPER CALIBRATION SHAFT CHAIN	29 LINK	1
6	154011	CALIPER TAPPET & BOOT REPAIR KIT	∅ 69 mm	1
7	154017	CALIPER GUIDE PIN & PIN BUSHING REPAIR KIT	-	1
8	164011	CALIPER CALIBRATION BOLT	3 THREAD	2

**101149 > CALIPER REPAIR SET**



**SL7 / SM7 / ST7**

PART NO	GW NO	CONTENTS	DIMENSION	QTY.
1	102101	CALIPER ADJUSTING MECHANISM SHAFT	-	1
2	102106	CALIPER ADJUSTING MECHANISM SHAFT PINION GEAR	-	1
3	104011	CALIPER SHAFT HOUSING SET	-	1
4	101104	CALIPER LEVER 12°	12°	1
5	101017	CALIPER NEEDLE BEARING KIT	-	1
6	101908	CALIPER CALIBRATION SHAFT CHAIN	29 LINK	1
7	154011	CALIPER TAPPET & BOOT REPAIR KIT	∅ 69 mm	1
8	164011	CALIPER CALIBRATION BOLT	3 THREAD	2

**101108 > CALIPER REPAIR SET**



**SL7500 / SL7510**

PART NO	GW NO	CONTENTS	DIMENSION	QTY.
1	102101	CALIPER ADJUSTING MECHANISM SHAFT	-	1
2	102106	CALIPER ADJUSTING MECHANISM SHAFT PINION GEAR	-	1
3	104103	CALIPER SHAFT HOUSING SET	-	1
4	108107	CALIPER NEEDLE BEARING KIT	-	1
5	109101	CALIPER CALIBRATION SHAFT CHAIN	29 LINK	1
6	110127	CALIPER SHEET METAL COVER	-	1
7	150117	CALIPER TAPPET & BOOT REPAIR KIT	Ø 69 mm	1
8	151107	CALIPER GUIDE PIN & PIN BUSHING REPAIR KIT	-	1
9	161123	CALIPER CALIBRATION BOLT	3 THREAD	2

**101205 > CALIPER REPAIR SET**



**SL7 / SM7**

PART NO	GW NO	CONTENTS	DIMENSION	QTY.
1	102101	CALIPER ADJUSTING MECHANISM SHAFT	-	1
2	102106	CALIPER ADJUSTING MECHANISM SHAFT PINION GEAR	-	1
3	104103	CALIPER SHAFT HOUSING SET	-	1
4	108107	CALIPER NEEDLE BEARING KIT	-	1
5	109101	CALIPER CALIBRATION SHAFT CHAIN	29 LINK	1
6	110101	CALIPER SHEET METAL COVER SET	-	1
7	150113	CALIPER TAPPET & BOOT REPAIR KIT	Ø 69 mm	1
8	151107	CALIPER GUIDE PIN & PIN BUSHING REPAIR KIT	-	1
9	161113	CALIPER CALIBRATION BOLT	3 THREAD	2

**101206** > CALIPER REPAIR SET



ST7

PART NO	GW NO	CONTENTS	DIMENSION	QTY.
1	102101	CALIPER ADJUSTING MECHANISM SHAFT	-	1
2	102106	CALIPER ADJUSTING MECHANISM SHAFT PINION GEAR	-	1
3	104103	CALIPER SHAFT HOUSING SET	-	1
4	108107	CALIPER NEEDLE BEARING KIT	-	1
5	109101	CALIPER CALIBRATION SHAFT CHAIN	29 LINK	1
6	110101	CALIPER SHEET METAL COVER SET	-	1
7	150113	CALIPER TAPPET & BOOT REPAIR KIT	∅ 69 mm	1
8	151170	CALIPER GUIDE PIN & PIN BUSHING REPAIR KIT	-	1
9	161113	CALIPER CALIBRATION BOLT	3 THREAD	2

**101203** > CALIPER REPAIR SET



ST7

PART NO	GW NO	CONTENTS	DIMENSION	QTY.
1	102101	CALIPER ADJUSTING MECHANISM SHAFT	-	1
2	102106	CALIPER ADJUSTING MECHANISM SHAFT PINION GEAR	-	1
3	104103	CALIPER SHAFT HOUSING SET	-	1
4	107117	CALIPER LEVER	-	1
5	108107	CALIPER NEEDLE BEARING KIT	-	1
6	109101	CALIPER CALIBRATION SHAFT CHAIN	29 LINK	1
7	150113	CALIPER TAPPET & BOOT REPAIR KIT	∅ 69 mm	1
8	161113	CALIPER CALIBRATION BOLT	3 THREAD	2

SB6 & SB7 & SN6 & SN7 & SK7 & ST6 & SL7 & SM7 & ST7 & NA7

**101197** > CALIPER SHAFT HOUSING SET



SB6 / SB7 / SB7 RADIAL

PART NO	GW NO	CONTENTS	DIMENSION	QTY.
1	11102	PIN CLAMP	-	2
2	12101	CALIPER SHAFT HOUSING	-	1
3	16101	CALIPER CALIBRATION BOLT	3 THREAD	2
4	16301	CALIPER LEVER BUSHING	-	1
5	17201	CALIPER SHAFT HOUSING SPRING	-	1
6	18101	CALIPER SHAFT HOUSING / LEVER BEARING	-	1

**104201** > CALIPER SHAFT HOUSING SET



SB6 / SB7 / SB7 RADIAL

PART NO	GW NO	CONTENTS	DIMENSION	QTY.
1	11102	PIN CLAMP	-	2
2	12101	CALIPER SHAFT HOUSING	-	1
3	16101	CALIPER CALIBRATION BOLT	3 THREAD	2
4	17201	CALIPER SHAFT HOUSING SPRING	-	1
5	18101	CALIPER SHAFT HOUSING / LEVER BEARING	-	1

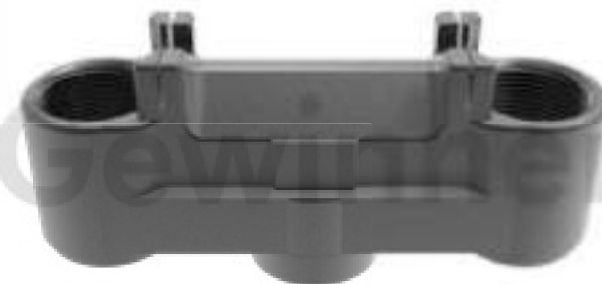
**104101** > CALIPER SHAFT HOUSING SET



SB6 / SB7 / SB7 RADIAL

PART NO	GW NO	CONTENTS	DIMENSION	QTY.
1	11102	PIN CLAMP	-	2
2	112101	CALIPER SHAFT HOUSING	-	1
3	172101	CALIPER SHAFT HOUSING SPRING	-	1
4	18101	CALIPER SHAFT HOUSING / LEVER BEARING	-	1

**112101** > CALIPER SHAFT HOUSING



SB6 / SB7 / SB7 RADIAL

**010101** > GREASE



**101198** > CALIPER SHAFT HOUSING SET



SN7

PART NO	GW NO	CONTENTS	DIMENSION	QTY.
1	11102	PIN CLAMP	-	2
2	112102	CALIPER SHAFT HOUSING	-	1
3	161101	CALIPER CALIBRATION BOLT	3 THREAD	2
4	161101	CALIPER LEVER BUSHING	-	1
5	172101	CALIPER SHAFT HOUSING SPRING	-	1
6	181001	CALIPER SHAFT HOUSING / LEVER BEARING	-	1

**104202** > CALIPER SHAFT HOUSING SET



SN7

PART NO	GW NO	CONTENTS	DIMENSION	QTY.
1	11102	PIN CLAMP	-	2
2	112102	CALIPER SHAFT HOUSING	-	1
3	161101	CALIPER CALIBRATION BOLT	3 THREAD	2
4	172101	CALIPER SHAFT HOUSING SPRING	-	1
5	181001	CALIPER SHAFT HOUSING / LEVER BEARING	-	1

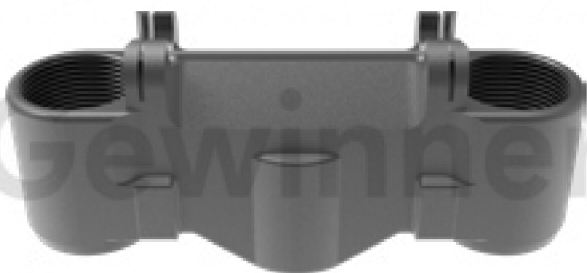
**104102** > CALIPER SHAFT HOUSING SET



SN6 / SN7 / SK7

PART NO	GW NO	CONTENTS	DIMENSION	QTY.
1	11102	PIN CLAMP	-	2
2	112102	CALIPER SHAFT HOUSING	-	1
3	172101	CALIPER SHAFT HOUSING SPRING	-	1
4	181001	CALIPER SHAFT HOUSING / LEVER BEARING	-	1

**112102** > CALIPER SHAFT HOUSING



SN6 / SN7

**158101** > SHAFT HOUSING PIN & CLAMP & BUSHING SET



SB6 / SB7 / SB7 RADIAL / SN6 / SN7

**101213** > CALIPER SHAFT HOUSING SET



SN7 / SK7 / ST6

PART NO	GW NO	CONTENTS	DIMENSION	QTY.
1	112103	CALIPER SHAFT HOUSING	-	1
2	16101	CALIPER CALIBRATION BOLT	3 THREAD	2
3	16301	CALIPER LEVER BUSHING	-	1
4	17201	CALIPER SHAFT HOUSING SPRING	-	1

**101214** > CALIPER SHAFT HOUSING SET



SL7 / SM7 / ST7

PART NO	GW NO	CONTENTS	DIMENSION	QTY.
1	112103	CALIPER SHAFT HOUSING	-	1
2	16113	CALIPER CALIBRATION BOLT	3 THREAD	2
3	163101	CALIPER LEVER BUSHING	-	1
4	172101	CALIPER SHAFT HOUSING SPRING	-	1

**101199** > CALIPER SHAFT HOUSING SET



SN7 / SK7 / ST6

PART NO	GW NO	CONTENTS	DIMENSION	QTY.
1	112103	CALIPER SHAFT HOUSING	-	1
2	16101	CALIPER CALIBRATION BOLT	3 THREAD	2
3	172101	CALIPER SHAFT HOUSING SPRING	-	1

**101196** > CALIPER SHAFT HOUSING SET



SL7 / SM7 / ST7

PART NO	GW NO	CONTENTS	DIMENSION	QTY.
1	112103	CALIPER SHAFT HOUSING	-	1
2	16113	CALIPER CALIBRATION BOLT	3 THREAD	2
3	172101	CALIPER SHAFT HOUSING SPRING	-	1

**101195** > CALIPER SHAFT HOUSING SET



SL7500 / SL7510

PART NO	GW NO	CONTENTS	DIMENSION	QTY.
1	112103	CALIPER SHAFT HOUSING	-	1
2	161123	CALIPER CALIBRATION BOLT	3 THREAD	2
3	172101	CALIPER SHAFT HOUSING SPRING	-	1

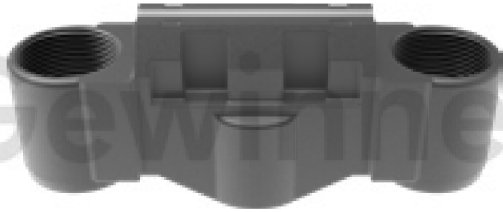
**104103** > CALIPER SHAFT HOUSING SET



SN7 / SK7 / ST6 / SL7 / SM7 / ST7

PART NO	GW NO	CONTENTS	DIMENSION	QTY.
1	112103	CALIPER SHAFT HOUSING	-	1
2	172101	CALIPER SHAFT HOUSING SPRING	-	1

**112103** > CALIPER SHAFT HOUSING



ST6 / SL7 / NA7

**161123** > CALIPER CALIBRATION BOLT 3 THREAD



SL7500 / SL7510

**161101** > CALIPER CALIBRATION BOLT 3 THREAD



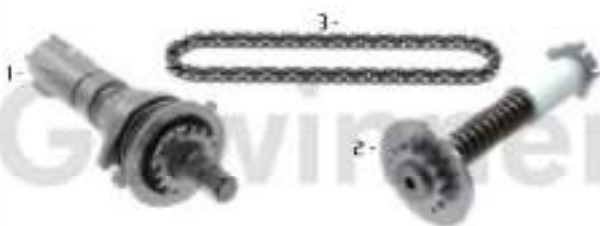
SB6 / SB7 / SB7 RADIAL / SN6 / SN7 / SK7 / ST6

**161113** > CALIPER CALIBRATION BOLT 3 THREAD



SL7 / SM7 / ST7

**101103** > CALIPER ADJUSTING MECHANISM KIT



SB6 / SB7 / SB7 RADIAL / SN6 / SN7 / SK7 / ST6 / SL7 / SM7

PART NO	GW NO	CONTENTS	DIMENSION	QTY.
1	102108	CALIPER ADJUSTING MECHANISM SHAFT	-	1
2	102107	CALIPER ADJUSTING MECHANISM SHAFT PINION GEAR	-	1
3	101908	CALIPER CALIBRATION SHAFT CHAIN	29 LINK	1

**102101** > CALIPER ADJUSTING MECHANISM SHAFT

SB6 / SB7 / SB7 RADIAL / SN6 / SN7 / SK7 / ST6 / SL7 / SM7 / ST7

**102108** > CALIPER ADJUSTING MECHANISM SHAFT

SB6 / SB7 / SB7 RADIAL / SN6 / SN7 / SK7 / ST6 / SL7 / SM7 / ST7

**102117** > CALIPER ADJUSTING MECHANISM SHAFT NEW MODEL

SN7 / SK7 / ST6 / SL7 / SM7 / ST7

**102103** > CALIPER ADJUSTING MECHANISM SHAFT PINION GEAR

SB6 / SB7 / SB7 RADIAL / SN6 / SN7 / SK7 / ST6 / SL7 / SM7 / ST7

**102104** > CALIPER ADJUSTING MECHANISM SHAFT PINION GEAR

SB6 / SB7 / SN6 / SN7 / SK7 / SL7 / SM7

**102109** > CALIPER ADJUSTING MECHANISM SHAFT PINION GEAR

SB6 / SB7 / SN6 / SN7 / SK7 / SL7 / SM7 / ST7

**102105** > CALIPER ADJUSTING MECHANISM SHAFT PINION GEAR

SB6 / SB7 / SN6 / SN7 / SK7 / SL7 / SM7

**102106** > CALIPER ADJUSTING MECHANISM SHAFT PINION GEAR

SN6 / SN7 / SK7 / ST6 / SL7 / SM7 / ST7

**102111** > CALIPER ADJUSTING MECHANISM SHAFT PINION GEAR [WITH LOCK WEDGE]

SB7 RADIAL / SN6 / SN7 / SK7 / SL7 / SM7 / ST7

**102113** > CALIPER ADJUSTING MECHANISM SHAFT PINION GEAR [WITHOUT LOCK WEDGE]

SB7 RADIAL / SN6 / SN7 / SK7 / SL7 / SM7 / ST7

SB6 &amp; SB7 &amp; SN6 &amp; SN7 &amp; SK7 &amp; ST6 &amp; SL7 &amp; SM7 &amp; ST7 &amp; NA7

**102107** > CALIPER ADJUSTING MECHANISM REPAIR KIT



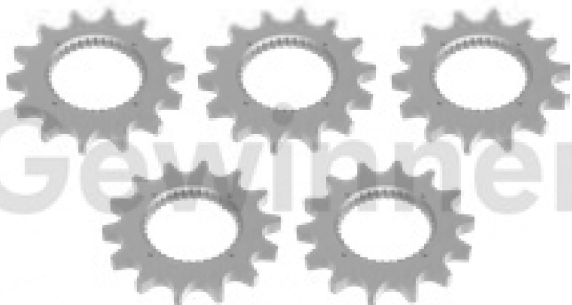
SB6 / SB7

**102110** > CALIPER ADJUSTING MECHANISM REPAIR KIT



SB6 / SB7 / SB7 RADIAL / SN6 / SN7 / SK7 / ST6 / SL7 / SM7 / ST7

**103106** > CALIPER ADJUSTING MECHANISM GEAR KIT



SB6 / SB7 / SN6 / SN7 / SK7 / ST6 / SL7

**103101** > CALIPER ADJUSTING MECHANISM GEAR



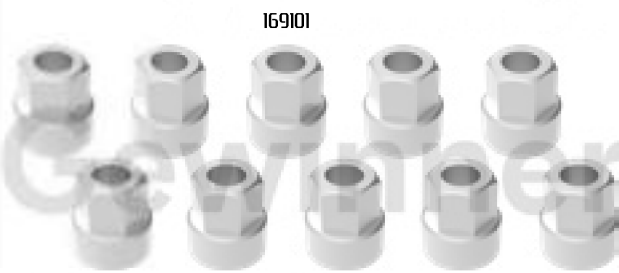
SB6 / SB7 / SN6 / SN7 / SK7 / ST6 / SL7

**109101** > CALIPER CALIBRATION SHAFT CHAIN 29 LINK



SB6 / SB7 / SB7 RADIAL / SN6 / SN7 / SK7 / ST6 / SL7 / SM7 / ST7

**169102** > CALIPER ADJUSTING MECHANISM SHAFT ADAPTER SET



SB6 / SB7 / SB7 RADIAL / SN6 / SN7 / SK7 / ST6 / SL7 / SM7 / ST7

**169103** > CALIPER ADJUSTING MECHANISM SHAFT ADAPTER SET



SB6 / SB7 / SB7 RADIAL / SN6 / SN7 / SK7 / ST6 / SL7 / SM7 / ST7

**169101** > CALIPER ADJUSTING MECHANISM SHAFT ADAPTER



SB6 / SB7 / SB7 RADIAL / SN6 / SN7 / SK7 / ST6 / SL7 / SM7 / ST7

SB6 & SB7 & SN6 &  
SN7 & SK7 & SL6 & SL7  
& SM7 & ST7 & NA7

**107101** > CALIPER LEVER 0°



SN6

**107102** > CALIPER LEVER 0°



SB6

**107103** > CALIPER LEVER 0°



SN7

**107104** > CALIPER LEVER 12°



SB7

**107105** > CALIPER LEVER 12°



SB7

**107106** > CALIPER LEVER 12°



SN7 / SL7

**107107** > CALIPER LEVER 0°



SB7

**107108** > CALIPER LEVER 12°



SN7

**107109** > CALIPER LEVER 0°



SK7 / ST6

**107113** > CALIPER LEVER 0°



SN7

**107114** > CALIPER LEVER 12°



SL7 / SM7

**107117** > CALIPER LEVER



ST7

**107115** > CALIPER LEVER 86°



SB7 RADIAL

**107116** > CALIPER LEVER 93°



SB7 RADIAL

SB6 & SB7 & SNG &  
SN7 & SK7 & SL7 & SM7  
& ST7 & NA7

**108101** > CALIPER NEEDLE BEARING KIT



SB6 / SB7 / SB7 RADIAL

**108102** > CALIPER NEEDLE BEARING KIT



SNG / SN7 / SK7

**108107** > CALIPER NEEDLE BEARING KIT



SL6 / SL7 / SM7 / ST7

**180101** > CALIPER SHAFT HOUSING & LEVER BEARING



SB6 / SB7 / SB7 RADIAL / SNG / SN7

**159101** > CALIPER LEVER BUSHING SET



SB6 / SB7 / SB7 RADIAL / SNG / SN7

**163101** > CALIPER LEVER BUSHING



SB6 / SB7 / SB7 RADIAL / SNG / SN7

**151122** > CALIPER GUIDE PIN & PIN BUSHING REPAIR KIT



SB6 / SB7 / SN6 / SN7

PART NO	GW NO	CONTENTS	DIMENSION	QTY.
1	164003	CALIPER GUIDE PIN	∅ 32 x 80 mm	1
2	164004	CALIPER GUIDE PIN	∅ 34 x 80 mm	1
3	164005	CALIPER GUIDE PIN	∅ 36 x 114 mm	1
4	164004	CALIPER GUIDE PIN BOLT	M16 x 1.5 x 80 mm	1
5	164005	CALIPER GUIDE PIN BOLT	M16 x 1.5 x 85 mm	2
6	162106	CALIPER GUIDE PIN BOOT	-	1
7	166108	CALIPER GUIDE PIN BOOT RING	-	1
8	163102	CALIPER GUIDE PIN BUSHING SHORT	∅ 39 mm	1
9	163104	CALIPER GUIDE PIN BUSHING	∅ 40 x 36 x 82 mm	1
10	163106	CALIPER GUIDE PIN RUBBER BUSHING	∅ 40 x 34 x 50 mm	1
11	164104	CALIPER GUIDE PIN CAP	∅ 40 x 11 mm	1
12	164102	CALIPER GUIDE PIN CAP	∅ 54 x 28 mm	1
13	166108	CALIPER GUIDE PIN CAP O-RING	-	1

K000365

**151107** > CALIPER GUIDE PIN & PIN BUSHING REPAIR KIT



SB6 / SB7 / SN6 / SN7 / SM7

PART NO	GW NO	CONTENTS	DIMENSION	QTY.
1	164003	CALIPER GUIDE PIN	∅ 32 x 80 mm	1
2	164005	CALIPER GUIDE PIN	∅ 36 x 114 mm	1
3	164004	CALIPER GUIDE PIN BOLT	M16 x 1.5 x 80 mm	1
4	164005	CALIPER GUIDE PIN BOLT	M16 x 1.5 x 85 mm	1
5	162106	CALIPER GUIDE PIN BOOT	-	1
6	166108	CALIPER GUIDE PIN BOOT RING	-	1
7	163102	CALIPER GUIDE PIN BUSHING SHORT	∅ 39 mm	1
8	163104	CALIPER GUIDE PIN BUSHING	∅ 40 x 36 x 82 mm	1
9	164005	CALIPER GUIDE PIN CAP	∅ 40 x 14.5 mm	1

K007915  
K048389K50  
K099604K50

**151108** > CALIPER GUIDE PIN & PIN BUSHING REPAIR KIT



SB6 / SB7

PART NO	GW NO	CONTENTS	DIMENSION	QTY.
1	164003	CALIPER GUIDE PIN	∅ 32 x 80 mm	1
2	164005	CALIPER GUIDE PIN	∅ 36 x 114 mm	1
3	164004	CALIPER GUIDE PIN BOLT	M16 x 1.5 x 80 mm	1
4	164005	CALIPER GUIDE PIN BOLT	M16 x 1.5 x 85 mm	1
5	162106	CALIPER GUIDE PIN BOOT	-	1
6	166108	CALIPER GUIDE PIN BOOT RING	-	1
7	163102	CALIPER GUIDE PIN BUSHING SHORT	∅ 39 mm	1
8	163104	CALIPER GUIDE PIN BUSHING	∅ 40 x 36 x 82 mm	1
9	164102	CALIPER GUIDE PIN CAP	∅ 54 x 28 mm	1
10	168101	CALIPER GUIDE PIN CAP O-RING	-	1

K048371K50

**151110** > CALIPER GUIDE PIN & PIN BUSHING REPAIR KIT



SB6 / SB7 / SN6 / SN7 / SL7 / SM7

PART NO	GW NO	CONTENTS	DIMENSION	QTY.
1	164001	CALIPER GUIDE PIN	∅ 32 x 80 mm	1
2	164006	CALIPER GUIDE PIN	∅ 36 x 114 mm	1
3	164004	CALIPER GUIDE PIN BOLT	M16 x 1.5 x 80 mm	1
4	164005	CALIPER GUIDE PIN BOLT	M16 x 1.5 x 85 mm	1
5	163002	CALIPER GUIDE PIN BUSHING SHORT	∅ 39 mm	1

**151116** > CALIPER GUIDE PIN & PIN BUSHING REPAIR KIT



SB6 / SB7

PART NO	GW NO	CONTENTS	DIMENSION	QTY.
1	160006	CALIPER GUIDE PIN	∅ 36 x 114 mm	1
2	164005	CALIPER GUIDE PIN BOLT	M16 x 1.5 x 85 mm	1
3	162006	CALIPER GUIDE PIN BOOT	-	1
4	166001	CALIPER GUIDE PIN BOOT RING	-	1
5	163004	CALIPER GUIDE PIN BUSHING	∅ 40 x 36 x 82 mm	1
6	164002	CALIPER GUIDE PIN CAP	∅ 54 x 28 mm	1
7	168001	CALIPER GUIDE PIN CAP O-RING	-	1

K000696

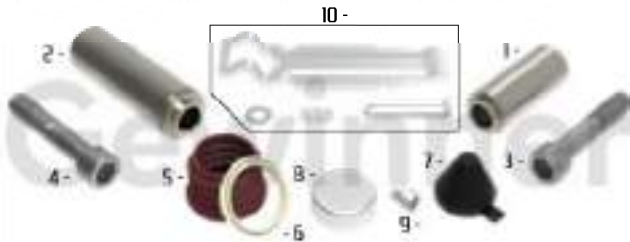
**151160** > CALIPER GUIDE PIN & BUSHING REPAIR KIT



SB6 / SB7 / SN6 / SN7

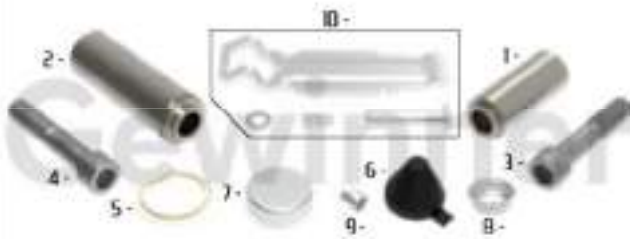
PART NO	GW NO	CONTENTS	DIMENSION	QTY.
1	160006	CALIPER GUIDE PIN	∅ 36 x 114 mm	1
2	164005	CALIPER GUIDE PIN BOLT	M16 x 1.5 x 85 mm	1
3	162006	CALIPER GUIDE PIN BOOT	-	1
4	166001	CALIPER GUIDE PIN BOOT RING	-	1
5	163004	CALIPER GUIDE PIN BUSHING	∅ 40 x 36 x 82 mm	1
6	164005	CALIPER GUIDE PIN CAP	∅ 40 x 14.5 mm	1
7	16410	CALIPER GUIDE PIN CAP	∅ 40 x 31 mm	1

K000691

**111121** > BRAKE PAD RETAINER KIT & CALIPER GUIDE PIN REPAIR KIT


## SB7 / SN7

PART NO	GW NO	CONTENTS	DIMENSION	QTY.
1	160103	CALIPER GUIDE PIN	∅ 32 x 80 mm	1
2	160106	CALIPER GUIDE PIN	∅ 36 x 114 mm	1
3	164104	CALIPER GUIDE PIN BOLT	M16 x 1.5 x 80 mm	1
4	164105	CALIPER GUIDE PIN BOLT	M16 x 1.5 x 85 mm	1
5	162106	CALIPER GUIDE PIN BOOT	-	1
6	164108	CALIPER GUIDE PIN BOOT RING	-	1
7	164104	CALIPER SENSOR COVER CAP	∅ 38 mm	1
8	164105	CALIPER GUIDE PIN CAP	∅ 40 x 14.5 mm	1
9	164108	CALIPER ADJUSTING MECHANISM SHAFT ADAPTER	-	1
10	1111	CALIPER BRAKE PAD RETAINER KIT	h= 20 mm	1

**111109** > BRAKE PAD RETAINER KIT & CALIPER GUIDE PIN REPAIR KIT


## SB7 / SN7

PART NO	GW NO	CONTENTS	DIMENSION	QTY.
1	160103	CALIPER GUIDE PIN	∅ 32 x 80 mm	1
2	160106	CALIPER GUIDE PIN	∅ 36 x 114 mm	1
3	164104	CALIPER GUIDE PIN BOLT	M16 x 1.5 x 80 mm	1
4	164105	CALIPER GUIDE PIN BOLT	M16 x 1.5 x 85 mm	1
5	164108	CALIPER GUIDE PIN BOOT RING	-	1
6	164104	CALIPER SENSOR COVER CAP	∅ 38 mm	1
7	164105	CALIPER GUIDE PIN CAP	∅ 40 x 14.5 mm	1
8	162101	CALIPER GUIDE PIN BUSHING RING	-	1
9	164108	CALIPER ADJUSTING MECHANISM SHAFT ADAPTER	-	1
10	1111	CALIPER BRAKE PAD RETAINER KIT	h= 20 mm	1

**111120** > BRAKE PAD RETAINER KIT & CALIPER GUIDE PIN REPAIR KIT


## SL7 / SM7

PART NO	GW NO	CONTENTS	DIMENSION	QTY.
1	160103	CALIPER GUIDE PIN	∅ 32 x 80 mm	1
2	160106	CALIPER GUIDE PIN	∅ 36 x 114 mm	1
3	164104	CALIPER GUIDE PIN BOLT	M16 x 1.5 x 80 mm	1
4	164105	CALIPER GUIDE PIN BOLT	M16 x 1.5 x 85 mm	1
5	164108	CALIPER GUIDE PIN BOOT RING	-	1
6	164104	CALIPER SENSOR COVER CAP	∅ 38 mm	1
7	164105	CALIPER GUIDE PIN CAP	∅ 40 x 14.5 mm	1
8	164108	CALIPER ADJUSTING MECHANISM SHAFT ADAPTER	-	1
9	1111	CALIPER BRAKE PAD RETAINER KIT	h= 25 mm	1

**151159 > BRAKE PAD RETAINER KIT & CALIPER GUIDE PIN REPAIR KIT**



SB6 / SB7 / SNG / SN7

PART NO	GW NO	CONTENTS	DIMENSION	QTY.
1	16003	CALIPER GUIDE PIN	∅ 32 x 80 mm	1
2	16004	CALIPER GUIDE PIN BOLT	M16 x 1.5 x 80 mm	1
3	16302	CALIPER GUIDE PIN BUSHING SHORT	∅ 39 mm	1
4	1625	BRAKE PAD SPRING	-	2

**151138 > CALIPER GUIDE PIN REPAIR KIT**



SB6 / SB7 / SNG / SN7

PART NO	GW NO	CONTENTS	DIMENSION	QTY.
1	16003	CALIPER GUIDE PIN	∅ 32 x 80 mm	1
2	16004	CALIPER GUIDE PIN BOLT	M16 x 1.5 x 80 mm	1
3	16302	CALIPER GUIDE PIN BUSHING SHORT	∅ 39 mm	1

**151139 > CALIPER GUIDE PIN REPAIR KIT**



SB6 / SB7 / SNG / SN7

PART NO	GW NO	CONTENTS	DIMENSION	QTY.
1	16003	CALIPER GUIDE PIN	∅ 32 x 80 mm	1
2	16302	CALIPER GUIDE PIN BUSHING SHORT	∅ 39 mm	1

**151134 > CALIPER GUIDE PIN & PIN BUSHING REPAIR KIT**



SB6 / SB7 / SB7 RADIAL / SNG / SN7

PART NO	GW NO	CONTENTS	DIMENSION	QTY.
1	160104	CALIPER GUIDE PIN	∅ 34 x 80 mm	1
2	161105	CALIPER GUIDE PIN BOLT	M16 x 1.5 x 85 mm	1
3	163108	CALIPER GUIDE PIN RUBBER BUSHING	∅ 40 x 34 x 50 mm	1

**151135 > CALIPER GUIDE PIN & PIN BUSHING REPAIR KIT**



SB6 / SB7 / SB7 RADIAL / SNG / SN7

PART NO	GW NO	CONTENTS	DIMENSION	QTY.
1	160104	CALIPER GUIDE PIN	∅ 34 x 80 mm	1
2	163108	CALIPER GUIDE PIN RUBBER BUSHING	∅ 40 x 34 x 50 mm	1

**151123** > CALIPER GUIDE PIN & PIN BUSHING REPAIR KIT



SB6 / SB7

PART NO	GW NO	CONTENTS	DIMENSION	QTY.
1	164003	CALIPER GUIDE PIN	∅ 32 x 80 mm	1
2	164004	CALIPER GUIDE PIN	∅ 34 x 80 mm	1
3	164007	CALIPER GUIDE PIN	∅ 36 x 135 mm	1
4	164004	CALIPER GUIDE PIN BOLT	M16 x 1.5 x 80 mm	1
5	164007	CALIPER GUIDE PIN BOLT	M16 x 1.5 x 85 mm	1
6	164007	CALIPER GUIDE PIN BOLT	M16 x 1.5 x 140 mm	1
7	162106	CALIPER GUIDE PIN BOOT	-	1
8	164008	CALIPER GUIDE PIN BOOT RING	-	1
9	162108	CALIPER BELLOW CAP	-	1
10	165108	CALIPER BELLOW CAP CLAMP	-	1
11	163102	CALIPER GUIDE PIN BUSHING SHORT	∅ 39 mm	1
12	163104	CALIPER GUIDE PIN BUSHING	∅ 40 x 36 x 82 mm	1
13	163108	CALIPER GUIDE PIN RUBBER BUSHING	∅ 40 x 34 x 50 mm	1
14	164108	CALIPER GUIDE PIN CAP	∅ 40 x 11 mm	1

**151109** > CALIPER GUIDE PIN & PIN BUSHING REPAIR KIT



SB6 / SB7

PART NO	GW NO	CONTENTS	DIMENSION	QTY.
1	164003	CALIPER GUIDE PIN	∅ 32 x 80 mm	1
2	164007	CALIPER GUIDE PIN	∅ 36 x 135 mm	1
3	164004	CALIPER GUIDE PIN BOLT	M16 x 1.5 x 80 mm	1
4	164007	CALIPER GUIDE PIN BOLT	M16 x 1.5 x 140 mm	1
5	162106	CALIPER GUIDE PIN BOOT	-	1
6	164008	CALIPER GUIDE PIN BOOT RING	-	1
7	162108	CALIPER BELLOW CAP	-	1
8	165108	CALIPER BELLOW CAP CLAMP	-	1
9	163102	CALIPER GUIDE PIN BUSHING SHORT	∅ 39 mm	1
10	163104	CALIPER GUIDE PIN BUSHING	∅ 40 x 36 x 82 mm	1

**151120** > CALIPER GUIDE PIN & PIN BUSHING REPAIR KIT



SB6 / SB7

PART NO	GW NO	CONTENTS	DIMENSION	QTY.
1	164007	CALIPER GUIDE PIN	∅ 36 x 135 mm	1
2	164007	CALIPER GUIDE PIN BOLT	M16 x 1.5 x 140 mm	1
3	162106	CALIPER GUIDE PIN BOOT	-	1
4	164008	CALIPER GUIDE PIN BOOT RING	-	1
5	162108	CALIPER BELLOW CAP	-	1
6	165108	CALIPER BELLOW CAP CLAMP	-	1
7	163104	CALIPER GUIDE PIN BUSHING	∅ 40 x 36 x 82 mm	1

**151124** > CALIPER GUIDE PIN & PIN BUSHING REPAIR KIT



SB6 / SB7

PART NO.	GW NO.	CONTENTS	DIMENSION	QTY.
1	164003	CALIPER GUIDE PIN	Ø 32 x 80 mm	1
2	164004	CALIPER GUIDE PIN	Ø 34 x 80 mm	1
3	164008	CALIPER GUIDE PIN	Ø 36 x 145 mm	1
4	164004	CALIPER GUIDE PIN BOLT	M16 x 1.5 x 80 mm	1
5	164005	CALIPER GUIDE PIN BOLT	M16 x 1.5 x 85 mm	1
6	164008	CALIPER GUIDE PIN BOLT	M16 x 1.5 x 150 mm	1
7	162906	CALIPER GUIDE PIN BOOT	-	1
8	165001	CALIPER GUIDE PIN BOOT RING	-	1
9	162908	CALIPER BELLOW CAP	-	1
10	165001	CALIPER BELLOW CAP CLAMP	-	1
11	163002	CALIPER GUIDE PIN BUSHING SHORT	Ø 39 mm	1
12	163004	CALIPER GUIDE PIN BUSHING	Ø 40 x 36 x 82 mm	1
13	163008	CALIPER GUIDE PIN RUBBER BUSHING	Ø 40 x 34 x 50 mm	1
14	164001	CALIPER GUIDE PIN CAP	Ø 40 x 11 mm	1

**151111** > CALIPER GUIDE PIN & PIN BUSHING REPAIR KIT



SB6 / SB7

PART NO.	GW NO.	CONTENTS	DIMENSION	QTY.
1	164003	CALIPER GUIDE PIN	Ø 32 x 80 mm	1
2	164008	CALIPER GUIDE PIN	Ø 36 x 145 mm	1
3	164004	CALIPER GUIDE PIN BOLT	M16 x 1.5 x 80 mm	1
4	164008	CALIPER GUIDE PIN BOLT	M16 x 1.5 x 150 mm	1
5	162906	CALIPER GUIDE PIN BOOT	-	1
6	165001	CALIPER GUIDE PIN BOOT RING	-	1
7	162908	CALIPER BELLOW CAP	-	1
8	165001	CALIPER BELLOW CAP CLAMP	-	1
9	163002	CALIPER GUIDE PIN BUSHING SHORT	Ø 39 mm	1
10	163004	CALIPER GUIDE PIN BUSHING	Ø 40 x 36 x 82 mm	1

K000687

**151165** > CALIPER GUIDE PIN & BUSHING REPAIR KIT



SB6 / SB7

PART NO.	GW NO.	CONTENTS	DIMENSION	QTY.
1	164003	CALIPER GUIDE PIN	Ø 32 x 80 mm	1
2	164008	CALIPER GUIDE PIN	Ø 36 x 145 mm	1
3	164004	CALIPER GUIDE PIN BOLT	M16 x 1.5 x 80 mm	1
4	164008	CALIPER GUIDE PIN BOLT	M16 x 1.5 x 150 mm	1
5	162906	CALIPER GUIDE PIN BOOT	-	1
6	165001	CALIPER GUIDE PIN BOOT RING	-	1
7	163002	CALIPER GUIDE PIN BUSHING SHORT	Ø 39 mm	1
8	163004	CALIPER GUIDE PIN BUSHING	Ø 40 x 36 x 82 mm	1
9	164102	CALIPER GUIDE PIN CAP	Ø 54 x 28 mm	1
10	168101	CALIPER GUIDE PIN CAP O-RING	-	1

**151121** > CALIPER GUIDE PIN & PIN BUSHING REPAIR KIT



SB6 / SB7 / SB7 RADIAL

PART NO	GW NO	CONTENTS	DIMENSION	QTY.
1	160108	CALIPER GUIDE PIN	∅ 36 x 145 mm	1
2	162106	CALIPER GUIDE PIN BOLT	M16 x 1.5 x 150 mm	1
3	162106	CALIPER GUIDE PIN BOOT	-	1
4	166108	CALIPER GUIDE PIN BOOT RING	-	1
5	162108	CALIPER BELLOW CAP	-	1
6	165108	CALIPER BELLOW CAP CLAMP	-	1
7	163104	CALIPER GUIDE PIN BUSHING	∅ 40 x 36 x 82 mm	1

**151168** > CALIPER GUIDE PIN & BUSHING REPAIR KIT



SNG

PART NO	GW NO	CONTENTS	DIMENSION	QTY.
1	160111	CALIPER GUIDE PIN	∅ 32 x 80 mm	1
2	160109	CALIPER GUIDE PIN	∅ 36 x 102 mm	1
3	160104	CALIPER GUIDE PIN BOLT	M16 x 1.5 x 80 mm	1
4	160105	CALIPER GUIDE PIN BOLT	M16 x 1.5 x 85 mm	1
5	162106	CALIPER GUIDE PIN BOOT	-	1
6	166108	CALIPER GUIDE PIN BOOT RING	-	1
7	163102	CALIPER GUIDE PIN BUSHING SHORT	∅ 39 mm	1
8	163104	CALIPER GUIDE PIN BUSHING	∅ 40 x 36 x 71 mm	1
9	164105	CALIPER GUIDE PIN CAP	∅ 40 x 14.5 mm	1

**163102** > CALIPER GUIDE PIN BUSHING SHORT ∅ 39 mm



SB6 / SB7 / SNG / SN7 / SL7 / SM7

**142101** > CALIPER BUSHING TOOL KIT



COMPATIBLE BUSHING

163102



**151125** > CALIPER GUIDE PIN & PIN BUSHING REPAIR KIT



SB6 / SB7 / SN6 / SN7

PART NO.	GW NO.	CONTENTS	DIMENSION	QTY.
1	161003	CALIPER GUIDE PIN	∅ 32 x 80 mm	1
2	161004	CALIPER GUIDE PIN	∅ 34 x 80 mm	1
3	161006	CALIPER GUIDE PIN	∅ 36 x 114 mm	1
4	161004	CALIPER GUIDE PIN BOLT	M16 x 1.5 x 80 mm	1
5	161005	CALIPER GUIDE PIN BOLT	M16 x 1.5 x 85 mm	2
6	162006	CALIPER GUIDE PIN BOOT	-	1
7	161001	CALIPER GUIDE PIN BOOT RING	-	1
8	163003	CALIPER GUIDE PIN BUSHING LONG	∅ 39 mm	1
9	167001	CALIPER GUIDE PIN BUSHING RING	-	1
10	167004	CALIPER GUIDE PIN BUSHING RING (with SEAL)	∅ 35 mm	1
11	163004	CALIPER GUIDE PIN BUSHING	∅ 40 x 36 x 82 mm	1
12	163008	CALIPER GUIDE PIN RUBBER BUSHING	∅ 40 x 34 x 50 mm	1
13	164001	CALIPER GUIDE PIN CAP	∅ 40 x 11 mm	1
14	164002	CALIPER GUIDE PIN CAP	∅ 54 x 28 mm	1
15	161001	CALIPER GUIDE PIN CAP O-RING	-	1

**151150** > CALIPER GUIDE PIN & BUSHING REPAIR KIT



SN6

PART NO.	GW NO.	CONTENTS	DIMENSION	QTY.
1	161003	CALIPER GUIDE PIN	∅ 32 x 80 mm	1
2	161009	CALIPER GUIDE PIN	∅ 36 x 102 mm	1
3	161004	CALIPER GUIDE PIN BOLT	M16 x 1.5 x 80 mm	1
4	161005	CALIPER GUIDE PIN BOLT	M16 x 1.5 x 85 mm	1
5	162006	CALIPER GUIDE PIN BOOT	-	1
6	161001	CALIPER GUIDE PIN BOOT RING	-	1
7	163003	CALIPER GUIDE PIN BUSHING LONG	∅ 39 mm	1
8	167001	CALIPER GUIDE PIN BUSHING RING	-	1
9	163004	CALIPER GUIDE PIN BUSHING	∅ 40 x 36 x 71 mm	1
10	164001	CALIPER GUIDE PIN CAP	∅ 40 x 11 mm	1

K00274  
K00276

**151182** > CALIPER GUIDE PIN & BUSHING REPAIR KIT



SN6

PART NO.	GW NO.	CONTENTS	DIMENSION	QTY.
1	161003	CALIPER GUIDE PIN	∅ 32 x 80 mm	1
2	161009	CALIPER GUIDE PIN	∅ 36 x 102 mm	1
3	161004	CALIPER GUIDE PIN BOLT	M16 x 1.5 x 80 mm	1
4	161005	CALIPER GUIDE PIN BOLT	M16 x 1.5 x 85 mm	1
5	162006	CALIPER GUIDE PIN BOOT	-	1
6	161001	CALIPER GUIDE PIN BOOT RING	-	1
7	163003	CALIPER GUIDE PIN BUSHING LONG	∅ 39 mm	1
8	167001	CALIPER GUIDE PIN BUSHING RING	-	1
9	163004	CALIPER GUIDE PIN BUSHING	∅ 40 x 36 x 71 mm	1
10	164001	CALIPER GUIDE PIN CAP	∅ 40 x 11 mm	1
11	164001	CALIPER BODY SIDE HOLE PLUG	-	1
12	164001	BROWSE CHAMBER SEAL	∅ 42 mm	1
13	164004	CALIPER GUIDE PIN PROTECTION CAP	-	1

**151101** > CALIPER GUIDE PIN & PIN BUSHING REPAIR KIT



SB6 / SB7 / SN6 / SN7 / SK7 / SL7 / SM7

PART NO	GW NO	CONTENTS	DIMENSION	QTY.
1	160103	CALIPER GUIDE PIN	∅ 32 x 80 mm	1
2	160106	CALIPER GUIDE PIN	∅ 36 x 114 mm	1
3	161104	CALIPER GUIDE PIN BOLT	M16 x 1.5 x 80 mm	1
4	161105	CALIPER GUIDE PIN BOLT	M16 x 1.5 x 85 mm	1
5	162106	CALIPER GUIDE PIN BOOT	-	1
6	166108	CALIPER GUIDE PIN BOOT RING	-	1
7	161103	CALIPER GUIDE PIN BUSHING LONG	∅ 39 mm	1
8	167101	CALIPER GUIDE PIN BUSHING RING	-	1
9	163104	CALIPER GUIDE PIN BUSHING	∅ 40 x 36 x 82 mm	1
10	164105	CALIPER GUIDE PIN CAP	∅ 40 x 14.5 mm	1

K000472  
K007207

**151181** > CALIPER GUIDE PIN & BUSHING REPAIR KIT



SB6 / SB7 / SN6 / SN7 / SK7 / SL7 / SM7

PART NO	GW NO	CONTENTS	DIMENSION	QTY.
1	160103	CALIPER GUIDE PIN	∅ 32 x 80 mm	1
2	160106	CALIPER GUIDE PIN	∅ 36 x 114 mm	1
3	161104	CALIPER GUIDE PIN BOLT	M16 x 1.5 x 80 mm	1
4	161105	CALIPER GUIDE PIN BOLT	M16 x 1.5 x 85 mm	1
5	162106	CALIPER GUIDE PIN BOOT	-	1
6	166108	CALIPER GUIDE PIN BOOT RING	-	1
7	161103	CALIPER GUIDE PIN BUSHING LONG	∅ 39 mm	1
8	167101	CALIPER GUIDE PIN BUSHING RING	-	1
9	163104	CALIPER GUIDE PIN BUSHING	∅ 40 x 36 x 82 mm	1
10	164105	CALIPER GUIDE PIN CAP	∅ 40 x 14.5 mm	1
11	164110	CALIPER BODY SIDE HOLE PLUG	-	1
12	164113	FRANK CHAMBER SEAL	∅ 42 mm	1
13	164114	CALIPER GUIDE PIN PROTECTION CAP	-	1

**151350** > CALIPER GUIDE PIN & BUSHING REPAIR KIT



SB6 / SB7 / SN6 / SN7 / SK7

PART NO	GW NO	CONTENTS	DIMENSION	QTY.
1	160103	CALIPER GUIDE PIN	∅ 32 x 80 mm	1
2	160106	CALIPER GUIDE PIN	∅ 36 x 114 mm	1
3	161104	CALIPER GUIDE PIN BOLT	M16 x 1.5 x 80 mm	1
4	161105	CALIPER GUIDE PIN BOLT	M16 x 1.5 x 85 mm	1
5	162106	CALIPER GUIDE PIN BOOT	-	1
6	166108	CALIPER GUIDE PIN BOOT RING	-	1
7	161103	CALIPER GUIDE PIN BUSHING LONG	∅ 39 mm	1
8	167101	CALIPER GUIDE PIN BUSHING RING	-	1
9	163104	CALIPER GUIDE PIN BUSHING	∅ 40 x 36 x 82 mm	1
10	164102	CALIPER GUIDE PIN CAP	∅ 54 x 28 mm	1
11	168108	CALIPER GUIDE PIN CAP O-RING	-	1
12	164105	CALIPER GUIDE PIN CAP	∅ 40 x 14.5 mm	1

**151102 > CALIPER GUIDE PIN & PIN BUSHING REPAIR KIT**



SB6 / SB7 / SN6 / SN7

PART NO	GW NO	CONTENTS	DIMENSION	QTY.
1	160103	CALIPER GUIDE PIN	∅ 32 x 80 mm	1
2	160106	CALIPER GUIDE PIN	∅ 36 x 114 mm	1
3	161104	CALIPER GUIDE PIN BOLT	M16 x 1.5 x 80 mm	1
4	161105	CALIPER GUIDE PIN BOLT	M16 x 1.5 x 85 mm	1
5	162106	CALIPER GUIDE PIN BOOT	-	1
6	166101	CALIPER GUIDE PIN BOOT RING	-	1
7	163103	CALIPER GUIDE PIN BUSHING LONG	∅ 39 mm	1
8	167101	CALIPER GUIDE PIN BUSHING RING	-	1
9	163104	CALIPER GUIDE PIN BUSHING	∅ 40 x 36 x 82 mm	1
10	164102	CALIPER GUIDE PIN CAP	∅ 54 x 28 mm	1
11	168101	CALIPER GUIDE PIN CAP O-RING	-	1

**151180 > CALIPER GUIDE PIN & BUSHING REPAIR KIT**



SB7 RADIAL

PART NO	GW NO	CONTENTS	DIMENSION	QTY.
1	160103	CALIPER GUIDE PIN	∅ 32 x 80 mm	1
2	160106	CALIPER GUIDE PIN	∅ 36 x 114 mm	1
3	161104	CALIPER GUIDE PIN BOLT	M16 x 1.5 x 80 mm	1
4	161105	CALIPER GUIDE PIN BOLT	M16 x 1.5 x 85 mm	1
5	162106	CALIPER GUIDE PIN BOOT	-	1
6	166101	CALIPER GUIDE PIN BOOT RING	-	1
7	163103	CALIPER GUIDE PIN BUSHING LONG	∅ 39 mm	1
8	167101	CALIPER GUIDE PIN BUSHING RING	-	1
9	163104	CALIPER GUIDE PIN BUSHING	∅ 40 x 36 x 82 mm	1
10	164102	CALIPER GUIDE PIN CAP	∅ 54 x 28 mm	1
11	168101	CALIPER GUIDE PIN CAP O-RING	-	1
12	164111	CALIPER BODY SEAL CAP	-	1
13	164114	CALIPER GUIDE PIN CAP	-	1
14	168107	CALIPER MIDDLE COVER GASKET	-	1
15	170105	BRAKE CHAMBER SEAL	-	1

**151153** > CALIPER GUIDE PIN & PIN BUSHING REPAIR KIT



SB6 / SB7 / SN6 / SN7

PART NO.	EAN NO.	CONTENTS	DIMENSION	QTY.
1	164003	CALIPER GUIDE PIN	∅ 32 x 80 mm	1
2	164006	CALIPER GUIDE PIN	∅ 36 x 114 mm	1
3	164004	CALIPER GUIDE PIN BOLT	M16 x 1.5 x 80 mm	1
4	164005	CALIPER GUIDE PIN BOLT	M16 x 1.5 x 85 mm	1
5	162106	CALIPER GUIDE PIN BOOT	-	1
6	166108	CALIPER GUIDE PIN BOOT RING	-	1
7	163103	CALIPER GUIDE PIN BUSHING LONG	∅ 39 mm	1
8	167101	CALIPER GUIDE PIN BUSHING RING	-	1
9	163104	CALIPER GUIDE PIN BUSHING RING (with SEAL)	∅ 35 mm	1
10	163104	CALIPER GUIDE PIN BUSHING	∅ 40 x 36 x 82 mm	1
11	164105	CALIPER GUIDE PIN CAP	∅ 40 x 14.5 mm	1
12	164102	CALIPER GUIDE PIN CAP	∅ 54 x 28 mm	1
13	168108	CALIPER GUIDE PIN CAP O-RING	-	1

K067417K50  
K002845

**151112** > CALIPER GUIDE PIN & PIN BUSHING REPAIR KIT



SB6 / SB7 / SB7 RADIAL / SN6 / SN7 / SK7

PART NO.	EAN NO.	CONTENTS	DIMENSION	QTY.
1	164003	CALIPER GUIDE PIN	∅ 32 x 80 mm	1
2	164006	CALIPER GUIDE PIN	∅ 36 x 114 mm	1
3	164004	CALIPER GUIDE PIN BOLT	M16 x 1.5 x 80 mm	1
4	164005	CALIPER GUIDE PIN BOLT	M16 x 1.5 x 85 mm	1
5	163103	CALIPER GUIDE PIN BUSHING LONG	∅ 39 mm	1
6	167101	CALIPER GUIDE PIN BUSHING RING	-	1

**151169** > CALIPER GUIDE PIN & BUSHING REPAIR KIT



SB6 / SB7 / SN6 / SN7

PART NO.	EAN NO.	CONTENTS	DIMENSION	QTY.
1	164003	CALIPER GUIDE PIN	∅ 32 x 80 mm	1
2	164006	CALIPER GUIDE PIN	∅ 36 x 114 mm	1
3	164004	CALIPER GUIDE PIN BOLT	M16 x 1.5 x 80 mm	1
4	164005	CALIPER GUIDE PIN BOLT	M16 x 1.5 x 85 mm	1
5	162106	CALIPER GUIDE PIN BOOT	-	1
6	166108	CALIPER GUIDE PIN BOOT RING	-	1
7	163103	CALIPER GUIDE PIN BUSHING LONG	∅ 39 mm	1
8	167101	CALIPER GUIDE PIN BUSHING RING	-	1
9	163104	CALIPER GUIDE PIN BUSHING	∅ 40 x 36 x 82 mm	1
10	164105	CALIPER GUIDE PIN CAP	∅ 40 x 14.5 mm	1
11	164102	CALIPER GUIDE PIN CAP	∅ 54 x 28 mm	1
12	168101	CALIPER GUIDE PIN CAP O-RING	-	1

K001470

**151126** > CALIPER GUIDE PIN & PIN BUSHING REPAIR KIT



SB6 / SB7

PART NO	GW NO	CONTENTS	DIMENSION	QTY.
1	161003	CALIPER GUIDE PIN	Ø 32 x 80 mm	1
2	161004	CALIPER GUIDE PIN	Ø 34 x 80 mm	1
3	161007	CALIPER GUIDE PIN	Ø 36 x 135 mm	1
4	161004	CALIPER GUIDE PIN BOLT	M16 x 1.5 x 80 mm	1
5	161005	CALIPER GUIDE PIN BOLT	M16 x 1.5 x 85 mm	1
6	161007	CALIPER GUIDE PIN BOLT	M16 x 1.5 x 140 mm	1
7	162106	CALIPER GUIDE PIN BOOT	-	1
8	166101	CALIPER GUIDE PIN BOOT RING	-	1
9	162108	CALIPER BELLOW CAP	-	1
10	165101	CALIPER BELLOW CAP CLAMP	-	1
11	163103	CALIPER GUIDE PIN BUSHING LONG	Ø 39 mm	1
12	167101	CALIPER GUIDE PIN BUSHING RING	-	1
13	167104	CALIPER GUIDE PIN BUSHING RING (with SEAL)	Ø 35 mm	1
14	163104	CALIPER GUIDE PIN BUSHING	Ø 40 x 36 x 82 mm	1
15	163101	CALIPER GUIDE PIN RUBBER BUSHING	Ø 40 x 34 x 50 mm	1
16	164001	CALIPER GUIDE PIN CAP	Ø 40 x 11 mm	1

**151103** > CALIPER GUIDE PIN & PIN BUSHING REPAIR KIT



SB6 / SB7

PART NO	GW NO	CONTENTS	DIMENSION	QTY.
1	161003	CALIPER GUIDE PIN	Ø 32 x 80 mm	1
2	161007	CALIPER GUIDE PIN	Ø 36 x 135 mm	1
3	161004	CALIPER GUIDE PIN BOLT	M16 x 1.5 x 80 mm	1
4	161107	CALIPER GUIDE PIN BOLT	M16 x 1.5 x 140 mm	1
5	162106	CALIPER GUIDE PIN BOOT	-	1
6	166101	CALIPER GUIDE PIN BOOT RING	-	1
7	162108	CALIPER BELLOW CAP	-	1
8	165101	CALIPER BELLOW CAP CLAMP	-	1
9	163103	CALIPER GUIDE PIN BUSHING LONG	Ø 39 mm	1
10	167101	CALIPER GUIDE PIN BUSHING RING	-	1
11	163104	CALIPER GUIDE PIN BUSHING	Ø 40 x 36 x 82 mm	1

**151127** > CALIPER GUIDE PIN & PIN BUSHING REPAIR KIT



SB6 / SB7

PART NO	GW NO	CONTENTS	DIMENSION	QTY.
1	160003	CALIPER GUIDE PIN	∅ 32 x 80 mm	1
2	160004	CALIPER GUIDE PIN	∅ 34 x 80 mm	1
3	160008	CALIPER GUIDE PIN	∅ 36 x 145 mm	1
4	160004	CALIPER GUIDE PIN BOLT	M16 x 1,5 x 80 mm	1
5	160005	CALIPER GUIDE PIN BOLT	M16 x 1,5 x 85 mm	1
6	160000	CALIPER GUIDE PIN BOLT	M16 x 1,5 x 150 mm	1
7	162106	CALIPER GUIDE PIN BOOT	-	1
8	166108	CALIPER GUIDE PIN BOOT RING	-	1
9	162108	CALIPER BELLOW CAP	-	1
10	165108	CALIPER BELLOW CAP CLAMP	-	1
11	163103	CALIPER GUIDE PIN BUSHING LONG	∅ 39 mm	1
12	167101	CALIPER GUIDE PIN BUSHING RING	-	1
13	163108	CALIPER GUIDE PIN BUSHING RING (with SEAL)	∅ 35 mm	1
14	163104	CALIPER GUIDE PIN BUSHING	∅ 40 x 36 x 82 mm	1
15	163108	CALIPER GUIDE PIN RUBBER BUSHING	∅ 40 x 34 x 50 mm	1
16	164108	CALIPER GUIDE PIN CAP	∅ 40 x 11 mm	1

**151105** > CALIPER GUIDE PIN & PIN BUSHING REPAIR KIT



SB6 / SB7

PART NO	GW NO	CONTENTS	DIMENSION	QTY.
1	160003	CALIPER GUIDE PIN	∅ 32 x 80 mm	1
2	160008	CALIPER GUIDE PIN	∅ 36 x 145 mm	1
3	160004	CALIPER GUIDE PIN BOLT	M16 x 1,5 x 80 mm	1
4	161108	CALIPER GUIDE PIN BOLT	M16 x 1,5 x 150 mm	1
5	162106	CALIPER GUIDE PIN BOOT	-	1
6	166101	CALIPER GUIDE PIN BOOT RING	-	1
7	162108	CALIPER BELLOW CAP	-	1
8	165101	CALIPER BELLOW CAP CLAMP	-	1
9	163103	CALIPER GUIDE PIN BUSHING LONG	∅ 39 mm	1
10	167101	CALIPER GUIDE PIN BUSHING RING	-	1
11	163108	CALIPER GUIDE PIN RUBBER BUSHING	∅ 40 x 34 x 50 mm	1

**151136** > CALIPER GUIDE PIN & BUSHING REPAIR KIT



SB6 / SB7 / SN6 / SN7 / SK7

PART NO	GW NO	CONTENTS	DIMENSION	QTY.
1	160103	CALIPER GUIDE PIN	Ø 32 x 80 mm	1
2	161104	CALIPER GUIDE PIN BOLT	M16 x 1.5 x 80 mm	1
3	163103	CALIPER GUIDE PIN BUSHING LONG	Ø 39 mm	1
4	167101	CALIPER GUIDE PIN BUSHING RING	-	1

K000698

**151147** > CALIPER GUIDE PIN & BUSHING REPAIR KIT



SB6 / SB7 / SN6 / SN7 / SK7

PART NO	GW NO	CONTENTS	DIMENSION	QTY.
1	164103	CALIPER GUIDE PIN	Ø 32 x 80 mm	1
2	163103	CALIPER GUIDE PIN BUSHING LONG	Ø 39 mm	1
3	167101	CALIPER GUIDE PIN BUSHING RING	-	1

**151137** > CALIPER GUIDE PIN & BUSHING REPAIR KIT



SB6 / SB7 / SN6 / SN7 / SK7

PART NO	GW NO	CONTENTS	DIMENSION	QTY.
1	164103	CALIPER GUIDE PIN	Ø 32 x 80 mm	1
2	163103	CALIPER GUIDE PIN BUSHING LONG	Ø 39 mm	1

K000697

**150126** > CALIPER BOOT & BUSHING REPAIR KIT



SB6 / SB7 / SN6 / SN7

PART NO	GW NO	CONTENTS	DIMENSION	QTY.
1	162106	CALIPER GUIDE PIN BOOT	-	1
2	165101	CALIPER GUIDE PIN BOOT RING	-	1
3	163101	CALIPER LEVER BUSHING	-	1
4	163103	CALIPER GUIDE PIN BUSHING LONG	Ø 39 mm	1
5	163104	CALIPER GUIDE PIN BUSHING	Ø 40 x 36 x 82 mm	1
6	164104	CALIPER SENSOR COVER CAP	Ø 38 mm	1
7	164105	CALIPER GUIDE PIN CAP	Ø 40 x 14.5 mm	1

**151167** > CALIPER GUIDE PIN & BUSHING REPAIR KIT



PART NO	GW NO	CONTENTS	DIMENSION	QTY.
1	16004	CALIPER GUIDE PIN	∅ 34 x 80 mm	1
2	16006	CALIPER GUIDE PIN	∅ 36 x 114 mm	1
3	16002	CALIPER GUIDE PIN	∅ 32 x 88 mm	1
4	16004	CALIPER GUIDE PIN BOLT	M16 x 1.5 x 80 mm	1
5	16005	CALIPER GUIDE PIN BOLT	M16 x 1.5 x 85 mm	2
6	16206	CALIPER GUIDE PIN BOOT	-	1
7	16600	CALIPER GUIDE PIN BOOT RING	-	1
8	16303	CALIPER GUIDE PIN BUSHING LONG	∅ 39 mm	1
9	16304	CALIPER GUIDE PIN BUSHING	∅ 40 x 36 x 82 mm	1
10	16308	CALIPER GUIDE PIN RUBBER BUSHING	∅ 40 x 34 x 50 mm	1
11	16402	CALIPER GUIDE PIN CAP	∅ 54 x 28 mm	1
12	16800	CALIPER GUIDE PIN CAP O-RING	-	1
13	16405	CALIPER GUIDE PIN CAP	∅ 40 x 14.5 mm	1

SN7

000 421 674

**151141** > CALIPER GUIDE PIN & BUSHING REPAIR KIT



SN7

PART NO	GW NO	CONTENTS	DIMENSION	QTY.
1	16006	CALIPER GUIDE PIN	∅ 36 x 114 mm	1
2	16002	CALIPER GUIDE PIN	∅ 32 x 88 mm	1
3	16004	CALIPER GUIDE PIN BOLT	M16 x 1.5 x 80 mm	1
4	16005	CALIPER GUIDE PIN BOLT	M16 x 1.5 x 85 mm	1
5	16206	CALIPER GUIDE PIN BOOT	-	1
6	16600	CALIPER GUIDE PIN BOOT RING	-	1
7	16303	CALIPER GUIDE PIN BUSHING LONG	∅ 39 mm	1
8	16304	CALIPER GUIDE PIN BUSHING	∅ 40 x 36 x 82 mm	1
9	16402	CALIPER GUIDE PIN CAP	∅ 54 x 28 mm	1
10	16800	CALIPER GUIDE PIN CAP O-RING	-	1

**151152** > CALIPER GUIDE PIN & BUSHING REPAIR KIT



SN7

PART NO	GW NO	CONTENTS	DIMENSION	QTY.
1	16006	CALIPER GUIDE PIN	∅ 36 x 114 mm	1
2	16002	CALIPER GUIDE PIN	∅ 32 x 88 mm	1
3	16004	CALIPER GUIDE PIN BOLT	M16 x 1.5 x 80 mm	1
4	16005	CALIPER GUIDE PIN BOLT	M16 x 1.5 x 85 mm	1
5	16206	CALIPER GUIDE PIN BOOT	-	1
6	16600	CALIPER GUIDE PIN BOOT RING	-	1
7	16303	CALIPER GUIDE PIN BUSHING LONG	∅ 39 mm	1
8	16304	CALIPER GUIDE PIN BUSHING	∅ 40 x 36 x 82 mm	1
9	16405	CALIPER GUIDE PIN CAP	∅ 40 x 14.5 mm	1

K052759K50

**151175** > CALIPER GUIDE PIN & BUSHING REPAIR KIT



SN7

**163103** > CALIPER GUIDE PIN BUSHING LONG ∅ 39 mm



SB6 / SB7 / SN6 / SN7 / SK7

SB6 & SB7 & SN6 &  
SN7 & SK7 & SL6 & SL7  
& SM7 & ST7 & NA7

**Gewinner**

Original Teile & Geprägte Qualität

www.gewinnerbrake.com

SB6 & SB7 & SN6 & SN7 & SK7 & ST6 & SL7 & SM7 & ST7 & NA7

**151183** > CALIPER GUIDE PIN & PIN BUSHING REPAIR KIT



SN7

PART NO.	GW NO.	CONTENTS	DIMENSION	QTY.
1	16101	CALIPER GUIDE PIN	∅ 32 x 84 mm	1
2	161016	CALIPER GUIDE PIN	∅ 36 x 114 mm	1
3	161014	CALIPER GUIDE PIN BOLT	M16 x 1.5 x 80 mm	1
4	161015	CALIPER GUIDE PIN BOLT	M16 x 1.5 x 85 mm	1
5	162106	CALIPER GUIDE PIN BOOT	-	1
6	166001	CALIPER GUIDE PIN BOOT RING	-	1
7	162102	CALIPER GUIDE PIN BOOT	-	1
8	166003	CALIPER GUIDE PIN BOOT RING	-	1
9	163004	CALIPER GUIDE PIN BUSHING	∅ 40 x 36 x 82 mm	1
10	163001	CALIPER GUIDE PIN BUSHING	∅ 39 mm	1
11	164015	CALIPER GUIDE PIN CAP	∅ 40 x 14.5 mm	1
12	164019	CALIPER GUIDE PIN CAP	∅ 40 x 36.5 mm	1
13	164011	CALIPER BODY SIDE HOLE PLUG	-	1
14	164103	BRAKE CHAMBER SEAL	∅ 42 mm	1

**151148** > CALIPER GUIDE PIN & PIN BUSHING REPAIR KIT



SN7

K0117  
K133158K50  
K03184K50

PART NO.	GW NO.	CONTENTS	DIMENSION	QTY.
1	16101	CALIPER GUIDE PIN	∅ 32 x 84 mm	1
2	161016	CALIPER GUIDE PIN	∅ 36 x 114 mm	1
3	161014	CALIPER GUIDE PIN BOLT	M16 x 1.5 x 80 mm	1
4	161015	CALIPER GUIDE PIN BOLT	M16 x 1.5 x 85 mm	1
5	162106	CALIPER GUIDE PIN BOOT	-	1
6	166001	CALIPER GUIDE PIN BOOT RING	-	1
7	162102	CALIPER GUIDE PIN BOOT	-	1
8	166003	CALIPER GUIDE PIN BOOT RING	-	1
9	163004	CALIPER GUIDE PIN BUSHING	∅ 40 x 36 x 82 mm	1
10	163001	CALIPER GUIDE PIN BUSHING	∅ 39 mm	1
11	164015	CALIPER GUIDE PIN CAP	∅ 40 x 14.5 mm	1
12	164019	CALIPER GUIDE PIN CAP	∅ 40 x 36.5 mm	1
13	164012	CALIPER GUIDE PIN CAP	∅ 54 x 28 mm	1
14	164001	CALIPER GUIDE PIN CAP O-RING	-	1

**151173** > CALIPER GUIDE PIN & PIN BUSHING REPAIR KIT



SN7

K105599K55

PART NO.	GW NO.	CONTENTS	DIMENSION	QTY.
1	16101	CALIPER GUIDE PIN	∅ 32 x 84 mm	1
2	161015	CALIPER GUIDE PIN	∅ 36 x 114 mm	1
3	161014	CALIPER GUIDE PIN BOLT	M16 x 1.5 x 80 mm	1
4	161015	CALIPER GUIDE PIN BOLT	M16 x 1.5 x 85 mm	1
5	162106	CALIPER GUIDE PIN BOOT	-	1
6	166001	CALIPER GUIDE PIN BOOT RING	-	1
7	162102	CALIPER GUIDE PIN BOOT	-	1
8	166003	CALIPER GUIDE PIN BOOT RING	-	1
9	163004	CALIPER GUIDE PIN BUSHING	∅ 40 x 36 x 82 mm	1
10	163001	CALIPER GUIDE PIN BUSHING	∅ 39 mm	1
11	164012	CALIPER GUIDE PIN CAP	∅ 54 x 28 mm	1
12	164001	CALIPER GUIDE PIN CAP O-RING	-	1
13	164015	CALIPER GUIDE PIN CAP	∅ 40 x 14.5 mm	1
14	164019	CALIPER GUIDE PIN CAP	∅ 40 x 36.5 mm	1

**163110** > CALIPER GUIDE PIN BUSHING ∅ 39 mm



SB7 / SN7

**142101** > CALIPER BUSHING TOOL KIT



COMPATIBLE BUSHING

16300



## 151177 &gt; CALIPER GUIDE PIN &amp; PIN BUSHING REPAIR KIT



SB6 / SB7

PART NO	GW NO	CONTENTS	DIMENSION	QTY.
1	160103	CALIPER GUIDE PIN	Ø 32 x 80 mm	1
2	160106	CALIPER GUIDE PIN	Ø 36 x 114 mm	1
3	161104	CALIPER GUIDE PIN BOLT	M16 x 1.5 x 80 mm	1
4	161105	CALIPER GUIDE PIN BOLT	M16 x 1.5 x 85 mm	1
5	162106	CALIPER GUIDE PIN BOOT	-	1
6	164108	CALIPER GUIDE PIN BOOT RING	-	1
7	163104	CALIPER GUIDE PIN BUSHING	Ø 40 x 36 x 82 mm	1
8	163101	CALIPER GUIDE PIN BUSHING LONG	Ø 35 mm	1
9	162101	CALIPER GUIDE PIN BUSHING RING	-	1
10	164102	CALIPER GUIDE PIN CAP	Ø 54 x 28 mm	1
11	168108	CALIPER GUIDE PIN CAP O-RING	-	1
12	164105	CALIPER GUIDE PIN CAP	Ø 40 x 14.5 mm	1

## 151100 &gt; CALIPER GUIDE PIN &amp; PIN BUSHING REPAIR KIT



SB6 / SB7

PART NO	GW NO	CONTENTS	DIMENSION	QTY.
1	160103	CALIPER GUIDE PIN	Ø 32 x 80 mm	1
2	160106	CALIPER GUIDE PIN	Ø 36 x 114 mm	1
3	161104	CALIPER GUIDE PIN BOLT	M16 x 1.5 x 80 mm	1
4	161105	CALIPER GUIDE PIN BOLT	M16 x 1.5 x 85 mm	1
5	162106	CALIPER GUIDE PIN BOOT	-	1
6	164108	CALIPER GUIDE PIN BOOT RING	-	1
7	163104	CALIPER GUIDE PIN BUSHING	Ø 40 x 36 x 82 mm	1
8	163101	CALIPER GUIDE PIN BUSHING LONG	Ø 35 mm	1
9	162101	CALIPER GUIDE PIN BUSHING RING	-	1
10	164102	CALIPER GUIDE PIN CAP	Ø 54 x 28 mm	1
11	168108	CALIPER GUIDE PIN CAP O-RING	-	1

K001532

## 151151 &gt; CALIPER GUIDE PIN &amp; BUSHING REPAIR KIT



SB6 / SB7

PART NO	GW NO	CONTENTS	DIMENSION	QTY.
1	160103	CALIPER GUIDE PIN	Ø 32 x 80 mm	1
2	160106	CALIPER GUIDE PIN	Ø 36 x 114 mm	1
3	161104	CALIPER GUIDE PIN BOLT	M16 x 1.5 x 80 mm	1
4	161105	CALIPER GUIDE PIN BOLT	M16 x 1.5 x 85 mm	1
5	163101	CALIPER GUIDE PIN BUSHING LONG	Ø 35 mm	1
6	162101	CALIPER GUIDE PIN BUSHING RING	-	1

**151158** > CALIPER GUIDE PIN & BUSHING REPAIR KIT



SB6 / SB7

PART NO	GW NO	CONTENTS	DIMENSION	QTY.
1	160103	CALIPER GUIDE PIN	Ø 32 x 80 mm	1
2	161104	CALIPER GUIDE PIN BOLT	M16 x 1.5 x 80 mm	1
3	163111	CALIPER GUIDE PIN BUSHING LONG	Ø 35 mm	1
4	167101	CALIPER GUIDE PIN BUSHING RING	-	1
5	11125	BRAKE PAD SPRING	-	2

K000421

**151104** > CALIPER GUIDE PIN & PIN BUSHING REPAIR KIT



SB6 / SB7

PART NO	GW NO	CONTENTS	DIMENSION	QTY.
1	160103	CALIPER GUIDE PIN	Ø 32 x 80 mm	1
2	161104	CALIPER GUIDE PIN BOLT	M16 x 1.5 x 80 mm	1
3	163111	CALIPER GUIDE PIN BUSHING LONG	Ø 35 mm	1
4	167101	CALIPER GUIDE PIN BUSHING RING	-	1

**151179** > CALIPER GUIDE PIN & BUSHING REPAIR KIT



SB6 / SB7

PART NO	GW NO	CONTENTS	DIMENSION	QTY.
1	160103	CALIPER GUIDE PIN	Ø 32 x 80 mm	1
2	163111	CALIPER GUIDE PIN BUSHING LONG	Ø 35 mm	1
3	167101	CALIPER GUIDE PIN BUSHING RING	-	1

**151106** > CALIPER GUIDE PIN & BUSHING REPAIR KIT



SB6 / SB7

PART NO	GW NO	CONTENTS	DIMENSION	QTY.
1	16003	CALIPER GUIDE PIN	Ø 32 x 80 mm	1
2	16311	CALIPER GUIDE PIN BUSHING LONG	Ø 35 mm	1

**151176** > CALIPER GUIDE PIN & BUSHING REPAIR KIT



SB6 / SB7 / SN6 / SN7

PART NO	GW NO	CONTENTS	DIMENSION	QTY.
1	16012	CALIPER GUIDE PIN	Ø 32 x 88 mm	1
2	16311	CALIPER GUIDE PIN BUSHING LONG	Ø 35 mm	1
3	16304	CALIPER GUIDE PIN BOLT	M16 x 1.5 x 80 mm	1

**163111** > CALIPER GUIDE PIN BUSHING LONG Ø 35 mm



SB6 / SB7

**142101** > CALIPER BUSHING TOOL KIT



COMPATIBLE BUSHING

16311



**151155** > CALIPER GUIDE PIN & BUSHING REPAIR KIT



SB6 / SB7

PART NO	GW NO	CONTENTS	DIMENSION	QTY.
1	160103	CALIPER GUIDE PIN	Ø 32 x 80 mm	1
2	160106	CALIPER GUIDE PIN	Ø 36 x 114 mm	1
3	161104	CALIPER GUIDE PIN BOLT	M16 x 1.5 x 80 mm	1
4	161105	CALIPER GUIDE PIN BOLT	M16 x 1.5 x 85 mm	1
5	162106	CALIPER GUIDE PIN BOOT	-	1
6	166101	CALIPER GUIDE PIN BOOT RING	-	1
7	163104	CALIPER GUIDE PIN BUSHING	Ø 40 x 36 x 82 mm	1
8	163102	CALIPER GUIDE PIN BUSHING SHORT	Ø 35 mm	1
9	164102	CALIPER GUIDE PIN CAP	Ø 54 x 28 mm	1
10	164101	CALIPER GUIDE PIN CAP O-RING	-	1
11	164105	CALIPER GUIDE PIN CAP	Ø 40 x 14.5 mm	1

**151154** > CALIPER GUIDE PIN & BUSHING REPAIR KIT



SB6 / SB7

PART NO	GW NO	CONTENTS	DIMENSION	QTY.
1	160103	CALIPER GUIDE PIN	Ø 32 x 80 mm	1
2	160106	CALIPER GUIDE PIN	Ø 36 x 114 mm	1
3	161104	CALIPER GUIDE PIN BOLT	M16 x 1.5 x 80 mm	1
4	161105	CALIPER GUIDE PIN BOLT	M16 x 1.5 x 85 mm	1
5	162106	CALIPER GUIDE PIN BOOT	-	1
6	166101	CALIPER GUIDE PIN BOOT RING	-	1
7	163104	CALIPER GUIDE PIN BUSHING	Ø 40 x 36 x 82 mm	1
8	163102	CALIPER GUIDE PIN BUSHING SHORT	Ø 35 mm	1
9	164102	CALIPER GUIDE PIN CAP	Ø 54 x 28 mm	1
10	164101	CALIPER GUIDE PIN CAP O-RING	-	1

K048396K50

**163112** > CALIPER GUIDE PIN BUSHING SHORT Ø 35 mm



SB6 / SB7

**142101** > CALIPER BUSHING TOOL KIT



COMPATIBLE BUSHING

163102



**151114** > CALIPER GUIDE PIN & PIN BUSHING REPAIR KIT



SB6 / SB7

PART NO	GW NO	CONTENTS	DIMENSION	QTY.
1	160104	CALIPER GUIDE PIN	Ø 34 x 80 mm	1
2	160107	CALIPER GUIDE PIN	Ø 36 x 135 mm	1
3	162105	CALIPER GUIDE PIN BOLT	M16 x 1.5 x 85 mm	1
4	161017	CALIPER GUIDE PIN BOLT	M16 x 1.5 x 140 mm	1
5	162106	CALIPER GUIDE PIN BOOT	-	1
6	165108	CALIPER GUIDE PIN BOOT RING	-	1
7	162108	CALIPER BELLOW CAP	-	1
8	165108	CALIPER BELLOW CAP CLAMP	-	1
9	163104	CALIPER GUIDE PIN BUSHING	Ø 40 x 36 x 82 mm	1
10	163108	CALIPER GUIDE PIN RUBBER BUSHING	Ø 40 x 34 x 50 mm	1

K00002  
10350470062

**151117** > CALIPER GUIDE PIN & PIN BUSHING REPAIR KIT



SB6 / SB7

PART NO	GW NO	CONTENTS	DIMENSION	QTY.
1	160104	CALIPER GUIDE PIN	Ø 34 x 80 mm	1
2	160107	CALIPER GUIDE PIN	Ø 36 x 135 mm	1
3	162106	CALIPER GUIDE PIN BOOT	-	1
4	165108	CALIPER GUIDE PIN BOOT RING	-	1
5	162108	CALIPER BELLOW CAP	-	1
6	165108	CALIPER BELLOW CAP CLAMP	-	1
7	163104	CALIPER GUIDE PIN BUSHING	Ø 40 x 36 x 82 mm	1
8	163108	CALIPER GUIDE PIN RUBBER BUSHING	Ø 40 x 34 x 50 mm	1

**151132** > CALIPER GUIDE PIN & BUSHING REPAIR KIT



SB6 / SB7

PART NO	GW NO	CONTENTS	DIMENSION	QTY.
1	160104	CALIPER GUIDE PIN	Ø 34 x 80 mm	1
2	160107	CALIPER GUIDE PIN	Ø 36 x 135 mm	1
3	161025	CALIPER GUIDE PIN BOLT	M16 x 1.5 x 85 mm	1
4	161017	CALIPER GUIDE PIN BOLT	M16 x 1.5 x 140 mm	1
5	163108	CALIPER GUIDE PIN RUBBER BUSHING	Ø 40 x 34 x 50 mm	1

**151113** > CALIPER GUIDE PIN & PIN BUSHING REPAIR KIT



SB6 / SB7 / SN6 / SN7

PART NO	GW NO	CONTENTS	DIMENSION	QTY.
1	160104	CALIPER GUIDE PIN	Ø 34 x 80 mm	1
2	160106	CALIPER GUIDE PIN	Ø 36 x 114 mm	1
3	164005	CALIPER GUIDE PIN BOLT	M16 x 1.5 x 85 mm	2
4	162006	CALIPER GUIDE PIN BOOT	-	1
5	166000	CALIPER GUIDE PIN BOOT RING	-	1
6	163004	CALIPER GUIDE PIN BUSHING	Ø 40 x 36 x 82 mm	1
7	163008	CALIPER GUIDE PIN RUBBER BUSHING	Ø 40 x 34 x 50 mm	1
8	164002	CALIPER GUIDE PIN CAP	Ø 54 x 28 mm	1
9	166000	CALIPER GUIDE PIN CAP O-RING	-	1

1139769F0062

**151144** > CALIPER GUIDE PIN & BUSHING REPAIR KIT



SB7

PART NO	GW NO	CONTENTS	DIMENSION	QTY.
1	160104	CALIPER GUIDE PIN	Ø 34 x 80 mm	1
2	164007	CALIPER GUIDE PIN	Ø 36 x 135 mm	1
3	164005	CALIPER GUIDE PIN BOLT	M16 x 1.5 x 85 mm	1
4	164007	CALIPER GUIDE PIN BOLT	M16 x 1.5 x 140 mm	1
5	162000	CALIPER GUIDE PIN RUBBER CAP	-	1
6	162000	CALIPER GUIDE PIN BOOT	-	1
7	163004	CALIPER GUIDE PIN BUSHING	Ø 40 x 36 x 82 mm	1
8	163008	CALIPER GUIDE PIN RUBBER BUSHING	Ø 40 x 34 x 50 mm	1
9	165000	CALIPER BELLOW CAP CLAMP	-	1

1197140062

**151145** > CALIPER GUIDE PIN & BUSHING REPAIR KIT



SB7

PART NO	GW NO	CONTENTS	DIMENSION	QTY.
1	160104	CALIPER GUIDE PIN	Ø 34 x 80 mm	1
2	164007	CALIPER GUIDE PIN	Ø 36 x 135 mm	1
3	164005	CALIPER GUIDE PIN BOLT	M16 x 1.5 x 85 mm	1
4	164007	CALIPER GUIDE PIN BOLT	M16 x 1.5 x 140 mm	1
5	162009	CALIPER GUIDE PIN BELLOW CAP	-	1
6	162000	CALIPER GUIDE PIN BOOT	-	1
7	163004	CALIPER GUIDE PIN BUSHING	Ø 40 x 36 x 82 mm	1
8	163008	CALIPER GUIDE PIN RUBBER BUSHING	Ø 40 x 34 x 50 mm	1
9	165000	CALIPER BELLOW CAP CLAMP	-	1

1197130062

**151131** > CALIPER GUIDE PIN & PIN BUSHING REPAIR KIT



SB6 / SB7 / SN6 / SN7

PART NO.	GW NO.	CONTENTS	DIMENSION	QTY.
1	160014	CALIPER GUIDE PIN	Ø 34 x 80 mm	1
2	160016	CALIPER GUIDE PIN	Ø 36 x 114 mm	1
3	160025	CALIPER GUIDE PIN BOLT	M16 x 1.5 x 85 mm	2
4	161010	CALIPER GUIDE PIN RUBBER BUSHING	Ø 40 x 34 x 50 mm	1

**151119** > CALIPER GUIDE PIN & PIN BUSHING REPAIR KIT



SB7 / SB7 RADIAL

PART NO.	GW NO.	CONTENTS	DIMENSION	QTY.
1	160035	CALIPER GUIDE PIN	Ø 36 x 145 mm	1
2	160103	CALIPER GUIDE PIN	Ø 34 x 120 mm	1
3	160039	CALIPER GUIDE PIN BOLT	M16 x 1.5 x 150 mm	1
4	160039	CALIPER GUIDE PIN BOLT	M16 x 1.5 x 125 mm	1
5	162016	CALIPER GUIDE PIN BOOT	-	1
6	163101	CALIPER GUIDE PIN BOOT RING	-	1
7	162103	CALIPER BELLOW CAP	-	1
8	165101	CALIPER BELLOW CAP CLAMP	-	1
9	161014	CALIPER GUIDE PIN BUSHING	Ø 40 x 36 x 82 mm	1
10	163015	CALIPER GUIDE PIN RUBBER BUSHING	Ø 40 x 36 x 95 mm	1

1E58510062

**151143** > CALIPER GUIDE PIN & PIN BUSHING REPAIR KIT



SB7

PART NO.	GW NO.	CONTENTS	DIMENSION	QTY.
1	160103	CALIPER GUIDE PIN	Ø 34 x 120 mm	1
2	160017	CALIPER GUIDE PIN	Ø 36 x 135 mm	1
3	160039	CALIPER GUIDE PIN BOLT	M16 x 1.5 x 125 mm	1
4	160107	CALIPER GUIDE PIN BOLT	M16 x 1.5 x 140 mm	1
5	162021	CALIPER GUIDE PIN BELLOW CAP	-	1
6	165101	CALIPER BELLOW CAP CLAMP	-	1
7	162103	CALIPER GUIDE PIN BOOT	-	1
8	161014	CALIPER GUIDE PIN BUSHING	Ø 40 x 36 x 82 mm	1
9	163015	CALIPER GUIDE PIN RUBBER BUSHING	Ø 40 x 36 x 95 mm	1

11P9320062

**151149** > CALIPER GUIDE PIN & PIN BUSHING REPAIR KIT



SB7

PART NO	GW NO	CONTENTS	DIMENSION	QTY.
1	160015	CALIPER GUIDE PIN	∅ 36 x 64 mm	1
2	160016	CALIPER GUIDE PIN	∅ 36 x 114 mm	1
3	16002	CALIPER GUIDE PIN BOLT	M16 x 1.5 x 70 mm	1
4	16005	CALIPER GUIDE PIN BOLT	M16 x 1.5 x 85 mm	1
5	162016	CALIPER GUIDE PIN BOOT	-	2
6	16600	CALIPER GUIDE PIN BOOT RING	-	2
7	163004	CALIPER GUIDE PIN BUSHING	∅ 40 x 36 x 82 mm	1
8	163009	CALIPER GUIDE PIN BUSHING	∅ 40 x 36 x 20 mm	1
9	164002	CALIPER GUIDE PIN CAP	∅ 54 x 28 mm	1
10	16600	CALIPER GUIDE PIN CAP O-RING	-	1
11	164006	CALIPER GUIDE PIN CAP	∅ 40 x 24.5 mm	1

K01883

**151171** > CALIPER GUIDE PIN & PIN BUSHING REPAIR KIT



SB7 / SB7 RADIAL

PART NO	GW NO	CONTENTS	DIMENSION	QTY.
1	160110	CALIPER GUIDE PIN	∅ 34 x 120 mm	1
2	161109	CALIPER GUIDE PIN BOLT	M16 x 1.5 x 125 mm	1
3	163115	CALIPER GUIDE PIN RUBBER BUSHING	∅ 40 x 36 x 95 mm	1

I139830064

**151172** > CALIPER GUIDE PIN & PIN BUSHING REPAIR KIT



SB7 / SB7 RADIAL

PART NO	GW NO	CONTENTS	DIMENSION	QTY.
1	160110	CALIPER GUIDE PIN	∅ 34 x 120 mm	1
2	163115	CALIPER GUIDE PIN RUBBER BUSHING	∅ 40 x 36 x 95 mm	1

## 151115 &gt; CALIPER GUIDE PIN &amp; PIN BUSHING REPAIR KIT



## SB7 / SB7 RADIAL

PART NO	GW NO	CONTENTS	DIMENSION	QTY.
1	160104	CALIPER GUIDE PIN	Ø 34 x 80 mm	1
2	160108	CALIPER GUIDE PIN	Ø 36 x 145 mm	1
1	162103	CALIPER GUIDE PIN BOLT	M16 x 1.5 x 85 mm	1
4	162108	CALIPER GUIDE PIN BOLT	M16 x 1.5 x 150 mm	1
5	162106	CALIPER GUIDE PIN BOOT	-	1
6	166108	CALIPER GUIDE PIN BOOT RING	-	1
7	162108	CALIPER BELLOW CAP	-	1
8	165108	CALIPER BELLOW CAP CLAMP	-	1
9	163104	CALIPER GUIDE PIN BUSHING	Ø 40 x 36 x 82 mm	1
10	163108	CALIPER GUIDE PIN RUBBER BUSHING	Ø 40 x 34 x 50 mm	1

1039680062

## 151157 &gt; CALIPER GUIDE PIN &amp; PIN BUSHING REPAIR KIT



## SB6 / SB7

PART NO	GW NO	CONTENTS	DIMENSION	QTY.
1	160104	CALIPER GUIDE PIN	Ø 34 x 80 mm	1
2	160108	CALIPER GUIDE PIN	Ø 36 x 145 mm	1
3	160104	CALIPER GUIDE PIN BOLT	M16 x 1.5 x 80 mm	1
4	162108	CALIPER GUIDE PIN BOLT	M16 x 1.5 x 150 mm	1
5	162106	CALIPER GUIDE PIN BOOT	-	1
6	166108	CALIPER GUIDE PIN BOOT RING	-	1
7	162108	CALIPER BELLOW CAP	-	1
8	165108	CALIPER BELLOW CAP CLAMP	-	1
9	163108	CALIPER GUIDE PIN RUBBER BUSHING	Ø 40 x 34 x 50 mm	1

## 151133 &gt; CALIPER GUIDE PIN &amp; PIN BUSHING REPAIR KIT



## SB6 / SB7 / SB7 RADIAL

PART NO	GW NO	CONTENTS	DIMENSION	QTY.
1	160104	CALIPER GUIDE PIN	Ø 34 x 80 mm	1
2	160108	CALIPER GUIDE PIN	Ø 36 x 145 mm	1
3	162103	CALIPER GUIDE PIN BOLT	M16 x 1.5 x 85 mm	1
4	162108	CALIPER GUIDE PIN BOLT	M16 x 1.5 x 150 mm	1
5	163108	CALIPER GUIDE PIN RUBBER BUSHING	Ø 40 x 34 x 50 mm	1

**151184** > CALIPER GUIDE PIN & PIN BUSHING REPAIR KIT



SK7 / ST6 / ST7

PART NO.	GW NO.	CONTENTS	DIMENSION	QTY.
1	160015	CALIPER GUIDE PIN	Ø 36 x 64 mm	1
2	160016	CALIPER GUIDE PIN	Ø 36 x 114 mm	1
3	164012	CALIPER GUIDE PIN BOLT	M16 x 1.5 x 70 mm	1
4	164015	CALIPER GUIDE PIN BOLT	M16 x 1.5 x 85 mm	1
5	162016	CALIPER GUIDE PIN BOOT	-	2
6	166010	CALIPER GUIDE PIN BOOT RING	-	2
7	163014	CALIPER GUIDE PIN BUSHING	Ø 40 x 36 x 82 mm	1
8	163102	CALIPER GUIDE PIN BUSHING	Ø 40 x 36 x 20 mm	1
9	164015	CALIPER GUIDE PIN CAP	Ø 40 x 14,5 mm	1
10	164016	CALIPER GUIDE PIN CAP	Ø 40 x 24,5 mm	1
11	164016	CALIPER BODY SEAL CAP	-	1
12	164013	DRIVE CHAMBER SEAL	Ø 42 mm	1

**151170** > CALIPER GUIDE PIN & PIN BUSHING REPAIR KIT

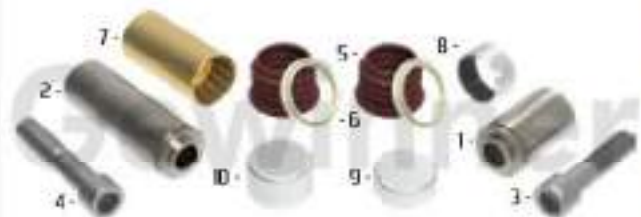


SN6 / SN7 / SK7 / SL7 / ST7

PART NO.	GW NO.	CONTENTS	DIMENSION	QTY.
1	160015	CALIPER GUIDE PIN	Ø 36 x 64 mm	1
2	160016	CALIPER GUIDE PIN	Ø 36 x 114 mm	1
3	164012	CALIPER GUIDE PIN BOLT	M16 x 1.5 x 70 mm	1
4	164015	CALIPER GUIDE PIN BOLT	M16 x 1.5 x 85 mm	1
5	162016	CALIPER GUIDE PIN BOOT	-	2
6	166010	CALIPER GUIDE PIN BOOT RING	-	2
7	163014	CALIPER GUIDE PIN BUSHING	Ø 40 x 36 x 82 mm	1
8	163102	CALIPER GUIDE PIN BUSHING	Ø 40 x 36 x 20 mm	1
9	164015	CALIPER GUIDE PIN CAP	Ø 40 x 14,5 mm	1
10	164016	CALIPER GUIDE PIN CAP	Ø 40 x 24,5 mm	1

K09002K50

**151129** > CALIPER GUIDE PIN & PIN BUSHING REPAIR KIT



SB6

PART NO.	GW NO.	CONTENTS	DIMENSION	QTY.
1	160015	CALIPER GUIDE PIN	Ø 36 x 64 mm	1
2	160016	CALIPER GUIDE PIN	Ø 36 x 114 mm	1
3	164012	CALIPER GUIDE PIN BOLT	M16 x 1.5 x 70 mm	1
4	164015	CALIPER GUIDE PIN BOLT	M16 x 1.5 x 85 mm	1
5	162016	CALIPER GUIDE PIN BOOT	-	2
6	166010	CALIPER GUIDE PIN BOOT RING	-	2
7	163014	CALIPER GUIDE PIN BUSHING	Ø 40 x 36 x 82 mm	1
8	163102	CALIPER GUIDE PIN BUSHING	Ø 40 x 36 x 20 mm	1
9	164015	CALIPER GUIDE PIN CAP	Ø 40 x 14,5 mm	1
10	164016	CALIPER GUIDE PIN CAP	Ø 40 x 24,5 mm	1

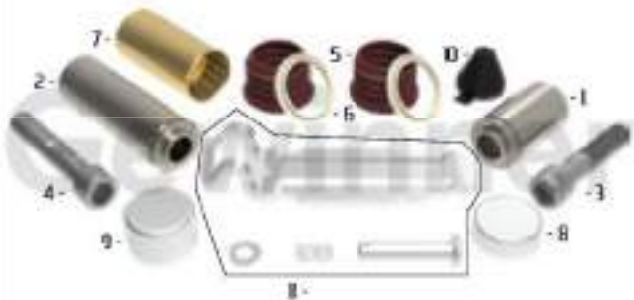
**151130** > CALIPER GUIDE PIN & PIN BUSHING REPAIR KIT



SB7

PART NO	GW NO	CONTENTS	DIMENSION	QTY.
1	164015	CALIPER GUIDE PIN	Ø 36 x 64 mm	1
2	164022	CALIPER GUIDE PIN BOLT	M16 x 1,5 x 70 mm	1
3	162106	CALIPER GUIDE PIN BOOT	-	1
4	164108	CALIPER GUIDE PIN BOOT RING	-	1
5	161104	CALIPER GUIDE PIN BUSHING	Ø 40 x 36 x 20 mm	1
6	164106	CALIPER GUIDE PIN CAP	Ø 40 x 24,5 mm	1

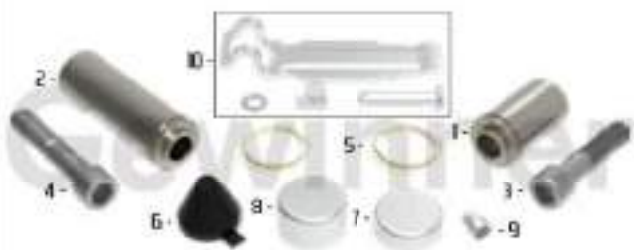
**111122** > CALIPER GUIDE PIN & PIN BUSHING REPAIR KIT



SK7

PART NO	GW NO	CONTENTS	DIMENSION	QTY.
1	164015	CALIPER GUIDE PIN	Ø 36 x 64 mm	1
2	164016	CALIPER GUIDE PIN	Ø 36 x 114 mm	1
3	164022	CALIPER GUIDE PIN BOLT	M16 x 1,5 x 70 mm	1
4	164025	CALIPER GUIDE PIN BOLT	M16 x 1,5 x 85 mm	1
5	162106	CALIPER GUIDE PIN BOOT	-	2
6	164108	CALIPER GUIDE PIN BOOT RING	-	2
7	161104	CALIPER GUIDE PIN BUSHING	Ø 40 x 36 x 82 mm	1
8	164105	CALIPER GUIDE PIN CAP	Ø 40 x 14,5 mm	1
9	164106	CALIPER GUIDE PIN CAP	Ø 40 x 24,5 mm	1
10	164108	CALIPER SENSOR COVER CAP	Ø 35 mm	1
11	11101	CALIPER BRAKE PAD RETAINER KIT	h= 25 mm	1

**111108** > CALIPER GUIDE PIN & PIN BUSHING REPAIR KIT



SN6 / SK7

PART NO	GW NO	CONTENTS	DIMENSION	QTY.
1	164015	CALIPER GUIDE PIN	Ø 36 x 64 mm	1
2	164016	CALIPER GUIDE PIN	Ø 36 x 114 mm	1
3	164022	CALIPER GUIDE PIN BOLT	M16 x 1,5 x 70 mm	1
4	164025	CALIPER GUIDE PIN BOLT	M16 x 1,5 x 85 mm	1
5	164108	CALIPER GUIDE PIN BOOT RING	-	2
6	164104	CALIPER SENSOR COVER CAP	Ø 38 mm	1
7	164105	CALIPER GUIDE PIN CAP	Ø 40 x 14,5 mm	1
8	164106	CALIPER GUIDE PIN CAP	Ø 40 x 24,5 mm	1
9	161108	CALIPER ADJUSTING MECHANISM SHAFT ADAPTER	-	1
10	11101	CALIPER BRAKE PAD RETAINER KIT	h= 25 mm	1

K001007

**151142 > CALIPER GUIDE PIN & PIN BUSHING REPAIR KIT**



SN6 / SN7

PART NO	GW NO	CONTENTS	DIMENSION	QTY.
1	16014	CALIPER GUIDE PIN	Ø 36 x 70 mm	1
2	16016	CALIPER GUIDE PIN	Ø 36 x 114 mm	1
3	16125	CALIPER GUIDE PIN BOLT	M16 x 1.5 x 75 mm	1
4	16405	CALIPER GUIDE PIN BOLT	M16 x 1.5 x 85 mm	1
5	16206	CALIPER GUIDE PIN BOOT	-	2
6	16600	CALIPER GUIDE PIN BOOT RING	-	2
7	16304	CALIPER GUIDE PIN BUSHING	Ø 40 x 36 x 82 mm	1
8	16302	CALIPER GUIDE PIN BUSHING	Ø 40 x 36 x 20 mm	1
9	16404	CALIPER SENSOR COVER CAP	Ø 38 mm	1
10	16405	CALIPER GUIDE PIN CAP	Ø 40 x 14.5 mm	1
11	16410	CALIPER GUIDE PIN CAP	Ø 40 x 31 mm	1

**151162 > CALIPER GUIDE PIN & PIN BUSHING REPAIR KIT**



SN6 / SN7

PART NO	GW NO	CONTENTS	DIMENSION	QTY.
1	16014	CALIPER GUIDE PIN	Ø 36 x 70 mm	1
2	16016	CALIPER GUIDE PIN	Ø 36 x 114 mm	1
3	16125	CALIPER GUIDE PIN BOLT	M16 x 1.5 x 75 mm	1
4	16405	CALIPER GUIDE PIN BOLT	M16 x 1.5 x 85 mm	1
5	16206	CALIPER GUIDE PIN BOOT	-	2
6	16600	CALIPER GUIDE PIN BOOT RING	-	2
7	16304	CALIPER GUIDE PIN BUSHING	Ø 40 x 36 x 82 mm	1
8	16302	CALIPER GUIDE PIN BUSHING	Ø 40 x 36 x 20 mm	1
9	16405	CALIPER GUIDE PIN CAP	Ø 40 x 14.5 mm	1
10	16410	CALIPER GUIDE PIN CAP	Ø 40 x 31 mm	1

K002872

**151161 > CALIPER GUIDE PIN & PIN BUSHING REPAIR KIT**



SN6 / SN7

PART NO	GW NO	CONTENTS	DIMENSION	QTY.
1	16014	CALIPER GUIDE PIN	Ø 36 x 70 mm	1
2	16125	CALIPER GUIDE PIN BOLT	M16 x 1.5 x 75 mm	1
3	16405	CALIPER GUIDE PIN BOLT	M16 x 1.5 x 85 mm	1
4	16206	CALIPER GUIDE PIN BOOT	-	1
5	16600	CALIPER GUIDE PIN BOOT RING	-	1
6	16302	CALIPER GUIDE PIN BUSHING	Ø 40 x 36 x 20 mm	1
7	16405	CALIPER GUIDE PIN CAP	Ø 40 x 14.5 mm	1
8	16410	CALIPER GUIDE PIN CAP	Ø 40 x 31 mm	1

K00692

**156122 > CALIPER BOOT & CAP REPAIR KIT**



SN6 / SN7

PART NO	GW NO	CONTENTS	DIMENSION	QTY.
1	162106	CALIPER GUIDE PIN BOOT	-	2
2	166101	CALIPER GUIDE PIN BOOT RING	-	2
3	16387	CALIPER GUIDE PIN BUSHING	Ø 40 x 36 x 20 mm	1
4	16404	CALIPER SENSOR COVER CAP	Ø 38 mm	1
5	164105	CALIPER GUIDE PIN CAP	Ø 40 x 14,5 mm	1
6	16417	CALIPER GUIDE PIN CAP	Ø 40 x 31 mm	1

**156110 > CALIPER BOOT REPAIR KIT**



SB6 / SB7 / SB7 RADIAL / SN6 / SN7

PART NO	GW NO	CONTENTS	DIMENSION	QTY.
1	162106	CALIPER GUIDE PIN BOOT	-	1
2	166101	CALIPER GUIDE PIN BOOT RING	-	1
3	162108	CALIPER BELLOW CAP	-	1
4	165101	CALIPER BELLOW CAP CLAMP	-	1
5	163101	CALIPER ADJUSTING MECHANISM SHAFT ADAPTER	-	1

**156121 > CALIPER BOOT REPAIR KIT**



SB6 / SB7 / SN6 / SN7 / SK7

PART NO	GW NO	CONTENTS	DIMENSION	QTY.
1	162106	CALIPER GUIDE PIN BOOT	-	1
2	166101	CALIPER GUIDE PIN BOOT RING	-	1
3	164103	CALIPER SENSOR COVER CAP	-	1
4	167101	CALIPER GUIDE PIN BUSHING RING	-	1

**156104 > CALIPER GUIDE PIN CAP & BOOT REPAIR KIT**



SB6 / SB7 / SN6 / SN7

0328090061

PART NO	GW NO	CONTENTS	DIMENSION	QTY.
1	162106	CALIPER GUIDE PIN BOOT	-	1
2	166101	CALIPER GUIDE PIN BOOT RING	-	1
3	164102	CALIPER GUIDE PIN CAP	Ø 54 x 28 mm	1
4	168101	CALIPER GUIDE PIN CAP O-RING	-	1

**150111 > CALIPER GUIDE PIN BOOT KIT**



09.801.06.34.0

SB6 / SB7 / SB7 RADIAL / SN6 / SN7 / SK7 / ST6 / SL7 / SM7 / ST7

PART NO	GW NO	CONTENTS	DIMENSION	QTY.
1	162106	CALIPER GUIDE PIN BOOT	-	1
2	166101	CALIPER GUIDE PIN BOOT RING	-	1

**150124 > CALIPER BOOT REPAIR KIT**



SB7 / SN7

PART NO	GW NO	CONTENTS	DIMENSION	QTY.
1	162112	CALIPER GUIDE PIN BOOT	-	1
2	166103	CALIPER GUIDE PIN BOOT RING	-	1

**152102** > CALIPER TABBET & BOOT REPAIR KIT



SB6 / SB7 / SB7 RADIAL

PART NO	GW NO	CONTENTS	DIMENSION	QTY.
1	162102	CALIPER TAPPET & BOOT ASSEMBLY	∅ 74 mm	2
2	162105	CALIPER SHAFT HOUSING BOOT	∅ 74 mm	2
3	163105	CALIPER CALIBRATION BOLT BUSHING	∅ 18 x 16 x 10 mm	2
4	162106	CALIPER GUIDE PIN BOOT	-	1
5	166101	CALIPER GUIDE PIN BOOT RING	-	1
6	162108	CALIPER BELLOW CAP	-	1
7	165101	CALIPER BELLOW CAP CLAMP	-	1
8	163104	CALIPER GUIDE PIN BUSHING	∅ 40 x 36 x 82 mm	1
9	163100	CALIPER GUIDE PIN RUBBER BUSHING	∅ 40 x 34 x 50 mm	1
10	164104	CALIPER SENSOR COVER CAP	∅ 38 mm	1
11	164102	CALIPER GUIDE PIN CAP	∅ 54 x 28 mm	1
12	166101	CALIPER GUIDE PIN CAP O-RING	-	1
13	167101	CALIPER GUIDE PIN BUSHING RING	-	1

**152104** > CALIPER TABBET & BOOT REPAIR KIT



SB6 / SB7 / SB7 RADIAL

PART NO	GW NO	CONTENTS	DIMENSION	QTY.
1	162102	CALIPER TAPPET & BOOT ASSEMBLY	∅ 74 mm	2
2	163105	CALIPER CALIBRATION BOLT BUSHING	∅ 18 x 16 x 10 mm	2
3	162106	CALIPER GUIDE PIN BOOT	-	1
4	166101	CALIPER GUIDE PIN BOOT RING	-	1
5	162108	CALIPER BELLOW CAP	-	1
6	165101	CALIPER BELLOW CAP CLAMP	-	1
7	163100	CALIPER GUIDE PIN RUBBER BUSHING	∅ 40 x 34 x 50 mm	1

**101107** > CALIPER ADJUSTING MECHANISM KIT



SB6 / SB7 / SB7 RADIAL

PART NO	GW NO	CONTENTS	DIMENSION	QTY.
1	101101	CALIPER ADJUSTING MECHANISM SHAFT	-	1
2	102101	CALIPER ADJUSTING MECHANISM SHAFT PINION GEAR	-	1
3	162102	CALIPER TAPPET & BOOT ASSEMBLY	∅ 74 mm	2
4	162105	CALIPER SHAFT HOUSING BOOT	∅ 74 mm	2
5	163105	CALIPER CALIBRATION BOLT BUSHING	∅ 18 x 16 x 10 mm	2
6	161101	CALIPER CALIBRATION BOLT 3 THREAD	-	2

**150105 > CALIPER TAPPET & BOOT REPAIR KIT**



K000944  
K000604  
K000606  
K192252K50  
I1304B0065

SB6 / SB7 / SB7 RADIAL

PART NO.	GW NO.	CONTENTS	DIMENSION	QTY.
1	162102	CALIPER TAPPET & BOOT ASSEMBLY	Ø 74 mm	2
2	162105	CALIPER SHAFT HOUSING BOOT	Ø 74 mm	2
3	163105	CALIPER CALIBRATION BOLT BUSHING	Ø 18 x 16 x 10 mm	2

**150107 > CALIPER TAPPET REPAIR KIT**



SB6 / SB7 / SB7 RADIAL

PART NO.	GW NO.	CONTENTS	DIMENSION	QTY.
1	162102	CALIPER TAPPET & BOOT ASSEMBLY	Ø 74 mm	1
2	163105	CALIPER CALIBRATION BOLT BUSHING	Ø 18 x 16 x 10 mm	1
3	162105	CALIPER SHAFT HOUSING BOOT	Ø 74 mm	1

**150122 > CALIPER TAPPET & BOOT REPAIR KIT**



SB6 / SB7 / SB7 RADIAL

PART NO.	GW NO.	CONTENTS	DIMENSION	QTY.
1	162102	CALIPER TAPPET & BOOT ASSEMBLY	Ø 74 mm	2
2	162116	CALIPER SHAFT HOUSING BOOT	Ø 74 mm	2
3	163105	CALIPER CALIBRATION BOLT BUSHING	Ø 18 x 16 x 10 mm	2

**150123 > CALIPER TAPPET REPAIR KIT**



SB6 / SB7 / SB7 RADIAL

PART NO.	GW NO.	CONTENTS	DIMENSION	QTY.
1	162102	CALIPER TAPPET & BOOT ASSEMBLY	Ø 74 mm	1
2	162116	CALIPER SHAFT HOUSING BOOT	Ø 74 mm	1
3	163105	CALIPER CALIBRATION BOLT BUSHING	Ø 18 x 16 x 10 mm	1

**150106 > CALIPER TAPPET & BOOT REPAIR KIT**



11179320065  
I1304B0065

SB6 / SB7 / SB7 RADIAL

PART NO.	GW NO.	CONTENTS	DIMENSION	QTY.
1	162102	CALIPER TAPPET & BOOT ASSEMBLY	Ø 74 mm	2
2	163105	CALIPER CALIBRATION BOLT BUSHING	Ø 18 x 16 x 10 mm	2

**150108 > CALIPER TAPPET REPAIR KIT**



SB6 / SB7 / SB7 RADIAL

PART NO.	GW NO.	CONTENTS	DIMENSION	QTY.
1	162102	CALIPER TAPPET & BOOT ASSEMBLY	Ø 74 mm	1
2	163105	CALIPER CALIBRATION BOLT BUSHING	Ø 18 x 16 x 10 mm	1

**152101** > CALIPER TABBET & BOOT REPAIR KIT



SNG / SN7

PART NO	GW NO	CONTENTS	DIMENSION	QTY.
1	16200	CALIPER TAPPET & BOOT ASSEMBLY	∅ 69 mm	2
2	162004	CALIPER SHAFT HOUSING BOOT	∅ 69 mm	2
3	163005	CALIPER CALIBRATION BOLT BUSHING	∅ 18 x 16 x 10 mm	2
4	162006	CALIPER GUIDE PIN BOOT	-	1
5	166001	CALIPER GUIDE PIN BOOT RING	-	1
6	162008	CALIPER BELLOW CAP	-	1
7	165001	CALIPER BELLOW CAP CLAMP	-	1
8	163004	CALIPER GUIDE PIN BUSHING	∅ 40 x 36 x 82 mm	1
9	163008	CALIPER GUIDE PIN RUBBER BUSHING	∅ 40 x 34 x 50 mm	1
10	164004	CALIPER SENSOR COVER CAP	∅ 38 mm	1
11	164002	CALIPER GUIDE PIN CAP	∅ 54 x 28 mm	1
12	166001	CALIPER GUIDE PIN CAP O-RING	-	1
13	167001	CALIPER GUIDE PIN BUSHING RING	-	1

**152103** > CALIPER TABBET & BOOT REPAIR KIT



SNG / SN7

PART NO	GW NO	CONTENTS	DIMENSION	QTY.
1	16200	CALIPER TAPPET & BOOT ASSEMBLY	∅ 69 mm	2
2	163005	CALIPER CALIBRATION BOLT BUSHING	∅ 18 x 16 x 10 mm	2
3	162006	CALIPER GUIDE PIN BOOT	-	1
4	166001	CALIPER GUIDE PIN BOOT RING	-	1
5	162008	CALIPER BELLOW CAP	-	1
6	165001	CALIPER BELLOW CAP CLAMP	-	1
7	163008	CALIPER GUIDE PIN RUBBER BUSHING	∅ 40 x 34 x 50 mm	1

**101189** > CALIPER TABBET & BOOT REPAIR KIT



SNG / SN7 / SK7 / ST5

PART NO	GW NO	CONTENTS	DIMENSION	QTY.
1	101001	CALIPER ADJUSTING MECHANISM SHAFT	-	1
2	102001	CALIPER ADJUSTING MECHANISM SHAFT PINION GEAR	-	1
3	16200	CALIPER TAPPET & BOOT ASSEMBLY	∅ 69 mm	2
4	162004	CALIPER SHAFT HOUSING BOOT	∅ 69 mm	2
5	163005	CALIPER CALIBRATION BOLT BUSHING	∅ 18 x 16 x 10 mm	2
6	161001	CALIPER CALIBRATION BOLT 3 THREAD	-	2

**150101** > CALIPER TAPPET & BOOT REPAIR KIT



K001300  
K001603  
K000366  
K092079

SN6 / SN7 / SK7 / ST6

PART NO.	GW NO.	CONTENTS	DIMENSION	QTY.
1	16201	CALIPER TAPPET & BOOT ASSEMBLY	∅ 69 mm	2
2	16204	CALIPER SHAFT HOUSING BOOT	∅ 69 mm	2
3	16305	CALIPER CALIBRATION BOLT BUSHING	∅ 18 x 16 x 10 mm	2

**150103** > CALIPER TAPPET & BOOT REPAIR KIT



SN6 / SN7 / SK7 / ST6

PART NO.	GW NO.	CONTENTS	DIMENSION	QTY.
1	16201	CALIPER TAPPET & BOOT ASSEMBLY	∅ 69 mm	1
2	16204	CALIPER SHAFT HOUSING BOOT	∅ 69 mm	1
3	16305	CALIPER CALIBRATION BOLT BUSHING	∅ 18 x 16 x 10 mm	1

**150120** > CALIPER TAPPET & BOOT REPAIR KIT



SN6 / SN7 / SK7 / ST6

PART NO.	GW NO.	CONTENTS	DIMENSION	QTY.
1	16201	CALIPER TAPPET & BOOT ASSEMBLY	∅ 69 mm	2
2	16205	CALIPER SHAFT HOUSING BOOT	∅ 69 mm	2
3	16305	CALIPER CALIBRATION BOLT BUSHING	∅ 18 x 16 x 10 mm	2

**150130** > CALIPER TAPPET & BOOT REPAIR KIT



SN6 / SN7 / SK7 / ST6

PART NO.	GW NO.	CONTENTS	DIMENSION	QTY.
1	16201	CALIPER TAPPET & BOOT ASSEMBLY	∅ 69 mm	1
2	16215	CALIPER SHAFT HOUSING BOOT	∅ 69 mm	1
3	16305	CALIPER CALIBRATION BOLT BUSHING	∅ 18 x 16 x 10 mm	1

**150102** > CALIPER TAPPET & BOOT REPAIR KIT



SN6 / SN7 / SK7 / ST6

PART NO.	GW NO.	CONTENTS	DIMENSION	QTY.
1	162101	CALIPER TAPPET & BOOT ASSEMBLY	∅ 69 mm	2
2	163105	CALIPER CALIBRATION BOLT BUSHING	∅ 18 x 16 x 10 mm	2

**150104** > CALIPER TAPPET & BOOT REPAIR KIT



SN6 / SN7 / SK7 / ST6

PART NO.	GW NO.	CONTENTS	DIMENSION	QTY.
1	162101	CALIPER TAPPET & BOOT ASSEMBLY	∅ 69 mm	1
2	163105	CALIPER CALIBRATION BOLT BUSHING	∅ 18 x 16 x 10 mm	1

**150121** > CALIPER TAPPET & BOOT REPAIR KIT



SL7 / SM7

PART NO	GW NO	CONTENTS	DIMENSION	QTY.
1	16295	CALIPER TAPPET & BOOT ASSEMBLY	∅ 69 mm	2
2	16295	CALIPER SHAFT HOUSING BOOT	∅ 69 mm	2
3	16306	CALIPER CALIBRATION BOLT BUSHING	∅ 17 x 15 x 7 mm	2

K046523K50

**150131** > CALIPER TAPPET & BOOT REPAIR KIT



SL7 / SM7

PART NO	GW NO	CONTENTS	DIMENSION	QTY.
1	16219	CALIPER TAPPET & BOOT ASSEMBLY	∅ 69 mm	1
2	16215	CALIPER SHAFT HOUSING BOOT	∅ 69 mm	1
3	16316	CALIPER CALIBRATION BOLT BUSHING	∅ 17 x 15 x 7 mm	1

**150116** > CALIPER TAPPET & BOOT REPAIR KIT



SL7 / SM7 / ST7

PART NO	GW NO	CONTENTS	DIMENSION	QTY.
1	16295	CALIPER TAPPET & BOOT ASSEMBLY	∅ 69 mm	2
2	16306	CALIPER CALIBRATION BOLT BUSHING	∅ 17 x 15 x 7 mm	2

**150113** > CALIPER TAPPET & BOOT REPAIR KIT Ø 69 mm



SL7 / SM7 / ST7

PART NO	GW NO	CONTENTS	DIMENSION	QTY.
1	162104	CALIPER TAPPET & BOOT ASSEMBLY	Ø 69 mm	2
2	162104	CALIPER SHAFT HOUSING BOOT	Ø 69 mm	2
3	163116	CALIPER CALIBRATION BOLT BUSHING	Ø 17 x 15 x 7 mm	2

K186004K50

**150114** > CALIPER TABBET & BOOT REPAIR KIT



SL7 / SM7 / ST7

PART NO	GW NO	CONTENTS	DIMENSION	QTY.
1	162109	CALIPER TAPPET & BOOT ASSEMBLY	Ø 69 mm	1
2	162104	CALIPER SHAFT HOUSING BOOT	Ø 69 mm	1
3	163116	CALIPER CALIBRATION BOLT BUSHING	Ø 17 x 15 x 7 mm	1

**150115** > CALIPER TABBET & BOOT REPAIR KIT



SL7 / SM7 / ST7

PART NO	GW NO	CONTENTS	DIMENSION	QTY.
1	162109	CALIPER TAPPET & BOOT ASSEMBLY	Ø 69 mm	1
2	163116	CALIPER CALIBRATION BOLT BUSHING	Ø 17 x 15 x 7 mm	1

**150117** > CALIPER TAPPET & BOOT REPAIR KIT



SL7500 / SL7510

PART NO	GM NO	CONTENTS	DIMENSION	QTY.
1	16204	CALIPER TAPPET & BOOT ASSEMBLY	∅ 69 mm	2
2	16205	CALIPER SHAFT HOUSING BOOT	∅ 69 mm	2
3	18802	CALIPER CALIBRATION BOLT CIRCLIP	-	2

**150118** > CALIPER TAPPET & BOOT REPAIR KIT



SL7500 / SL7510

PART NO	GM NO	CONTENTS	DIMENSION	QTY.
1	16204	CALIPER TAPPET & BOOT ASSEMBLY	∅ 69 mm	2
2	18802	CALIPER CALIBRATION BOLT CIRCLIP	-	2

**150119** > CALIPER TAPPET & BOOT REPAIR KIT



SL7500 / SL7510

PART NO	GM NO	CONTENTS	DIMENSION	QTY.
1	16204	CALIPER TAPPET & BOOT ASSEMBLY	∅ 69 mm	1
2	18802	CALIPER CALIBRATION BOLT CIRCLIP	-	1

**110101** > CALIPER SHEET METAL COVER SET



SB6 / SB7 / SN6 / SN7 / SK7 / SM7 / ST7

PART NO	GW NO	CONTENTS	DIMENSION	QTY.
1	10031	CALIPER SHEET METAL COVER	-	1
2	16700	CALIPER COVER SCREW	M8 x 1,25 x 16 mm	8

**110106** > CALIPER SHEET METAL COVER SET



SN6 / SN7 / SL7

PART NO	GW NO	CONTENTS	DIMENSION	QTY.
1	10032	CALIPER SHEET METAL COVER	-	1
2	16700	CALIPER COVER SCREW	M8 x 1,25 x 16 mm	6
3	16702	CALIPER COVER SCREW	M8 x 1,25 x 50 mm	2

**110196** > CALIPER SHEET METAL COVER SET



SN6 / SN7 / SK7 / ST6 / ST7 / NA7

PART NO	GW NO	CONTENTS	DIMENSION	QTY.
1	10034	CALIPER SHEET METAL COVER	-	1
2	16700	CALIPER COVER SCREW	M8 x 1,25 x 16 mm	6

**110127** > CALIPER SHEET METAL COVER



SL7500 / SL7510

SB6 & SB7 & SN6 & SN7 & SK7 & SL7 & SM7 & ST7 & NA7

**110104** >> CALIPER SENSOR COVER WITHOUT SENSOR

MERCEDES-BENZ : ACTROS / AXOR / ATEGO  
MAN : TGA



SB6 / SB7 / SN6 / SN7 / SK7 / SL7 / SM7

**110103** >> CALIPER SENSOR COVER WITH 2 WIRES MERCEDES-BENZ TYPE

MERCEDES-BENZ : AXOR / ATEGO



SB6 / SB7 / SN6 / SN7 / SK7 / SL7 / SM7

**110102** >> CALIPER SENSOR COVER WITH 3 WIRES MERCEDES-BENZ TYPE

MERCEDES-BENZ : ACTROS



SB6 / SB7 / SN6 / SN7 / SK7 / SL7 / SM7

**110122** >> CALIPER SENSOR COVER WITH 3 WIRES MAN TYPE

MAN : TGA



SB6 / SB7 / SN6 / SN7 / SK7 / SL7 / SM7

**110126** >> CALIPER SENSOR COVER WITH 3 WIRES MAN TYPE 5.5 CYCLE

MAN BUS



SB6 / SB7 / SN6 / SN7 / SK7 / SL7 / SM7

**110105** > CALIPER SENSOR COVER WITHOUT SENSOR

SCANIA / DAF / IVECO



SB6 / SB7 / SN6 / SN7 / SK7

**110108** > CALIPER SENSOR COVER WITH 2 WIRES

DAF



SB6 / SB7 / SN6 / SN7 / SK7

**110107** > CALIPER SENSOR COVER WITH 3 WIRES

SCANIA : 4 SERIES TRUCK  
IVECO : STRALIS



SB6 / SB7 / SN6 / SN7 / SK7

**110190** > CALIPER SENSOR COVER WITH 3 WIRES MAN TYPE

IVECO : STRALIS



SB6 / SB7 / SN6 / SN7 / SK7

SB6 & SB7 & SN6 &  
SN7 & SK7 & SL7 & SM7 & NA7

**110143** > CALIPER SENSOR COVER WITHOUT SENSOR



SB6 / SB7 / SN6 / SN7 / SK7 / SL7 / SM7

**110188** > CALIPER SENSOR COVER WITH 2 WIRES

MERCEDES-BENZ : AXOR / ATEGO  
DAF



SB6 / SB7 / SN6 / SN7 / SK7 / SL7 / SM7

**110189** > CALIPER SENSOR COVER WITH 3 WIRES

MERCEDES-BENZ : ACTROS  
SCANIA : 4 SERIES TRUCK  
IVECO STRALIS



SB6 / SB7 / SN6 / SN7 / SK7 / SL7 / SM7

**110138** > CALIPER SENSOR COVER WITH 3 WIRES MAN TYPE

MAN T6A  
IVECO STRALIS



SB6 / SB7 / SN6 / SN7 / SK7 / SL7 / SM7

**110201** > CALIPER SENSOR COVER WITHOUT SENSOR (Without Chain Way)

MERCEDES-BENZ : ACTROS / AXOR / ATEGO  
MAN : TGA



SN6 / SN7 / SK7 / SL7 / SM7

**110202** > CALIPER SENSOR COVER WITH 2 WIRES (Without Chain Way)

MERCEDES-BENZ : AXOR / ATEGO



SN6 / SN7 / SK7 / SL7 / SM7

**110203** > CALIPER SENSOR COVER WITH 3 WIRES (Without Chain Way)

MERCEDES-BENZ : ACTROS



SN6 / SN7 / SK7 / SL7 / SM7

**110204** > CALIPER SENSOR COVER WITH 3 WIRES MAN TYPE (Without Chain Way)

MAN TGA



SN6 / SN7 / SK7 / SL7 / SM7

SB6 & SB7 & SN6 &  
SN7 & SK7 & SL6 & SL7  
& SM7 & ST7 & NA7

**110208** >> CALIPER SENSOR COVER WITHOUT SENSOR (Without Chain Way)

SCANIA / DAF / IVECO



SN6 / SN7 / SK7

**110209** >> CALIPER SENSOR COVER WITH 2 WIRES (Without Chain Way)

DAF



SN6 / SN7 / SK7

**110210** >> CALIPER SENSOR COVER WITH 3 WIRES (Without Chain Way)

SCANIA : 4 SERIES TRUCK  
IVECO STRALIS



SN6 / SN7 / SK7

**110211** >> CALIPER SENSOR COVER WITH 3 WIRES MAN TYPE (Without Chain Way)

IVECO STRALIS



SN6 / SN7 / SK7

**110134** > CALIPER SENSOR COVER WITHOUT SENSOR (Without Chain Way)



SB6 / SB7 / SN6 / SN7 / SK7 / SL7 / SM7

**110205** > CALIPER SENSOR COVER WITH 2 WIRES (Without Chain Way)

MERCEDES-BENZ : AXOR / ATEGO  
DAF



SB6 / SB7 / SN6 / SN7 / SK7 / SL7 / SM7

**110206** > CALIPER SENSOR COVER WITH 3 WIRES (Without Chain Way)

MERCEDES-BENZ : ACTROS  
SCANIA : 4 SERIES TRUCK  
IVECO STRALIS



SB6 / SB7 / SN6 / SN7 / SK7 / SL7 / SM7

**110207** > CALIPER SENSOR COVER WITH 3 WIRES MAN TYPE (Without Chain Way)

MAN TGA  
IVECO STRALIS



SB6 / SB7 / SN6 / SN7 / SK7 / SL7 / SM7

SB6 & SB7 & SN6 &  
SN7 & SK7 & SL6 & SL7  
& SM7 & ST7 & NA7

**110124** >> CALIPER SENSOR COVER WITHOUT SENSOR

SCHMITZ TRAILER



SB6 / SB7 / SN6 / SN7 / SK7 / ST7

**110142** >> CALIPER SENSOR COVER WITHOUT SENSOR (Without Chain Way)

SCHMITZ TRAILER



SB6 / SB7 / SN6 / SN7 / SK7 / ST6 / ST7

**110212** >> CALIPER SENSOR COVER WITHOUT SENSOR (Without Chain Way) (Sheet Metal)



SB6 / SB7 / SN6 / SN7 / SK7 / ST6 / ST7

**168105** >> CALIPER SENSOR COVER GASKET



SB6 / SB7 / SN6 / SN7 / SK7 / SL7 / SM7 / ST7

**030117** >> CALIPER SENSOR CONVERTER



SB6 / SB7 / SB7 RADIAL / SN6 / SN7 / SK7

**156123** >> CALIPER SENSOR COVER CAP SET



SB6 / SB7 / SN6 / SN7 / SK7 / SL7 / SM7

PART NO	GW NO	CONTENTS	DIMENSION	QTY.
1	164119	CALIPER SENSOR COVER CAP	-	10

**156124** >> CALIPER SENSOR COVER CAP SET



SB6 / SB7 / SN6 / SN7 / SK7 / SL7 / SM7

PART NO	GW NO	CONTENTS	DIMENSION	QTY.
1	164120	CALIPER SENSOR COVER CAP	-	10

**170103** >> CALIPER SENSOR COVER SEAL SET



SB6 / SN6 / SN7 / SK7 / SL7 / SM7 / ST7

PART NO	GW NO	CONTENTS	DIMENSION	QTY.
1	103104	CALIPER SENSOR COVER SEAL	-	5

**103108** >> CALIPER SENSOR GEAR SET



SB6 / SB7 / SN6 / SN7 / SK7 / SL7 / SM7

PART NO	GW NO	CONTENTS	DIMENSION	QTY.
1	103104	CALIPER SENSOR GEAR	5 mm	5

**103114** >> CALIPER SENSOR GEAR SET



SN6... / SN7... / SK7... / SL7... / SM7

PART NO	GW NO	CONTENTS	DIMENSION	QTY.
1	103102	CALIPER SENSOR GEAR	9 mm	5

**103115** >> CALIPER SENSOR GEAR SET



SB6 / SB7 / SN6 / SN7 / SK7 / SL7 / SM7

PART NO	GW NO	CONTENTS	DIMENSION	QTY.
1	103101	CALIPER SENSOR GEAR	10 mm	5

SB6 & SB7 & SN6 & SN7 & SK7 & ST6 & SL7 & SM7 & ST7 & NA7

**166106** > CALIPER SENSOR PLASTIC LOCKER SET



SB6 / SB7 / SN6 / SN7 / SK7

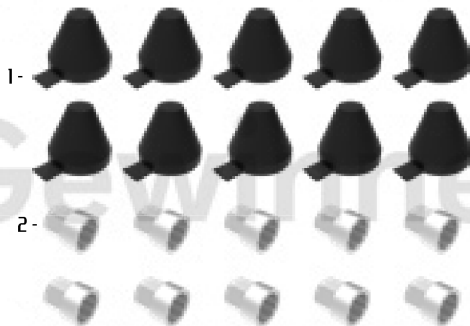
PART NO	GW NO	CONTENTS	DIMENSION	QTY.
1	166107	CALIPER SENSOR PLASTIC LOCKER	-	5

**161124** > CALIPER SENSOR COVER BOLT



SB6 / SB7 / SB7 RADIAL / SN6 / SN7 / SK7 / ST6 / SL7 / SM7 / ST7

**155101** > CALIPER ADJUSTING MECHANISM ADAPTER & PLASTIC COVER CAP SET

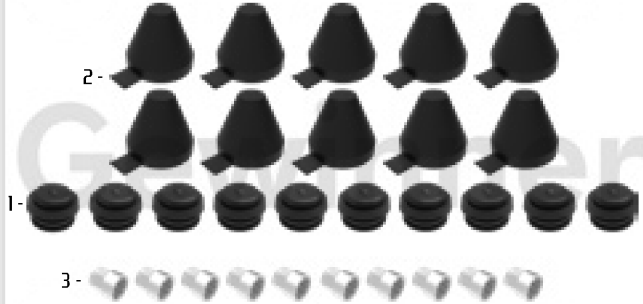


SK7

K003902

PART NO	GW NO	CONTENTS	DIMENSION	QTY.
1	164108	CALIPER SENSOR COVER CAP	∅ 35 mm	10
2	169101	CALIPER ADJUSTING MECHANISM SHAFT ADAPTER	-	10

**155102** > CALIPER ADJUSTING MECHANISM ADAPTER & PLASTIC COVER CAP SET



SK7

PART NO	GW NO	CONTENTS	DIMENSION	QTY.
1	164103	CALIPER SENSOR COVER CAP	-	10
2	164108	CALIPER SENSOR COVER CAP	∅ 35 mm	10
3	169101	CALIPER ADJUSTING MECHANISM SHAFT ADAPTER	-	10

**155103** > CALIPER ADJUSTING MECHANISM ADAPTER & PLASTIC COVER CAP SET

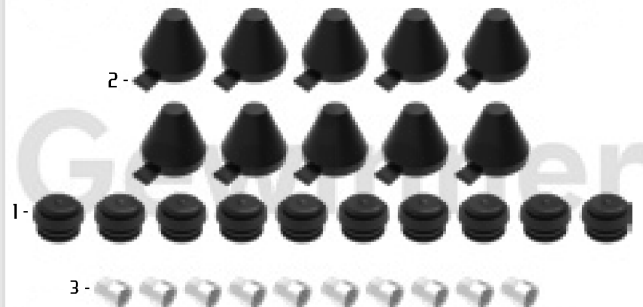


SB6 / SB7 / SN6 / SN7 / SK7 / SL7 / SM7

K000029

PART NO	GW NO	CONTENTS	DIMENSION	QTY.
1	164104	CALIPER SENSOR COVER CAP	∅ 38 mm	10
2	169101	CALIPER ADJUSTING MECHANISM SHAFT ADAPTER	-	10

**155104** > CALIPER ADJUSTING MECHANISM ADAPTER & PLASTIC COVER CAP SET



SB6 / SB7 / SN6 / SN7 / SK7

K000945

PART NO	GW NO	CONTENTS	DIMENSION	QTY.
1	164103	CALIPER SENSOR COVER CAP	-	10
2	164104	CALIPER SENSOR COVER CAP	∅ 38 mm	10
3	169101	CALIPER ADJUSTING MECHANISM SHAFT ADAPTER	-	10

**110116** > CALIPER SENSOR COVER WITHOUT SENSOR



SB7 RADIAL

MERCEDES-BENZ : CITARO & CAPACITY  
DANIELER : EVOBUS CITYBUS & S3

**110119** > CALIPER SENSOR COVER WITHOUT SENSOR



SB7 RADIAL

SCANIA BUS : 3 & 4 SERIES

**110117** > CALIPER SENSOR COVER WITH 2 WIRES  
MERCEDES-BENZ TYPE



SB7 RADIAL

MERCEDES-BENZ : CITARO & CAPACITY  
DANIELER : EVOBUS CITYBUS & S3

**110120** > CALIPER SENSOR COVER WITH 2 WIRES  
SCANIA TYPE



SB7 RADIAL

SCANIA BUS : 3 & 4 SERIES

**110118** > CALIPER SENSOR COVER WITH 3 WIRES  
MERCEDES-BENZ TYPE



SB7 RADIAL

MERCEDES-BENZ : CITARO & CAPACITY  
DANIELER : EVOBUS CITYBUS & S3

**110121** > CALIPER SENSOR COVER WITH 3 WIRES  
SCANIA TYPE



SB7 RADIAL

SCANIA BUS : 3 & 4 SERIES

**110125** > CALIPER SENSOR COVER WITH 3 WIRES  
MAN TYPE



SB7 RADIAL

MAN

**110130** > CALIPER SENSOR COVER WITH 3 WIRES MAN  
TYPE



SB7 RADIAL

MAN

**110140** > CALIPER SENSOR COVER WITH 3 WIRES  
MAN TYPE 5.5 CYCLE



SB7 RADIAL

MAN BUS

**168106** > CALIPER SENSOR COVER GASKET



SB7 RADIAL

SB6 & SB7 & SN6 &  
SN7 & SK7 & SL6 & SL7  
& SM7 & ST7 & NA7

**120101** > MANUAL SENSOR TEST DEVICE (BATTERY OPERATED)



**120102** > SEMI-AUTOMATIC SENSOR TEST DEVICE (ELECTRIC-POWERED)



**103109** > CALIPER SENSOR GEAR SET



SB7 RADIAL

PART NO.	GW NO.	CONTENTS	DIMENSION	QTY.
1	10309	CALIPER SENSOR GEAR	-	5

**103116** > CALIPER SENSOR GEAR SET



SB7 RADIAL

PART NO.	GW NO.	CONTENTS	DIMENSION	QTY.
1	10316	CALIPER SENSOR GEAR	-	5

**142101** >> CALIPER BUSHING TOOL KIT



COMPATIBLE BUSHING

KG302 - KG303 - KG300 -  
KG301 - KG302



**142102** >> CALIPER BUSHING TOOL KIT



COMPATIBLE BUSHING

KG304



**142103** >> CALIPER BUSHING TOOL KIT



COMPATIBLE BUSHING

KG306



**142104** >> CALIPER CALIBRATION BOLT REMOVAL TOOL



FOR THESE PRODUCTS

KG101 - KG102 - KG203



**942142** >> DOUBLE PISTON CALIPER EQUALIZATION & TEST APPARATUS



**942143** >> CALIPER INSTALLATION FIXTURE



SB6 & SB7 & SN6 &  
SN7 & SK7 & SL6 & SL7  
& SM7 & ST7 & NA7

**110195** >> RADIAL CALIPER COVER (for 93°)



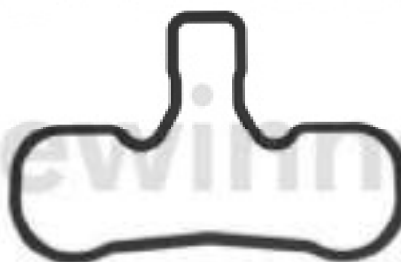
SB7 RADIAL

**110199** >> RADIAL CALIPER COVER (for 93°)



SB7 RADIAL

**168107** >> RADIAL CALIPER COVER GASKET



SB7 RADIAL

**156111** >> CALIPER BODY SEAL CAP SET

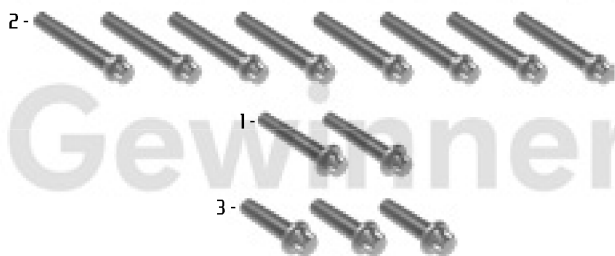


SB6 / SB7 / SB7 RADIAL

**161110** >> CARRIER LOCKER BOLT



**161114** > CALIPER COVER SCREW SET



SB7 RADIAL

PART NO	GW NO	CONTENTS	DIMENSION	QTY.
1	161118	CALIPER COVER SCREW	M10 x 1.5 x 60 mm	2
2	161119	CALIPER COVER SCREW	M12 x 1.75 x 80 mm	8
3	161120	CALIPER COVER SCREW	M14 x 2 x 55 mm	3

**161121** > CALIPER COVER SCREW SET



SB7 RADIAL

PART NO	GW NO	CONTENTS	DIMENSION	QTY.
1	161118	CALIPER COVER SCREW	M10 x 1.5 x 60 mm	8

**161122** > CALIPER COVER SCREW SET



SB7 RADIAL

PART NO	GW NO	CONTENTS	DIMENSION	QTY.
1	161119	CALIPER COVER SCREW	M12 x 1.75 x 80 mm	8

**161126** > CALIPER COVER SCREW SET

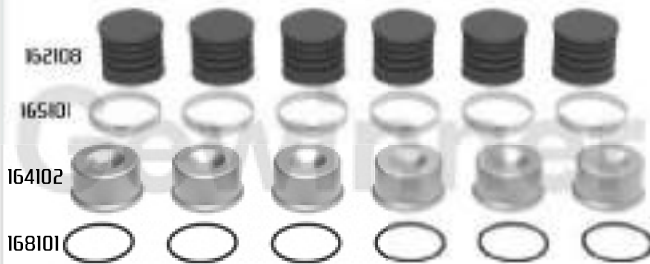


SB6 / SB7

PART NO	GW NO	CONTENTS	DIMENSION	QTY.
1	161117	CALIPER COVER SCREW	M8 x 1.25 x 45 mm	4

SB6 & SB7 & SN6 & SN7 & SK7 & ST6 & SL7 & SM7 & ST7 & NA7

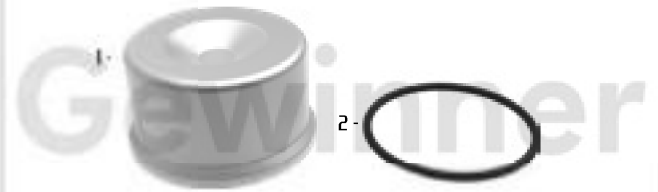
**156101** > CALIPER GUIDE PIN CAP SET



SB6 / SB7 / SN6 / SN7

1000001

**156103** > CALIPER CAP KIT



SB6 / SB7 / SB7 RADIAL / SN6 / SN7

1039769F0063

PART NO	GW NO	CONTENTS	DIMENSION	QTY.
1	16402	CALIPER GUIDE PIN CAP	Ø 54 x 28 mm	1
2	16801	CALIPER GUIDE PIN CAP O-RING	-	1

**156102** > CALIPER GUIDE PIN CAP SET



SB6 / SB7 / SN6 / SN7

PART NO	GW NO	CONTENTS	DIMENSION	QTY.
1	16401	CALIPER GUIDE PIN CAP	Ø 40 x 8 mm	5

**156105** > CALIPER GUIDE PIN CAP SET



SB6 / SB7 / SN6 / SN7 / SK7 / ST6 / SL7 / SM7 / ST7

PART NO	GW NO	CONTENTS	DIMENSION	QTY.
1	16405	CALIPER GUIDE PIN CAP	Ø 40 x 14,5 mm	5

**156106** > CALIPER GUIDE PIN CAP SET



SB7 / SN6 / SN7 / SK7 / ST6 / ST7

PART NO	GW NO	CONTENTS	DIMENSION	QTY.
1	16406	CALIPER GUIDE PIN CAP	Ø 40 x 24,5 mm	5

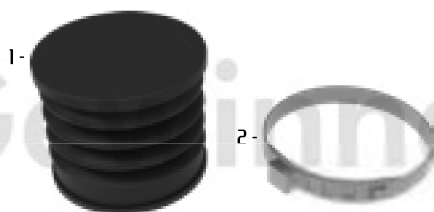
**156119** > CALIPER GUIDE PIN CAP SET



SN6 / SN7

PART NO	GW NO	CONTENTS	DIMENSION	QTY.
1	16417	CALIPER GUIDE PIN CAP	Ø 40 x 31 mm	5

**156107** > CALIPER GUIDE PIN CAP KIT



SB6 / SB7 / SB7 RADIAL / SN6 / SN7

10350470063

PART NO	GW NO	CONTENTS	DIMENSION	QTY.
1	162108	CALIPER BELLOW CAP	-	1
2	165101	CALIPER BELLOW CAP CLAMP	-	1

**156108** > CALIPER GUIDE PIN CAP SET



SB7

10344730063

PART NO	GW NO	CONTENTS	DIMENSION	QTY.
1	162109	CALIPER GUIDE PIN BELLOW CAP	-	1
2	16501	CALIPER BELLOW CAP CLAMP	-	1

**156109** > CALIPER GUIDE PIN CAP SET



SB7 #P7140063

PART NO	GW NO	CONTENTS	DIMENSION	QTY.
1	162110	CALIPER GUIDE PIN RUBBER CAP	-	1
2	165101	CALIPER BELLOW CAP CLAMP	-	1

**156112** > CALIPER BODY HOLE PLUG SET



SN6 / SN7 / SK7 / ST6 / SL7 / SM7 / ST7

PART NO	GW NO	CONTENTS	DIMENSION	QTY.
1	164111	CALIPER BODY SIDE HOLE PLUG	-	5

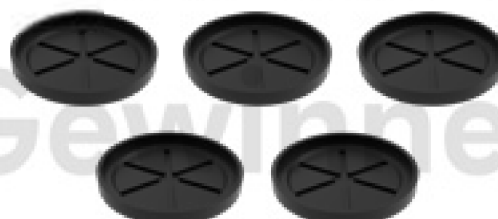
**156117** > CALIPER BODY HOLE PLUG SET



SN6 / SN7 / SK7 / ST6 / SL7 / SM7 / ST7

PART NO	GW NO	CONTENTS	DIMENSION	QTY.
1	164116	CALIPER BODY SIDE HOLE PLUG	-	5

**156114** > BRAKE CHAMBER SEAL SET



SN6 / SN7 / SK7 / ST6

PART NO	GW NO	CONTENTS	DIMENSION	QTY.
1	164113	BRAKE CHAMBER SEAL	Ø 42 mm	5

**156115** > BRAKE CHAMBER SEAL SET



SN6 / SN7 / SK7

PART NO	GW NO	CONTENTS	DIMENSION	QTY.
1	164112	BRAKE CHAMBER SEAL	Ø 45 mm	5

**156118** > CALIPER GUIDE PIN CAP KIT



SB6 / SB7 / SN6 / SN7 / SK7 / SL7 / SM7

PART NO	GW NO	CONTENTS	DIMENSION	QTY.
1	164115	CALIPER GUIDE PIN CAP	-	5

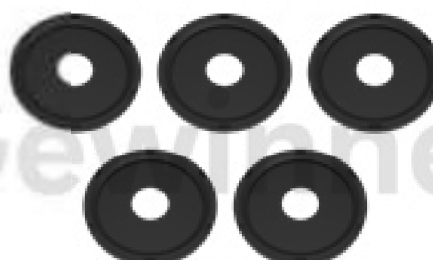
**156120** > CALIPER GUIDE PIN CAP KIT



SB6 / SB7 / SN6 / SN7 / SK7 / SL7 / SM7

PART NO	GW NO	CONTENTS	DIMENSION	QTY.
1	164114	CALIPER GUIDE PIN CAP	-	5

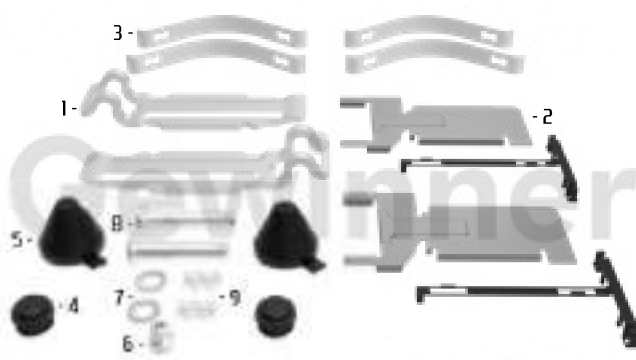
**170106** > BRAKE CHAMBER SEAL SET



SB7 RADIAL

PART NO	GW NO	CONTENTS	DIMENSION	QTY.
1	170105	BRAKE CHAMBER SEAL	-	5

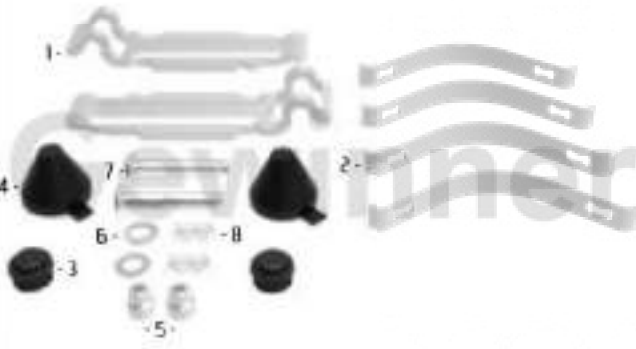
**11113** > BRAKE PAD RETAINER REPAIR KIT



SB6 / SN6

PART NO	GW NO	CONTENTS	DIMENSION	QTY.
1	11103	CALIPER BRAKE PAD RETAINER	h= 25 mm	2
2	11118	BRAKE PAD RETAINER PROTECTION SET		2
3	11125	BRAKE PAD SPRING	-	4
4	164103	CALIPER SENSOR COVER CAP	-	2
5	164104	CALIPER SENSOR COVER CAP	∅ 38 mm	2
6	169101	CALIPER ADJUSTING MECHANISM SHAFT ADAPTER	-	1
7	173101	PIN WASHER	-	2
8	175101	BRAKE PAD RETAINER PIN	-	2
9	181101	SPLIT PIN	-	2

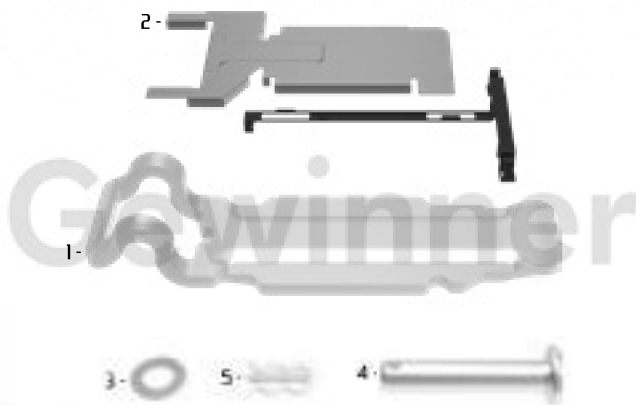
**11115** > BRAKE PAD RETAINER REPAIR KIT



SB6 / SN6

PART NO	GW NO	CONTENTS	DIMENSION	QTY.
1	11103	CALIPER BRAKE PAD RETAINER	h= 25 mm	2
2	11125	BRAKE PAD SPRING	-	4
3	164103	CALIPER SENSOR COVER CAP	-	2
4	164104	CALIPER SENSOR COVER CAP	∅ 38 mm	2
5	169101	CALIPER ADJUSTING MECHANISM SHAFT ADAPTER	-	2
6	173101	PIN WASHER	-	2
7	175101	BRAKE PAD RETAINER PIN	-	2
8	181101	SPLIT PIN	-	2

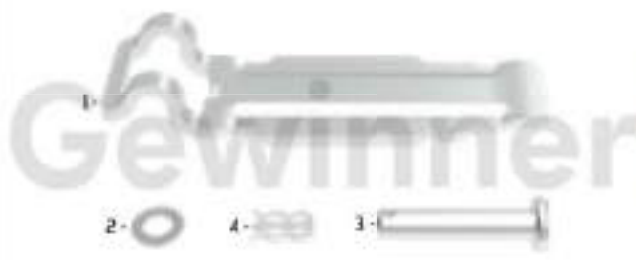
**11117** > BRAKE PAD RETAINER REPAIR KIT



SB6 / SN6 / SK7

PART NO	GW NO	CONTENTS	DIMENSION	QTY.
1	11103	CALIPER BRAKE PAD RETAINER	h= 25 mm	1
2	11118	BRAKE PAD RETAINER PROTECTION SET		1
3	173101	PIN WASHER	-	1
4	175101	BRAKE PAD RETAINER PIN	-	1
5	181101	SPLIT PIN	-	1

**11101** > CALIPER BRAKE PAD RETAINER KIT

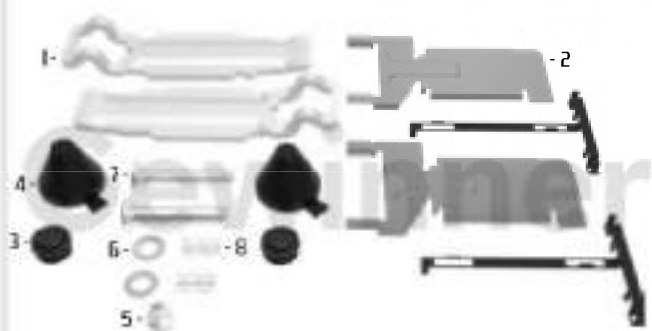


SB6 / SN6 / SK7 / ST6 / SL7 / SM7 / ST7

PART NO	GW NO	CONTENTS	DIMENSION	QTY.
1	11103	CALIPER BRAKE PAD RETAINER	h= 25 mm	1
2	173101	PIN WASHER	-	1
3	175101	BRAKE PAD RETAINER PIN	-	1
4	181101	SPLIT PIN	-	1

K000033

## 11112 &gt; BRAKE PAD RETAINER REPAIR KIT



K00238

## SB7 / SN7

PART NO	GW NO	CONTENTS	DIMENSION	QTY.
1	11110	BRAKE PAD RETAINER SHEET METAL	h= 20 mm	2
2	11118	BRAKE PAD RETAINER PROTECTION SET	-	2
3	164103	CALIPER SENSOR COVER CAP	-	2
4	164104	CALIPER SENSOR COVER CAP	∅ 38 mm	2
5	164108	CALIPER ADJUSTING MECHANISM SHAFT ADAPTER	-	1
6	173101	PIN WASHER	-	2
7	175101	BRAKE PAD RETAINER PIN	-	2
8	181101	SPLIT PIN	-	2

## 11114 &gt; BRAKE PAD RETAINER REPAIR KIT



## SB7 / SN7

PART NO	GW NO	CONTENTS	DIMENSION	QTY.
1	11110	BRAKE PAD RETAINER SHEET METAL	h= 20 mm	2
2	164103	CALIPER SENSOR COVER CAP	-	2
3	164104	CALIPER SENSOR COVER CAP	∅ 38 mm	2
4	164108	CALIPER ADJUSTING MECHANISM SHAFT ADAPTER	-	1
5	173101	PIN WASHER	-	2
6	175101	BRAKE PAD RETAINER PIN	-	2
7	181101	SPLIT PIN	-	2

## 11116 &gt; BRAKE PAD RETAINER REPAIR KIT



K000864

## SB7 / SN7

PART NO	GW NO	CONTENTS	DIMENSION	QTY.
1	11110	BRAKE PAD RETAINER SHEET METAL	h= 20 mm	1
2	11118	BRAKE PAD RETAINER PROTECTION SET	-	1
3	173101	PIN WASHER	-	1
4	175101	BRAKE PAD RETAINER PIN	-	1
5	181101	SPLIT PIN	-	1

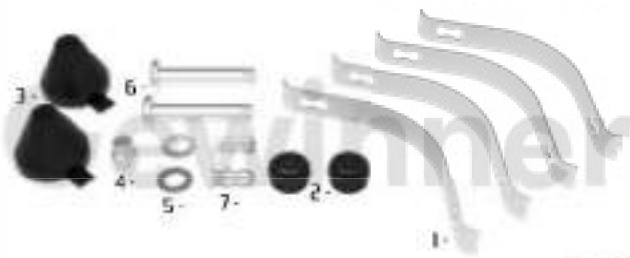
## 11111 &gt; BRAKE PAD RETAINER REPAIR KIT

K000129  
11972004  
130679004  
119720061

## SB7 / SN7

PART NO	GW NO	CONTENTS	DIMENSION	QTY.
1	11110	BRAKE PAD RETAINER SHEET METAL	h= 20 mm	1
2	173101	PIN WASHER	-	1
3	175101	BRAKE PAD RETAINER PIN	-	1
4	181101	SPLIT PIN	-	1

**11119 > BRAKE PAD RETAINER PROTECTION SET**

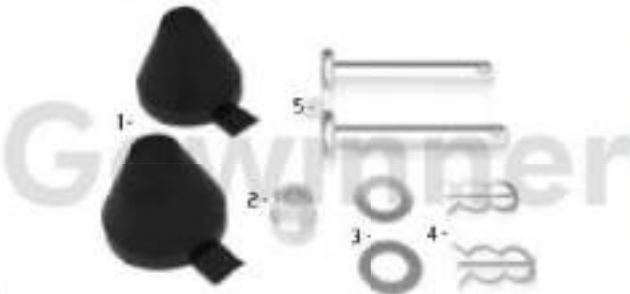


1000946

SB6 / SB7 / SN6 / SN7

PART NO	GW NO	CONTENTS	DIMENSION	QTY.
1	11125	BRAKE PAD SPRING	-	4
2	164103	CALIPER SENSOR COVER CAP	-	2
3	164104	CALIPER SENSOR COVER CAP	∅ 38 mm	2
4	169101	CALIPER ADJUSTING MECHANISM SHAFT ADAPTER	-	1
5	173101	PIN WASHER	-	2
6	175001	BRAKE PAD RETAINER PIN	-	2
7	18001	SPLIT PIN	-	2

**153101 > BRAKE PAD RETAINER REPAIR KIT**



SK7

PART NO	GW NO	CONTENTS	DIMENSION	QTY.
1	164108	CALIPER SENSOR COVER CAP	∅ 35 mm	2
2	169101	CALIPER ADJUSTING MECHANISM SHAFT ADAPTER	-	1
3	173101	PIN WASHER	-	2
4	175001	BRAKE PAD RETAINER PIN	-	2
5	18001	SPLIT PIN	-	2

**153103 > BRAKE PAD RETAINER REPAIR KIT**



SB6 / SB7 / SN6 / SN7 / SK7 / SL7 / SM7

PART NO	GW NO	CONTENTS	DIMENSION	QTY.
1	164104	CALIPER SENSOR COVER CAP	∅ 38 mm	2
2	169101	CALIPER ADJUSTING MECHANISM SHAFT ADAPTER	-	1
3	173101	PIN WASHER	-	2
4	175001	BRAKE PAD RETAINER PIN	-	2
5	18001	SPLIT PIN	-	2

**11118 > BRAKE PAD RETAINER PROTECTION SET**



SB6 / SB7 / SN6 / SN7 / SK7

**164108 > CALIPER SENSOR COVER CAP ∅ 35 mm**



SK7

**164104 > CALIPER SENSOR COVER CAP ∅ 38 mm**



SB6 / SB7 / SN6 / SN7 / SK7 / SL7 / SM7

[www.gewinnerbrake.com](http://www.gewinnerbrake.com)



BRAKE  
CALIPER  
REPAIR KITS



BRAKE  
CALIPER  
REPAIR KITS

*for*  
**BENDIX**

**ADB22X**  
**ADB22X-LT**

**101126** > CALIPER COMPLETE REPAIR SET



PART NO.	GW NO.	CONTENTS	DIMENSION	QTY.
1	102101	CALIPER ADJUSTING MECHANISM SHAFT	-	1
2	102103	CALIPER ADJUSTING MECHANISM SHAFT PINION GEAR	-	1
3	101199	CALIPER SHAFT HOUSING SET	-	1
4	107109	CALIPER LEVER 0°	0°	1
5	108102	CALIPER NEEDLE BEARING KIT	-	1
6	109101	CALIPER CALIBRATION SHAFT CHAIN	29 LINK	1
7	110106	CALIPER SHEET METAL COVER SET	-	1
8	111101	CALIPER BRAKE PAD RETAINER KIT	h= 25 mm	1
9	150101	CALIPER TAPPET & BOOT REPAIR KIT	∅ 69 mm	1
10	151184	CALIPER GUIDE PIN & PIN BUSHING REPAIR KIT	-	1

**101199** > CALIPER SHAFT HOUSING SET



PART NO	GW NO	CONTENTS	DIMENSION	QTY.
1	112103	CALIPER SHAFT HOUSING	-	1
2	161101	CALIPER CALIBRATION BOLT	3 THREAD	2
3	172101	CALIPER SHAFT HOUSING SPRING	-	1

**104103** > CALIPER SHAFT HOUSING SET



PART NO	GW NO	CONTENTS	DIMENSION	QTY.
1	112103	CALIPER SHAFT HOUSING	-	1
2	172101	CALIPER SHAFT HOUSING SPRING	-	1

**161101** > CALIPER CALIBRATION BOLT 3 THREAD



**010101** > GREASE



**107109** > CALIPER LEVER 0°



**108102** > CALIPER NEEDLE BEARING KIT



**102101** > CALIPER ADJUSTING MECHANISM SHAFT



**102108** > CALIPER ADJUSTING MECHANISM SHAFT



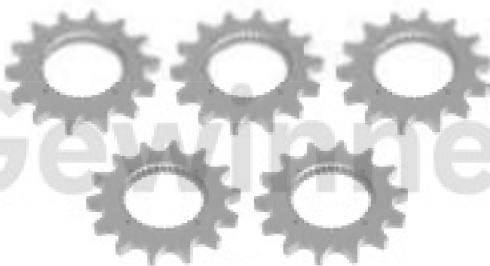
**102103** > CALIPER ADJUSTING MECHANISM SHAFT PINION GEAR



**102106** > CALIPER ADJUSTING MECHANISM SHAFT PINION GEAR



**103106** > CALIPER ADJUSTING MECHANISM GEAR KIT



**103101** > CALIPER ADJUSTING MECHANISM GEAR



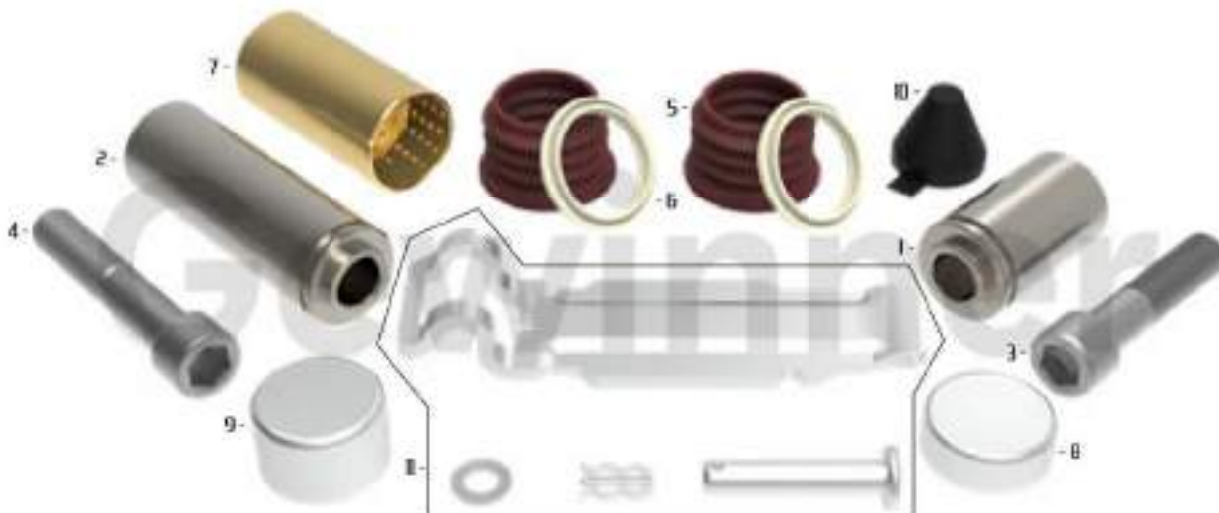
**109101** > CALIPER CALIBRATION SHAFT CHAIN 29 LINK



**169102** > CALIPER ADJUSTING MECHANISM SHAFT ADAPTER SET



**111122** > CALIPER GUIDE PIN & PIN BUSHING REPAIR KIT



PART NO	GW NO	CONTENTS	DIMENSION	QTY.
1	160105	CALIPER GUIDE PIN	∅ 36 x 64 mm	1
2	160106	CALIPER GUIDE PIN	∅ 36 x 114 mm	1
3	161102	CALIPER GUIDE PIN BOLT	M16 x 1.5 x 70 mm	1
4	161105	CALIPER GUIDE PIN BOLT	M16 x 1.5 x 85 mm	1
5	162106	CALIPER GUIDE PIN BOOT	-	2
6	166101	CALIPER GUIDE PIN BOOT RING	-	2
7	163104	CALIPER GUIDE PIN BUSHING	∅ 40 x 36 x 82 mm	1
8	164105	CALIPER GUIDE PIN CAP	∅ 40 x 14.5 mm	1
9	164106	CALIPER GUIDE PIN CAP	∅ 40 x 24.5 mm	1
10	164108	CALIPER SENSOR COVER CAP	∅ 35 mm	1
11	111101	CALIPER BRAKE PAD RETAINER KIT	h= 25 mm	1

**151184** > CALIPER GUIDE PIN & PIN BUSHING REPAIR KIT



PART NO	GW NO	CONTENTS	DIMENSION	QTY.
1	160105	CALIPER GUIDE PIN	∅ 36 x 64 mm	1
2	160106	CALIPER GUIDE PIN	∅ 36 x 114 mm	1
3	161102	CALIPER GUIDE PIN BOLT	M16 x 1.5 x 70 mm	1
4	161105	CALIPER GUIDE PIN BOLT	M16 x 1.5 x 85 mm	1
5	162106	CALIPER GUIDE PIN BOOT	-	2
6	166101	CALIPER GUIDE PIN BOOT RING	-	2
7	163104	CALIPER GUIDE PIN BUSHING	∅ 40 x 36 x 82 mm	1
8	163117	CALIPER GUIDE PIN BUSHING	∅ 40 x 36 x 20 mm	1
9	164105	CALIPER GUIDE PIN CAP	∅ 40 x 14.5 mm	1
10	164106	CALIPER GUIDE PIN CAP	∅ 40 x 24.5 mm	1
11	164116	CALIPER BODY SEAL CAP	-	1
12	164113	BRAKE CHAMBER SEAL	∅ 42 mm	1

**151170** > CALIPER GUIDE PIN & PIN BUSHING REPAIR KIT



PART NO	GW NO	CONTENTS	DIMENSION	QTY.
1	160105	CALIPER GUIDE PIN	∅ 36 x 64 mm	1
2	160106	CALIPER GUIDE PIN	∅ 36 x 114 mm	1
3	161102	CALIPER GUIDE PIN BOLT	M16 x 1.5 x 70 mm	1
4	161105	CALIPER GUIDE PIN BOLT	M16 x 1.5 x 85 mm	1
5	162106	CALIPER GUIDE PIN BOOT	-	2
6	166101	CALIPER GUIDE PIN BOOT RING	-	2
7	163104	CALIPER GUIDE PIN BUSHING	∅ 40 x 36 x 82 mm	1
8	163117	CALIPER GUIDE PIN BUSHING	∅ 40 x 36 x 20 mm	1
9	164105	CALIPER GUIDE PIN CAP	∅ 40 x 14.5 mm	1
10	164106	CALIPER GUIDE PIN CAP	∅ 40 x 24.5 mm	1

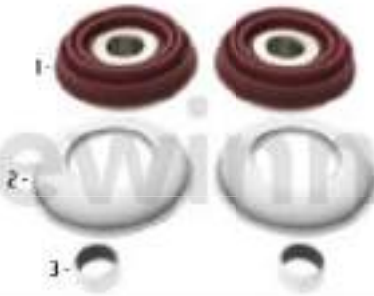
**151129** > CALIPER GUIDE PIN & PIN BUSHING REPAIR KIT



PART NO	GW NO	CONTENTS	DIMENSION	QTY.
1	160105	CALIPER GUIDE PIN	∅ 36 x 64 mm	1
2	160106	CALIPER GUIDE PIN	∅ 36 x 114 mm	1
3	161102	CALIPER GUIDE PIN BOLT	M16 x 1.5 x 70 mm	1
4	161105	CALIPER GUIDE PIN BOLT	M16 x 1.5 x 85 mm	1
5	162106	CALIPER GUIDE PIN BOOT	-	2
6	166101	CALIPER GUIDE PIN BOOT RING	-	2
7	163104	CALIPER GUIDE PIN BUSHING	∅ 40 x 36 x 82 mm	1
8	163109	CALIPER GUIDE PIN BUSHING	∅ 40 x 36 x 20 mm	1
9	164105	CALIPER GUIDE PIN CAP	∅ 40 x 14.5 mm	1
10	164106	CALIPER GUIDE PIN CAP	∅ 40 x 24.5 mm	1

803114

**150101** > CALIPER TABBET & BOOT REPAIR KIT



PART NO	GW NO	CONTENTS	DIMENSION	QTY.
1	162101	CALIPER TAPPET & BOOT ASSEMBLY	∅ 69 mm	2
2	162904	CALIPER SHAFT HOUSING BOOT	∅ 69 mm	2
3	163105	CALIPER CALIBRATION BOLT BUSHING	∅ 18 x 16 x 10 mm	2

80289

**150103** > CALIPER TABBET & BOOT REPAIR KIT



PART NO	GW NO	CONTENTS	DIMENSION	QTY.
1	162101	CALIPER TAPPET & BOOT ASSEMBLY	∅ 69 mm	1
2	162904	CALIPER SHAFT HOUSING BOOT	∅ 69 mm	1
3	163105	CALIPER CALIBRATION BOLT BUSHING	∅ 18 x 16 x 10 mm	1

**150102** > CALIPER TABBET & BOOT REPAIR KIT



PART NO	GW NO	CONTENTS	DIMENSION	QTY.
1	162101	CALIPER TAPPET & BOOT ASSEMBLY	∅ 69 mm	2
2	163105	CALIPER CALIBRATION BOLT BUSHING	∅ 18 x 16 x 10 mm	2

**150104** > CALIPER TABBET & BOOT REPAIR KIT



PART NO	GW NO	CONTENTS	DIMENSION	QTY.
1	162101	CALIPER TAPPET & BOOT ASSEMBLY	∅ 69 mm	1
2	163105	CALIPER CALIBRATION BOLT BUSHING	∅ 18 x 16 x 10 mm	1

**150111** > CALIPER GUIDE PIN BOOT KIT



PART NO	GW NO	CONTENTS	DIMENSION	QTY.
1	162906	CALIPER GUIDE PIN BOOT	-	1
2	166101	CALIPER GUIDE PIN BOOT RING	-	1

**110106** > CALIPER SHEET METAL COVER SET



PART NO.	GW NO.	CONTENTS	DIMENSION	QTY.
1	110102	CALIPER SHEET METAL COVER	-	1
2	16411	CALIPER COVER SCREW	M10 x 1,25 x 16 mm	6
3	16412	CALIPER COVER SCREW	M8 x 1,25 x 50 mm	2

**110124** > CALIPER SENSOR COVER WITHOUT SENSOR



**110142** > CALIPER SENSOR COVER WITHOUT SENSOR (Without Chain Way)



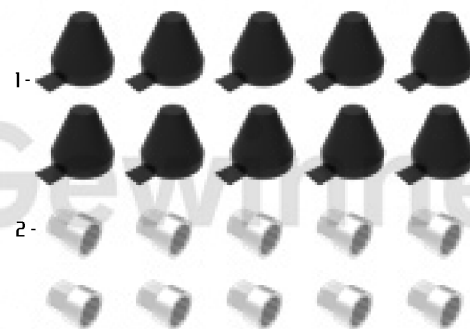
**110212** > CALIPER SENSOR COVER WITHOUT SENSOR (Without Chain Way) (Sheet Metal)



**161124** > CALIPER SENSOR COVER BOLT



**155101** > CALIPER ADJUSTING MECHANISM ADAPTER & PLASTIC COVER CAP SET



802643

PART NO.	GW NO.	CONTENTS	DIMENSION	QTY.
1	164108	CALIPER SENSOR COVER CAP	Ø 35 mm	10
2	169101	CALIPER ADJUSTING MECHANISM SHAFT ADAPTER	-	10

**156105** > CALIPER GUIDE PIN CAP SET



PART NO	GW NO	CONTENTS	DIMENSION	QTY.
1	164105	CALIPER GUIDE PIN CAP	∅ 40 x 14,5 mm	5

**156106** > CALIPER GUIDE PIN CAP SET



PART NO	GW NO	CONTENTS	DIMENSION	QTY.
1	164106	CALIPER GUIDE PIN CAP	∅ 40 x 14,5 mm	5

**156117** > CALIPER BODY SEAL CAP SET



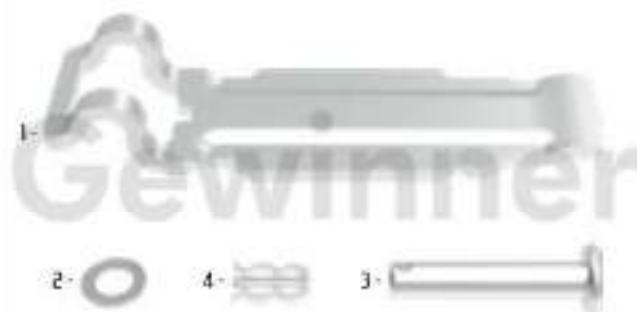
PART NO	GW NO	CONTENTS	DIMENSION	QTY.
1	164116	CALIPER BODY SEAL CAP	-	5

**156114** > BRAKE CHAMBER SEAL SET



PART NO	GW NO	CONTENTS	DIMENSION	QTY.
1	164113	BRAKE CHAMBER SEAL	∅ 42 mm	5

**111101** > CALIPER BRAKE PAD RETAINER KIT h= 25 mm



PART NO	GW NO	CONTENTS	DIMENSION	QTY.
1	11103	CALIPER BRAKE PAD RETAINER	h= 25 mm	1
2	12101	FW WASHER	-	1
3	12501	BRAKE PAD RETAINER PIN	-	1
4	10101	SPLIT PIN	-	1



BRAKE  
CALIPER  
REPAIR KITS

*for*  
**BENDIX**

**ADB3700**  
**ADB4300**

**779101** >> CALIPER GUIDE PIN & PIN BUSHING REPAIR KIT

IVECO EUROCARGO



PART NO	GW NO	CONTENTS	DIMENSION	QTY.
1	760101	CALIPER GUIDE PIN	∅ 45 x 150 mm	1
2	760102	CALIPER GUIDE PIN	∅ 24 x 92 mm	1
3	761105	CALIPER GUIDE PIN BOLT	M22 x 1.5 x 175 mm	1
4	761106	CALIPER GUIDE PIN BOLT	M16 x 1.5 x 124 mm	1
5	763101	CALIPER GUIDE PIN RUBBER BUSHING	∅ 38 x 24 x 55 mm	1
6	763102	CALIPER GUIDE PIN BUSHING	∅ 50 x 45 x 40 mm	2

381.391  
93161189

**779102** >> CALIPER BOOT REPAIR KIT

IVECO EUROCARGO



PART NO	GW NO	CONTENTS	DIMENSION	QTY.
1	762107	CALIPER GUIDE PIN BOOT (LARGE)	-	2
2	762108	CALIPER TAPPET BOOT	-	1
3	762109	CALIPER GUIDE PIN BOOT (SMALL)	-	2
4	766101	CALIPER TAPPET PLASTIC WASHER	-	1
5	767102	CALIPER GUIDE PIN BOOT RING (LARGE)	-	2
6	767103	CALIPER GUIDE PIN BOOT RING (SMALL)	-	2
7	767104	CALIPER SHAFT SHIELD	-	1
8	768106	O-RING	-	1

381.413  
5021 174 943  
93161192

**779105** > BRAKE PAD RETAINER REPAIR KIT

IVECO EUROARGO  
IVECO EUROTECH



381.419  
93161560

**779106** > BRAKE ADJUSTING BOLT KIT

IVECO EUROARGO  
IVECO EUROTECH



1133692  
93161560  
93161843



BRAKE  
CALIPER  
REPAIR KITS

*for*  
**WABCO**  
**PAN17**

**201420 > CALIPER COMPLETE REPAIR SET -R**



MAN L2000 Series  
 BMC MIDILUX Coach  
 DAF LF 45  
 ISUZU HARMONY Coach  
 IVECO EUROCARGO 110E, 120E  
 OPTARE SOLO  
 RENAULT MIDLUM 7.5T - 12T  
 TEMSA OPALIN 8 Coach  
 VOLVO B120LE MERIT BUS

PART NO	GW NO	CONTENTS	DIMENSION	QTY.	COMPATIBLE BRAKE CALIPER
1	201104	CALIPER ADJUSTING MECHANISM SET (with PIN)	110 mm	1	RIGHT HAND
2	205402	CALIPER PRESSURE PLATE -R (with GROOVE)	-	1	295401
3	207101	CALIPER LEVER	-	1	
4	208101	CALIPER NEEDLE BEARING SET	-	1	
5	211107	CALIPER BRAKE PAD HOLDER	-	1	
6	211116	CALIPER BRAKE PAD SPRING	-	3	
7	252101	CALIPER GUIDE PIN & BOOT SET	-	1	
8	256110	CALIPER HEAD GASKET AND SEAL SET	-	1	
9	261108	CALIPER HEAD COVER BOLT	M10 x 1 x 40 mm	8	
10	261113	CALIPER BRAKE PAD HOLDER BOLT	-	1	

**201520 > CALIPER COMPLETE REPAIR SET -L**



MAN L2000 Series  
 BMC MIDILUX Coach  
 DAF LF 45  
 ISUZU HARMONY Coach  
 IVECO EUROCARGO 110E, 120E  
 OPTARE SOLO  
 RENAULT MIDLUM 7.5T - 12T  
 TEMSA OPALIN 8 Coach  
 VOLVO B120LE MERIT BUS

PART NO	GW NO	CONTENTS	DIMENSION	QTY.	COMPATIBLE BRAKE CALIPER
1	201104	CALIPER ADJUSTING MECHANISM SET (with PIN)	110 mm	1	LEFT HAND
2	205502	CALIPER PRESSURE PLATE -L (with GROOVE)	-	1	295501
3	207101	CALIPER LEVER	-	1	
4	208101	CALIPER NEEDLE BEARING SET	-	1	
5	211107	CALIPER BRAKE PAD HOLDER	-	1	
6	211116	CALIPER BRAKE PAD SPRING	-	3	
7	252101	CALIPER GUIDE PIN & BOOT SET	-	1	
8	256110	CALIPER HEAD GASKET AND SEAL SET	-	1	
9	261108	CALIPER HEAD COVER BOLT	M10 x 1 x 40 mm	8	
10	261113	CALIPER BRAKE PAD HOLDER BOLT	-	1	

**201421** > CALIPER COMPLETE REPAIR SET -R

MERCEDES-BENZ 72C  
MERCEDES-BENZ 94C  
MERCEDES-BENZ L0914



PART NO	GW NO	CONTENTS	DIMENSION	QTY.	COMPATIBLE BRAKE CALIPER
1	20104	CALIPER ADJUSTING MECHANISM SET (with PIN)	110 mm	1	RIGHT HAND
2	205402	CALIPER PRESSURE PLATE -R (with GROOVE)	-	1	295402
3	207101	CALIPER LEVER	-	1	
4	208101	CALIPER NEEDLE BEARING SET	-	1	
5	21107	CALIPER BRAKE PAD HOLDER	-	1	
6	21116	CALIPER BRAKE PAD SPRING	-	3	
7	252134	CALIPER GUIDE PIN & BOOT SET	-	1	
8	256110	CALIPER HEAD GASKET AND SEAL SET	-	1	
9	261108	CALIPER HEAD COVER BOLT	M10 x 1 x 40 mm	8	
10	261113	CALIPER BRAKE PAD HOLDER BOLT	-	1	

**201521** > CALIPER COMPLETE REPAIR SET -L

MERCEDES-BENZ 72C  
MERCEDES-BENZ 94C  
MERCEDES-BENZ L0914



PART NO	GW NO	CONTENTS	DIMENSION	QTY.	COMPATIBLE BRAKE CALIPER
1	20104	CALIPER ADJUSTING MECHANISM SET (with PIN)	110 mm	1	LEFT HAND
2	205502	CALIPER PRESSURE PLATE -L (with GROOVE)	-	1	295502
3	207101	CALIPER LEVER	-	1	
4	208101	CALIPER NEEDLE BEARING SET	-	1	
5	21107	CALIPER BRAKE PAD HOLDER	-	1	
6	21116	CALIPER BRAKE PAD SPRING	-	3	
7	252134	CALIPER GUIDE PIN & BOOT SET	-	1	
8	256110	CALIPER HEAD GASKET AND SEAL SET	-	1	
9	261108	CALIPER HEAD COVER BOLT	M10 x 1 x 40 mm	8	
10	261113	CALIPER BRAKE PAD HOLDER BOLT	-	1	

**201403 > CALIPER COMPLETE REPAIR SET -R**



PART NO	GW NO	CONTENTS	DIMENSION	QTY.
1	201104	CALIPER ADJUSTING MECHANISM SET (with PIN)	110 mm	1
2	205402	CALIPER PRESSURE PLATE -R (with GROOVE)		1
3	207101	CALIPER LEVER		1
4	208101	CALIPER NEEDLE BEARING SET		1
5	252101	CALIPER GUIDE PIN & BOOT SET		1
6	256110	CALIPER HEAD GASKET AND SEAL SET		1
7	261108	CALIPER HEAD COVER BOLT	M10 x 1 x 40 mm	8

**201503 > CALIPER COMPLETE REPAIR SET -L**



PART NO	GW NO	CONTENTS	DIMENSION	QTY.
1	201104	CALIPER ADJUSTING MECHANISM SET (with PIN)	110 mm	1
2	205502	CALIPER PRESSURE PLATE -L (with GROOVE)		1
3	207101	CALIPER LEVER		1
4	208101	CALIPER NEEDLE BEARING SET		1
5	252101	CALIPER GUIDE PIN & BOOT SET		1
6	256110	CALIPER HEAD GASKET AND SEAL SET		1
7	261108	CALIPER HEAD COVER BOLT	M10 x 1 x 40 mm	8

**201409** > CALIPER COMPLETE REPAIR SET -R



PART NO	GW NO	CONTENTS	DIMENSION	QTY.
1	20804	CALIPER ADJUSTING MECHANISM SET (with PIN)	110 mm	1
2	205402	CALIPER PRESSURE PLATE -R (with GROOVE)		1
3	20801	CALIPER NEEDLE BEARING SET		1
4	25210	CALIPER GUIDE PIN & BOOT SET		1
5	25400	CALIPER HEAD GASKET AND SEAL SET		1
6	26408	CALIPER HEAD COVER BOLT	M10 x 1 x 40 mm	8

**201509** > CALIPER COMPLETE REPAIR SET -L



PART NO	GW NO	CONTENTS	DIMENSION	QTY.
1	201104	CALIPER ADJUSTING MECHANISM SET (with PIN)	110 mm	1
2	205502	CALIPER PRESSURE PLATE -L (with GROOVE)		1
3	208101	CALIPER NEEDLE BEARING SET		1
4	252101	CALIPER GUIDE PIN & BOOT SET		1
5	256110	CALIPER HEAD GASKET AND SEAL SET		1
6	261108	CALIPER HEAD COVER BOLT	M10 x 1 x 40 mm	8

**201404 > CALIPER COMPLETE REPAIR SET -R**



PART NO	GW NO	CONTENTS	DIMENSION	QTY.
1	201106	CALIPER ADJUSTING MECHANISM SET (with GROOVE)	110 mm	1
2	205401	CALIPER PRESSURE PLATE -R (with PIN)		1
3	207101	CALIPER LEVER		1
4	208101	CALIPER NEEDLE BEARING SET		1
5	252101	CALIPER GUIDE PIN & BOOT SET		1
6	256110	CALIPER HEAD GASKET AND SEAL SET		1
7	261108	CALIPER HEAD COVER BOLT	M10 x 1 x 40 mm	8

**201504 > CALIPER COMPLETE REPAIR SET -L**



PART NO	GW NO	CONTENTS	DIMENSION	QTY.
1	201106	CALIPER ADJUSTING MECHANISM SET (with GROOVE)	110 mm	1
2	205501	CALIPER PRESSURE PLATE -L (with PIN)		1
3	207101	CALIPER LEVER		1
4	208101	CALIPER NEEDLE BEARING SET		1
5	252101	CALIPER GUIDE PIN & BOOT SET		1
6	256110	CALIPER HEAD GASKET AND SEAL SET		1
7	261108	CALIPER HEAD COVER BOLT	M10 x 1 x 40 mm	8

**201410** >> CALIPER COMPLETE REPAIR SET -R



PART NO	GW NO	CONTENTS	DIMENSION	QTY.
1	20806	CALIPER ADJUSTING MECHANISM SET (with GROOVE)	110 mm	1
2	205401	CALIPER PRESSURE PLATE -R (with PIN)		1
3	20801	CALIPER NEEDLE BEARING SET		1
4	25201	CALIPER GUIDE PIN & BOOT SET		1
5	25601	CALIPER HEAD GASKET AND SEAL SET		1
6	26408	CALIPER HEAD COVER BOLT	M10 x 1 x 40 mm	8

**201510** >> CALIPER COMPLETE REPAIR SET -L



PART NO	GW NO	CONTENTS	DIMENSION	QTY.
1	201106	CALIPER ADJUSTING MECHANISM SET (with GROOVE)	110 mm	1
2	205501	CALIPER PRESSURE PLATE -L (with PIN)		1
3	208101	CALIPER NEEDLE BEARING SET		1
4	252101	CALIPER GUIDE PIN & BOOT SET		1
5	256110	CALIPER HEAD GASKET AND SEAL SET		1
6	261108	CALIPER HEAD COVER BOLT	M10 x 1 x 40 mm	8

PAN17

**201101 > CALIPER REPAIR SET [with PIN]**



PART NO	GW NO	CONTENTS	DIMENSION	QTY.
1	20104	CALIPER ADJUSTING MECHANISM SET (with PIN)	110 mm	1
2	26000	CALIPER GUIDE PIN	Ø 29.70 x 75 mm	1
3	26002	CALIPER GUIDE PIN	Ø 30 x 88 mm	1
4	26004	CALIPER GUIDE PIN BOLT	M16 x 1.5 x 70 mm	1
5	26006	CALIPER GUIDE PIN BOLT	M16 x 1.5 x 90 mm	1
6	26202	CALIPER GUIDE PIN BOOT	-	2
7	26203	CALIPER MECHANISM BOOT	-	1
8	26301	CALIPER GUIDE PIN BUSHING	Ø 34 x 30 x 20 mm	2
9	26304	CALIPER GUIDE PIN BUSHING	Ø 34 x 30 x 25 mm	1
10	26401	CALIPER GUIDE PIN CAP	Ø 34 x 17 mm	2

**202110 > CALIPER REPAIR KIT [with PIN]**



PART NO	GW NO	CONTENTS	DIMENSION	QTY.
1	26000	CALIPER GUIDE PIN	Ø 29.70 x 75 mm	1
2	26002	CALIPER GUIDE PIN	Ø 30 x 88 mm	1
3	26004	CALIPER GUIDE PIN BOLT	M16 x 1.5 x 70 mm	1
4	26006	CALIPER GUIDE PIN BOLT	M16 x 1.5 x 90 mm	1
5	26202	CALIPER GUIDE PIN BOOT	-	2
6	26203	CALIPER MECHANISM BOOT	-	1
7	26301	CALIPER GUIDE PIN BUSHING	Ø 34 x 30 x 20 mm	2
8	26304	CALIPER GUIDE PIN BUSHING	Ø 34 x 30 x 25 mm	1
9	26401	CALIPER GUIDE PIN CAP	Ø 34 x 17 mm	2
10	20202	CALIPER ADJUSTING MECHANISM REPAIR KIT (with PIN)	-	1

**201102 > CALIPER REPAIR SET [with GROOVE]**



PART NO	GW NO	CONTENTS	DIMENSION	QTY.
1	20106	CALIPER ADJUSTING MECHANISM SET (with GROOVE)	110 mm	1
2	26000	CALIPER GUIDE PIN	Ø 29.70 x 75 mm	1
3	26002	CALIPER GUIDE PIN	Ø 30 x 88 mm	1
4	26004	CALIPER GUIDE PIN BOLT	M16 x 1.5 x 70 mm	1
5	26006	CALIPER GUIDE PIN BOLT	M16 x 1.5 x 90 mm	1
6	26202	CALIPER GUIDE PIN BOOT	-	2
7	26203	CALIPER MECHANISM BOOT	-	1
8	26301	CALIPER GUIDE PIN BUSHING	Ø 34 x 30 x 20 mm	2
9	26304	CALIPER GUIDE PIN BUSHING	Ø 34 x 30 x 25 mm	1
10	26401	CALIPER GUIDE PIN CAP	Ø 34 x 17 mm	2

**202111 > CALIPER REPAIR SET [with GROOVE]**



PART NO	GW NO	CONTENTS	DIMENSION	QTY.
1	26000	CALIPER GUIDE PIN	Ø 29.70 x 75 mm	1
2	26002	CALIPER GUIDE PIN	Ø 30 x 88 mm	1
3	26004	CALIPER GUIDE PIN BOLT	M16 x 1.5 x 70 mm	1
4	26006	CALIPER GUIDE PIN BOLT	M16 x 1.5 x 90 mm	1
5	26202	CALIPER GUIDE PIN BOOT	-	2
6	26203	CALIPER MECHANISM BOOT	-	1
7	26301	CALIPER GUIDE PIN BUSHING	Ø 34 x 30 x 20 mm	2
8	26304	CALIPER GUIDE PIN BUSHING	Ø 34 x 30 x 25 mm	1
9	26401	CALIPER GUIDE PIN CAP	Ø 34 x 17 mm	2
10	20201	CALIPER ADJUSTING MECHANISM REPAIR KIT (with GROOVE)	-	1

**201104** > CALIPER ADJUSTING MECHANISM SET (with PIN)



**201106** > CALIPER ADJUSTING MECHANISM SET (with GROOVE)



**202102** > CALIPER ADJUSTING MECHANISM REPAIR KIT (with PIN)



**202101** > CALIPER ADJUSTING MECHANISM REPAIR KIT (with GROOVE)



**202107** > CALIPER ADJUSTING MECHANISM REPAIR KIT (with PIN)



**202108** > CALIPER ADJUSTING MECHANISM REPAIR KIT (with GROOVE)



**261101** > CALIPER CALIBRATION BOLT (with PIN)



**261102** > CALIPER CALIBRATION BOLT (with GROOVE)



**253102 > CALIPER ADJUSTING MECHANISM REPAIR KIT**



PART NO.	GW NO.	CONTENTS	DIMENSION	QTY.
1	253101	ADJUSTING MECHANISM TORSION SPRING RING	-	1
2	253102	ADJUSTING MECHANISM TORSION SPRING RING	-	1
3	252101	ADJUSTING MECHANISM TORSION SPRING	-	1
4	252102	ADJUSTING MECHANISM TORSION SPRING	-	1
5	253102	ADJUSTING MECHANISM BEVEL WASHER	-	1
6	253103	ADJUSTING MECHANISM SPRING WASHER	-	1
7	253104	ADJUSTING MECHANISM BOTTOM WASHER	-	1
8	280001	ADJUSTING MECHANISM LOCKER RING	-	1
9	200102	ADJUSTING MECHANISM CIRCLIP	-	1

**253101 > CALIPER ADJUSTING MECHANISM REPAIR KIT**



PART NO.	GW NO.	CONTENTS	DIMENSION	QTY.
1	252102	ADJUSTING MECHANISM TORSION SPRING	-	1
2	253102	ADJUSTING MECHANISM BEVEL WASHER	-	1
3	253103	ADJUSTING MECHANISM SPRING WASHER	-	1
4	253104	ADJUSTING MECHANISM BOTTOM WASHER	-	1
5	280001	ADJUSTING MECHANISM LOCKER RING	-	1
6	200102	ADJUSTING MECHANISM CIRCLIP	-	1

**212101 > CALIPER SHAFT HOUSING SET**



**207101 > CALIPER LEVER**



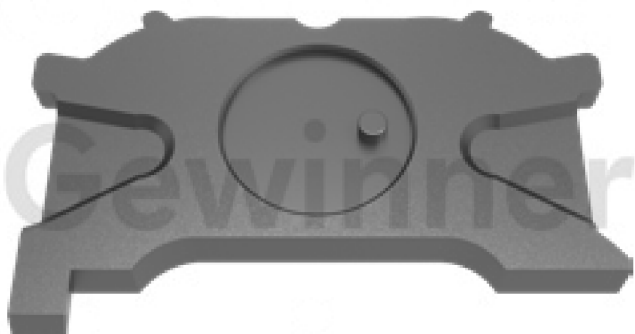
**208101 > CALIPER NEEDLE BEARING SET**



**010101 > GREASE**



**205501** >> CALIPER PRESSURE PLATE -L (with PIN)



**205401** >> CALIPER PRESSURE PLATE -R (with PIN)



**205502** >> CALIPER PRESSURE PLATE -L (with GROOVE)



**205402** >> CALIPER PRESSURE PLATE -R (with GROOVE)



**252134 > CALIPER GUIDE PIN REPAIR SET**



PART NO.	GW NO.	CONTENTS	DIMENSION	QTY.
1	250101	CALIPER GUIDE PIN	∅ 29,70 x 75 mm	1
2	260111	CALIPER GUIDE PIN	∅ 30 x 90 mm	1
3	261104	CALIPER GUIDE PIN BOLT	M16 x 1,5 x 70 mm	1
4	261125	CALIPER GUIDE PIN BOLT	M16 x 1,5 x 106 mm	1
5	262102	CALIPER GUIDE PIN BOOT	-	2
6	262103	CALIPER MECHANISM BOOT	-	1
7	263101	CALIPER GUIDE PIN BUSHING	∅ 34 x 30 x 20 mm	2
8	263104	CALIPER GUIDE PIN BUSHING	∅ 34 x 30 x 25 mm	1
9	264101	CALIPER GUIDE PIN CAP	∅ 34 x 17 mm	1
10	264107	CALIPER HEAD CAP	-	1
11	264108	CALIPER GUIDE PIN CAP	∅ 34 x 38 mm	1
12	270101	CALIPER HEAD SEAL	-	1

640 175 922 2

**252118 > CALIPER GUIDE PIN REPAIR SET**



PART NO.	GW NO.	CONTENTS	DIMENSION	QTY.
1	260101	CALIPER GUIDE PIN	∅ 29,70 x 75 mm	1
2	260102	CALIPER GUIDE PIN	∅ 30 x 88 mm	1
3	261104	CALIPER GUIDE PIN BOLT	M16 x 1,5 x 70 mm	1
4	261106	CALIPER GUIDE PIN BOLT	M16 x 1,5 x 90 mm	1
5	262102	CALIPER GUIDE PIN BOOT	-	2
6	262103	CALIPER MECHANISM BOOT	-	1
7	263104	CALIPER GUIDE PIN BUSHING	∅ 34 x 30 x 25 mm	3
8	264101	CALIPER GUIDE PIN BUSHING	∅ 34 x 17 mm	1
9	264108	CALIPER GUIDE PIN CAP	∅ 34 x 38 mm	1

**250110** > CALIPER BUSHING & BOOT REPAIR KIT



PART NO	GW NO	CONTENTS	DIMENSION	QTY.
1	262102	CALIPER GUIDE PIN BOOT	-	2
2	262103	CALIPER MECHANISM BOOT	-	1
3	263101	CALIPER GUIDE PIN BUSHING	Ø 34 x 30 x 20 mm	2
4	263104	CALIPER GUIDE PIN BUSHING	Ø 34 x 30 x 25 mm	1
5	264101	CALIPER GUIDE PIN CAP	Ø 34 x 17 mm	1
6	264106	CALIPER GUIDE PIN CAP	Ø 34 x 38 mm	1

**250119** > CALIPER BOOT & CAP REPAIR KIT



PART NO	GW NO	CONTENTS	DIMENSION	QTY.
1	262102	CALIPER GUIDE PIN BOOT	-	2
2	262103	CALIPER MECHANISM BOOT	-	1
3	263104	CALIPER GUIDE PIN BUSHING	Ø 34 x 30 x 25 mm	3
4	264101	CALIPER GUIDE PIN CAP	Ø 34 x 17 mm	1
5	264106	CALIPER GUIDE PIN CAP	Ø 34 x 38 mm	1

**250109** > CALIPER BOOT & CAP REPAIR KIT



PART NO	GW NO	CONTENTS	DIMENSION	QTY.
1	262102	CALIPER GUIDE PIN BOOT	-	2
2	262103	CALIPER MECHANISM BOOT	-	1
3	264101	CALIPER GUIDE PIN CAP	Ø 34 x 17 mm	1
4	264106	CALIPER GUIDE PIN CAP	Ø 34 x 38 mm	1

**252101** > CALIPER GUIDE PIN REPAIR SET



12 999 699VT  
12 999 702

PART NO.	GW NO.	CONTENTS	DIMENSION	QTY.
1	250001	CALIPER GUIDE PIN	∅ 29.70 x 75 mm	1
2	250002	CALIPER GUIDE PIN	∅ 30 x 88 mm	1
3	250004	CALIPER GUIDE PIN BOLT	M16 x 1.5 x 70 mm	1
4	250006	CALIPER GUIDE PIN BOLT	M16 x 1.5 x 90 mm	1
5	252002	CALIPER GUIDE PIN BOOT	-	2
6	252003	CALIPER MECHANISM BOOT	-	1
7	253001	CALIPER GUIDE PIN BUSHING	∅ 34 x 30 x 20 mm	2
8	253004	CALIPER GUIDE PIN BUSHING	∅ 34 x 30 x 25 mm	1
9	254003	CALIPER GUIDE PIN BUSHING	∅ 34 x 17 mm	2
10	254007	CALIPER HEAD CAP	-	1

**252102** > CALIPER GUIDE PIN REPAIR SET



PART NO.	GW NO.	CONTENTS	DIMENSION	QTY.
1	250001	CALIPER GUIDE PIN	∅ 29.70 x 75 mm	1
2	250002	CALIPER GUIDE PIN	∅ 30 x 88 mm	1
3	252002	CALIPER GUIDE PIN BOOT	-	2
4	252003	CALIPER MECHANISM BOOT	-	1
5	253001	CALIPER GUIDE PIN BUSHING	∅ 34 x 30 x 20 mm	2
6	253004	CALIPER GUIDE PIN BUSHING	∅ 34 x 30 x 25 mm	1
7	254003	CALIPER GUIDE PIN BUSHING	∅ 34 x 17 mm	2

**251101** > CALIPER GUIDE PIN REPAIR SET



PART NO.	GW NO.	CONTENTS	DIMENSION	QTY.
1	250001	CALIPER GUIDE PIN	∅ 29.70 x 75 mm	1
2	250002	CALIPER GUIDE PIN	∅ 30 x 88 mm	1
3	250004	CALIPER GUIDE PIN BOLT	M16 x 1.5 x 70 mm	1
4	250006	CALIPER GUIDE PIN BOLT	M16 x 1.5 x 90 mm	1
5	250008	CALIPER HEAD COVER BOLT	M10 x 1 x 40 mm	8

**252132** > CALIPER BOOT & CAP REPAIR KIT



PART NO	GW NO	CONTENTS	DIMENSION	QTY.
1	25104	CALIPER GUIDE PIN BOLT	M16 x 1,5 x 70 mm	1
2	25106	CALIPER GUIDE PIN BOLT	M16 x 1,5 x 90 mm	1
3	252102	CALIPER GUIDE PIN BOOT	-	2
4	252103	CALIPER MECHANISM BOOT	-	1
5	25101	CALIPER GUIDE PIN BUSHING	Ø 34 x 30 x 20 mm	2
6	25104	CALIPER GUIDE PIN BUSHING	Ø 34 x 30 x 25 mm	1
7	25101	CALIPER GUIDE PIN BUSHING	Ø 34 x 17 mm	2
8	254107	CALIPER HEAD CAP	-	1

12 959 704V7

**256101** > CALIPER BOOT & BOLT REPAIR KIT



PART NO	GW NO	CONTENTS	DIMENSION	QTY.
1	25104	CALIPER GUIDE PIN BOLT	M16 x 1,5 x 70 mm	1
2	25106	CALIPER GUIDE PIN BOLT	M16 x 1,5 x 90 mm	1
3	25108	CALIPER HEAD COVER BOLT	M10 x 1 x 40 mm	8
4	252102	CALIPER GUIDE PIN BOOT	-	2
5	252103	CALIPER MECHANISM BOOT	-	1
6	25101	CALIPER GUIDE PIN BUSHING	Ø 34 x 30 x 20 mm	2
7	25104	CALIPER GUIDE PIN BUSHING	Ø 34 x 30 x 25 mm	1
8	25101	CALIPER GUIDE PIN BUSHING	Ø 34 x 17 mm	2
9	254107	CALIPER HEAD CAP	-	1
10	27001	CALIPER HEAD SEAL	-	1
11	27003	CALIPER HEAD SEAL	-	1
12	27004	CALIPER COVER GASKET	-	1

**252104** > CALIPER BOOT & CAP REPAIR KIT



PART NO	GW NO	CONTENTS	DIMENSION	QTY.
1	252102	CALIPER GUIDE PIN BOOT	-	2
2	252103	CALIPER MECHANISM BOOT	-	1
3	25101	CALIPER GUIDE PIN BUSHING	Ø 34 x 30 x 20 mm	2
4	25104	CALIPER GUIDE PIN BUSHING	Ø 34 x 30 x 25 mm	1
5	25101	CALIPER GUIDE PIN BUSHING	Ø 34 x 17 mm	2

**250101** > CALIPER BOOT & CAP REPAIR KIT



PART NO	GW NO	CONTENTS	DIMENSION	QTY.
1	25202	CALIPER GUIDE PIN BOOT	-	2
2	25203	CALIPER MECHANISM BOOT	-	1
3	25401	CALIPER GUIDE PIN BUSHING	Ø 14 x 17 mm	2

**250102** > CALIPER BOOT & CAP REPAIR KIT



PART NO	GW NO	CONTENTS	DIMENSION	QTY.
1	25202	CALIPER GUIDE PIN BOOT	-	2
2	25203	CALIPER MECHANISM BOOT	-	1

**250122** > CALIPER BOOT & CAP REPAIR KIT



PART NO	GW NO	CONTENTS	DIMENSION	QTY.
1	25202	CALIPER GUIDE PIN BOOT	-	2
2	25203	CALIPER MECHANISM BOOT	-	1
3	25407	CALIPER HEAD CAP	-	1

**256104** > CALIPER HEAD GASKET AND SEAL SET



PART NO	GW NO	CONTENTS	DIMENSION	QTY.
1	25407	CALIPER HEAD CAP	-	1
2	27001	CALIPER HEAD SEAL	-	1
3	27003	CALIPER HEAD SEAL	-	1
4	27001	CALIPER COVER GASKET	-	1

**210101** > CALIPER COVER

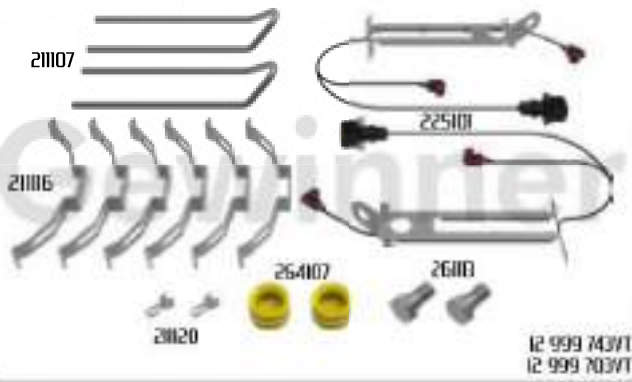


**271101** > CALIPER COVER GASKET



**211121** > CALIPER BRAKE PAD RETAINER KIT

DAF



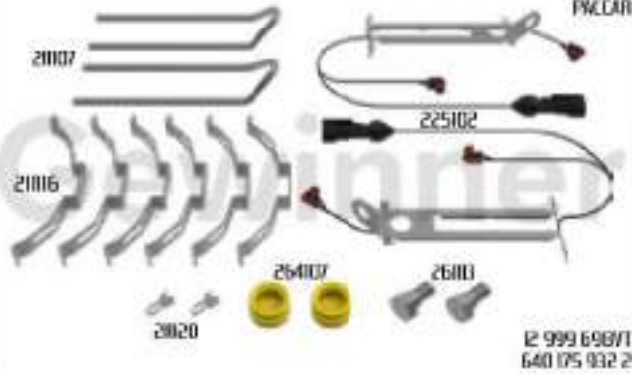
**225101** > BRAKE PAD WEAR SENSOR WIRE

DAF



**211122** > CALIPER BRAKE PAD RETAINER KIT

DAF  
IVECO  
PACCAR



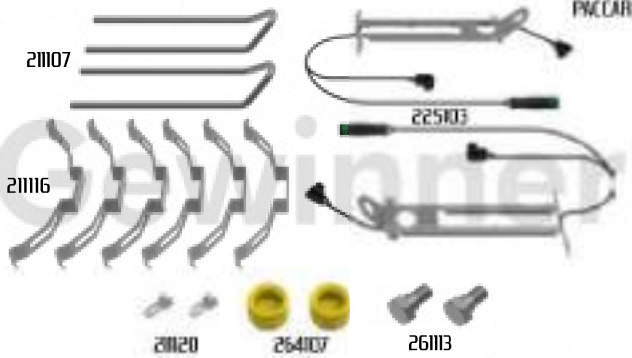
**225102** > BRAKE PAD WEAR SENSOR WIRE

DAF  
IVECO  
PACCAR



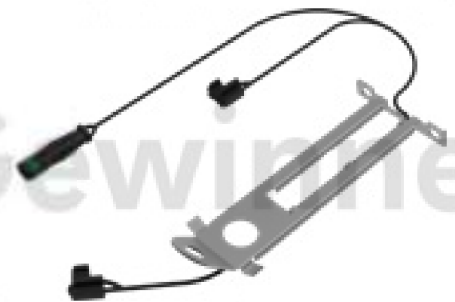
**211123** > CALIPER BRAKE PAD RETAINER KIT

DAF  
IVECO  
PACCAR



**225103** > BRAKE PAD WEAR SENSOR WIRE

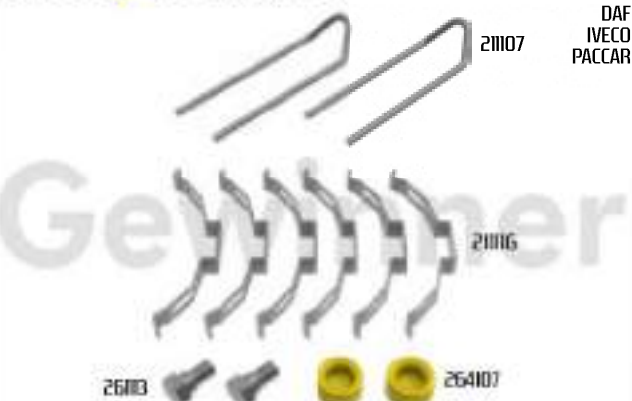
DAF  
IVECO  
PACCAR



12 480 021

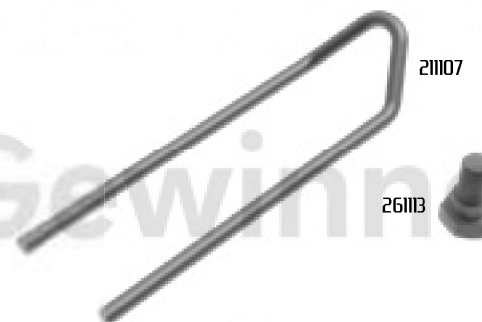
**211103** > CALIPER BRAKE PAD RETAINER KIT

DAF  
IVECO  
PACCAR



**211102** > CALIPER BRAKE PAD RETAINER KIT

DAF  
MAN  
IVECO  
OTOKAR  
PACCAR





BRAKE  
CALIPER  
REPAIR KITS

*for*  
**WABCO**

**PAN19-1  
PAN19-1 PLUS  
PAN22-1**

**201422** >> CALIPER COMPLETE REPAIR SET -R



SAF Axle  
GIGANT Axle  
VALX Axle  
SCHMITZ Trailer  
KOGEL Trailer  
SCHWARZMÜLLER Trailer  
SCANIA

PAN19-I / PAN19-I PLUS

PART NO	GW NO	CONTENTS	DIMENSION	QTY.	COMPATIBLE BRAKE CALIPER
1	20105	CALIPER ADJUSTING MECHANISM SET (with PIN)	115 mm	1	RIGHT HAND
2	205404	CALIPER PRESSURE PLATE -R (with GROOVE)	-	1	295404
3	207101	CALIPER LEVER	-	1	295405
4	208101	CALIPER NEEDLE BEARING SET	-	1	
5	21106	CALIPER BRAKE PAD HOLDER	-	1	
6	21113	CALIPER BRAKE PAD SPRING	-	3	
7	252107	CALIPER GUIDE PIN & BOOT SET	-	1	
8	256110	CALIPER HEAD GASKET AND SEAL SET	-	1	
9	261108	CALIPER HEAD COVER BOLT	M10 x 1 x 40 mm	8	
10	261112	CALIPER BRAKE PAD HOLDER BOLT	-	1	

**201522** >> CALIPER COMPLETE REPAIR SET -L



SAF Axle  
GIGANT Axle  
VALX Axle  
SCHMITZ Trailer  
KOGEL Trailer  
SCHWARZMÜLLER Trailer  
SCANIA

PAN19-I / PAN19-I PLUS

PART NO	GW NO	CONTENTS	DIMENSION	QTY.	COMPATIBLE BRAKE CALIPER
1	20105	CALIPER ADJUSTING MECHANISM SET (with PIN)	115 mm	1	LEFT HAND
2	205504	CALIPER PRESSURE PLATE -L (with GROOVE)	-	1	295504
3	207101	CALIPER LEVER	-	1	295505
4	208101	CALIPER NEEDLE BEARING SET	-	1	
5	21106	CALIPER BRAKE PAD HOLDER	-	1	
6	21113	CALIPER BRAKE PAD SPRING	-	3	
7	252107	CALIPER GUIDE PIN & BOOT SET	-	1	
8	256110	CALIPER HEAD GASKET AND SEAL SET	-	1	
9	261108	CALIPER HEAD COVER BOLT	M10 x 1 x 40 mm	8	
10	261112	CALIPER BRAKE PAD HOLDER BOLT	-	1	

**201405** > CALIPER COMPLETE REPAIR SET -R



PAN19-1 / PAN19-1 PLUS

PART NO	GW NO	CONTENTS	DIMENSION	QTY.
1	201105	CALIPER ADJUSTING MECHANISM SET	115 mm	1
2	205404	CALIPER PRESSURE PLATE -R (with GROOVE)	-	1
3	207101	CALIPER LEVER	-	1
4	208101	CALIPER NEEDLE BEARING SET	-	1
5	252107	CALIPER GUIDE PIN & BOOT SET	-	1
6	256110	CALIPER HEAD GASKET AND SEAL SET	-	1
7	261108	CALIPER HEAD COVER BOLT	M10 x 1 x 40 mm	8

**201505** > CALIPER COMPLETE REPAIR SET -L



PAN19-1 / PAN19-1 PLUS

PART NO	GW NO	CONTENTS	DIMENSION	QTY.
1	201105	CALIPER ADJUSTING MECHANISM SET	115 mm	1
2	205504	CALIPER PRESSURE PLATE -L (with GROOVE)	-	1
3	207101	CALIPER LEVER	-	1
4	208101	CALIPER NEEDLE BEARING SET	-	1
5	252107	CALIPER GUIDE PIN & BOOT SET	-	1
6	256110	CALIPER HEAD GASKET AND SEAL SET	-	1
7	261108	CALIPER HEAD COVER BOLT	M10 x 1 x 40 mm	8

**201423 > CALIPER COMPLETE REPAIR SET -R**



SAF Axle SKRB 9022W  
 SAF Axle : SKRB 9022WI INTEGRAL  
 SAF Axle : SKRS 9022W  
 SAF Axle : SKRS 11222W  
 SAF Axle : SKRZ 9022W  
 SAF Axle : SKRZ 11222W  
 SAF Axle : BI9-22W-6  
 SCHWARZMÜLLER Trailer  
 DEXTER Trailer  
 FAW  
 DAF  
 SCANIA

PAN22-I

PART NO	GW NO	CONTENTS	DIMENSION	QTY.	COMPATIBLE BRAKE CALIPER
1	201105	CALIPER ADJUSTING MECHANISM SET (with PIN)	110 mm	1	RIGHT HAND
2	205403	CALIPER PRESSURE PLATE -R (with GROOVE)	-	1	295406
3	207101	CALIPER LEVER	-	1	295407
4	208101	CALIPER NEEDLE BEARING SET	-	1	295408
5	211105	CALIPER BRAKE PAD HOLDER	-	1	
6	211114	CALIPER BRAKE PAD SPRING	-	3	
7	252106	CALIPER GUIDE PIN & BOOT SET	-	1	
8	256110	CALIPER HEAD GASKET AND SEAL SET	-	1	
9	261108	CALIPER HEAD COVER BOLT	M10 x 1 x 40 mm	8	
10	261112	CALIPER BRAKE PAD HOLDER BOLT	-	1	

**201523 > CALIPER COMPLETE REPAIR SET -L**



SAF Axle SKRB 9022W  
 SAF Axle : SKRB 9022WI INTEGRAL  
 SAF Axle : SKRS 9022W  
 SAF Axle : SKRS 11222W  
 SAF Axle : SKRZ 9022W  
 SAF Axle : SKRZ 11222W  
 SAF Axle : BI9-22W-6  
 SCHWARZMÜLLER Trailer  
 DEXTER Trailer  
 FAW  
 DAF  
 SCANIA

PAN22-I

PART NO	GW NO	CONTENTS	DIMENSION	QTY.	COMPATIBLE BRAKE CALIPER
1	201105	CALIPER ADJUSTING MECHANISM SET (with PIN)	110 mm	1	LEFT HAND
2	205503	CALIPER PRESSURE PLATE -L (with GROOVE)	-	1	295506
3	207101	CALIPER LEVER	-	1	295507
4	208101	CALIPER NEEDLE BEARING SET	-	1	295508
5	211105	CALIPER BRAKE PAD HOLDER	-	1	
6	211114	CALIPER BRAKE PAD SPRING	-	3	
7	252106	CALIPER GUIDE PIN & BOOT SET	-	1	
8	256110	CALIPER HEAD GASKET AND SEAL SET	-	1	
9	261108	CALIPER HEAD COVER BOLT	M10 x 1 x 40 mm	8	
10	261112	CALIPER BRAKE PAD HOLDER BOLT	-	1	

**201406 > CALIPER COMPLETE REPAIR SET -R**



PAN22-1

PART NO	GW NO	CONTENTS	DIMENSION	QTY.
1	201105	CALIPER ADJUSTING MECHANISM SET	115 mm	1
2	205403	CALIPER PRESSURE PLATE -R (with GROOVE)	-	1
3	207101	CALIPER LEVER	-	1
4	208101	CALIPER NEEDLE BEARING SET	-	1
5	252106	CALIPER GUIDE PIN & BOOT SET	-	1
6	256110	CALIPER HEAD GASKET AND SEAL SET	-	1
7	261108	CALIPER HEAD COVER BOLT	M10 x 1 x 40 mm	8

**201506 > CALIPER COMPLETE REPAIR SET -L**



PAN22-1

PART NO	GW NO	CONTENTS	DIMENSION	QTY.
1	201105	CALIPER ADJUSTING MECHANISM SET	115 mm	1
2	205503	CALIPER PRESSURE PLATE -L (with GROOVE)	-	1
3	207101	CALIPER LEVER	-	1
4	208101	CALIPER NEEDLE BEARING SET	-	1
5	252106	CALIPER GUIDE PIN & BOOT SET	-	1
6	256110	CALIPER HEAD GASKET AND SEAL SET	-	1
7	261108	CALIPER HEAD COVER BOLT	M10 x 1 x 40 mm	8

PAN19-1 & PAN19-1 PLUS  
& PAN22-1

PAN19-1 & PAN19-1 PLUS  
& PAN22-1

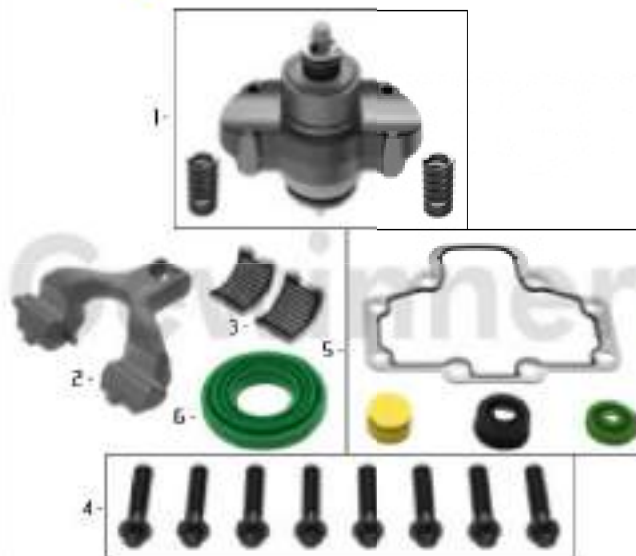
**201103 > CALIPER REPAIR SET**



PAN19-1 / PAN19-1 PLUS / PAN22-1

PART NO	GW NO	CONTENTS	DIMENSION	QTY.
1	201105	CALIPER ADJUSTING MECHANISM SET	115 mm	1
2	260103	CALIPER GUIDE PIN	∅ 38 x 76 mm	1
3	260104	CALIPER GUIDE PIN	∅ 38 x 118 mm	1
4	260105	CALIPER GUIDE PIN BOLT	M16 x 1.5 x 80 mm	1
5	260107	CALIPER GUIDE PIN BOLT	M16 x 1.5 x 120 mm	1
6	262003	CALIPER MECHANISM BOOT	-	1
7	262004	CALIPER GUIDE PIN BOOT	-	2
8	263002	CALIPER GUIDE PIN BUSHING	∅ 38 x 42 x 30 mm	3
9	264002	CALIPER GUIDE PIN CAP	∅ 42 x 17 mm	1
10	264003	CALIPER GUIDE PIN CAP	∅ 42 x 28 mm	1
11	273101	CALIPER GUIDE PIN BOOT WASHER	-	2

**201150 > CALIPER MECHANISM REPAIR SET**



PAN19-1 / PAN19-1 PLUS / PAN22-1

PART NO	GW NO	CONTENTS	DIMENSION	QTY.
1	201105	CALIPER ADJUSTING MECHANISM SET	115 mm	1
2	207101	CALIPER LEVER	-	1
3	208001	CALIPER NEEDLE BEARING SET	-	1
4	260108	CALIPER HEAD COVER BOLT	M10 x 1 x 40 mm	8
5	260104	CALIPER HEAD GASKET AND SEAL SET	-	1
6	262003	CALIPER MECHANISM BOOT	-	1

**201124 > CALIPER MECHANISM REPAIR SET**



PAN19-1 / PAN19-1 PLUS / PAN22-1

PART NO	GW NO	CONTENTS	DIMENSION	QTY.
1	201105	CALIPER ADJUSTING MECHANISM SET	115 mm	1
2	207101	CALIPER LEVER	-	1
3	208001	CALIPER NEEDLE BEARING SET	-	1

**202112** > CALIPER MECHANISM & GUIDE PIN REPAIR KIT



PAN19-1 / PAN19-1 PLUS / PAN22-1

PART NO	GW NO	CONTENTS	DIMENSION	QTY.
1	202103	CALIPER ADJUSTING MECHANISM REPAIR KIT (with PIN)	115 mm	1
2	260103	CALIPER GUIDE PIN	∅ 38 x 76 mm	1
3	260104	CALIPER GUIDE PIN	∅ 38 x 118 mm	1
4	261105	CALIPER GUIDE PIN BOLT	M16 x 1,5 x 80 mm	1
5	261107	CALIPER GUIDE PIN BOLT	M16 x 1,5 x 120 mm	1
6	262103	CALIPER MECHANISM BOOT	-	1
7	262104	CALIPER GUIDE PIN BOOT	-	2
8	263102	CALIPER GUIDE PIN BUSHING	∅ 38 x 42 x 30 mm	3
9	264102	CALIPER GUIDE PIN CAP	∅ 42 x 17 mm	1
10	264103	CALIPER GUIDE PIN CAP	∅ 42 x 28 mm	1
11	273101	CALIPER GUIDE PIN BOOT WASHER	-	2

**202113** > CALIPER MECHANISM & GUIDE PIN REPAIR KIT



PAN19-1 / PAN19-1 PLUS / PAN22-1

PART NO	GW NO	CONTENTS	DIMENSION	QTY.
1	202103	CALIPER ADJUSTING MECHANISM REPAIR KIT (with PIN)	115 mm	1
2	260103	CALIPER GUIDE PIN	∅ 38 x 76 mm	1
3	260104	CALIPER GUIDE PIN	∅ 38 x 118 mm	1
4	261105	CALIPER GUIDE PIN BOLT	M16 x 1,5 x 80 mm	1
5	261107	CALIPER GUIDE PIN BOLT	M16 x 1,5 x 120 mm	1
6	262103	CALIPER MECHANISM BOOT	-	1
7	262104	CALIPER GUIDE PIN BOOT	-	2
8	262105	CALIPER GUIDE PIN BOOT	-	2
9	263102	CALIPER GUIDE PIN BUSHING	∅ 38 x 42 x 30 mm	3
10	264102	CALIPER GUIDE PIN CAP	∅ 42 x 17 mm	2
11	264103	CALIPER GUIDE PIN CAP	∅ 42 x 28 mm	2
12	273101	CALIPER GUIDE PIN BOOT WASHER	-	4

PAN19-1 & PAN19-1 PLUS  
& PAN22-1

**201105 > CALIPER ADJUSTING MECHANISM SET**



PAN19-1 / PAN19-1 PLUS / PAN22-1

PART NO	GW NO	CONTENTS	DIMENSION	QTY.
1	20117	CALIPER ADJUSTING MECHANISM	-	1
2	27203	CALIPER SHAFT HOUSING SPRING	-	2

**202103 > CALIPER ADJUSTING MECHANISM REPAIR KIT**



PAN19-1 / PAN19-1 PLUS / PAN22-1

PART NO	GW NO	CONTENTS	DIMENSION	QTY.
1	25101	CALIPER CALIBRATION BOLT (with GROOVE)	80.4 mm	1
2	26701	ADJUSTING MECHANISM TORSION SPRING RING	-	1
3	26702	ADJUSTING MECHANISM TORSION SPRING RING	-	1
4	27201	ADJUSTING MECHANISM TORSION SPRING	-	1
5	27202	ADJUSTING MECHANISM TORSION SPRING	-	1
6	27302	ADJUSTING MECHANISM BEVEL WASHER	-	1
7	27301	ADJUSTING MECHANISM SPRING WASHER	-	1
8	27304	ADJUSTING MECHANISM BOTTOM WASHER	-	1
9	28101	ADJUSTING MECHANISM LOCKER RING	-	1
10	28102	ADJUSTING MECHANISM CIRCLIP	-	1
11	28202	ADJUSTING MECHANISM SLOT	115 mm	1

**202109 > CALIPER ADJUSTING MECHANISM REPAIR KIT (with PIN)**



PAN19-1 / PAN19-1 PLUS / PAN22-1

PART NO	GW NO	CONTENTS	DIMENSION	QTY.
1	25101	CALIPER CALIBRATION BOLT (with PIN)	80.4 mm	1
2	26701	ADJUSTING MECHANISM TORSION SPRING RING	-	1
3	26702	ADJUSTING MECHANISM TORSION SPRING RING	-	1
4	27201	ADJUSTING MECHANISM TORSION SPRING	-	1
5	28202	ADJUSTING MECHANISM SLOT	115 mm	1

**253102 > CALIPER ADJUSTING MECHANISM REPAIR KIT**



PAN19-1 / PAN19-1 PLUS / PAN22-1

**253101 > CALIPER ADJUSTING MECHANISM REPAIR KIT**



PAN19-1 / PAN19-1 PLUS / PAN22-1

PAN19-1 & PAN19-1 PLUS & PAN22-1

**212102** >> CALIPER SHAFT HOUSING SET



PAN19-1 / PAN19-1 PLUS / PAN22-1

PART NO	GW NO	CONTENTS	DIMENSION	QTY.
1	212109	CALIPER SHAFT HOUSING	-	1
2	272103	CALIPER SHAFT HOUSING SPRING	-	2

**207101** >> CALIPER LEVER



PAN19-1 / PAN19-1 PLUS / PAN22-1

**208101** >> CALIPER NEEDLE BEARING SET



PAN19-1 / PAN19-1 PLUS / PAN22-1

**261103** >> CALIPER CALIBRATION BOLT (with PIN)



PAN19-1 / PAN19-1 PLUS / PAN22-1

**010101** >> GREASE



**205504** >> CALIPER PRESSURE PLATE -L (with GROOVE)



PAN19-1 / PAN19-1 PLUS

640 195 936 2-L

**205404** >> CALIPER PRESSURE PLATE -R (with GROOVE)



PAN19-1 / PAN19-1 PLUS

640 195 936 2-R

**205503** >> CALIPER PRESSURE PLATE -L (with GROOVE)



PAN22-1

640 225 926 2-L

**205403** >> CALIPER PRESSURE PLATE -R (with GROOVE)



PAN22-1

640 225 926 2-R

**252106** > CALIPER GUIDE PIN REPAIR KIT



PAN19-1 / PAN19-1 PLUS / PAN22-1

PART NO	GW NO	CONTENTS	DIMENSION	QTY.
1	264003	CALIPER GUIDE PIN	∅ 38 x 76 mm	1
2	264004	CALIPER GUIDE PIN	∅ 38 x 118 mm	1
3	264005	CALIPER GUIDE PIN BOLT	M16 x 1.5 x 80 mm	1
4	264007	CALIPER GUIDE PIN BOLT	M16 x 1.5 x 120 mm	1
5	262103	CALIPER MECHANISM BOOT	-	1
6	262104	CALIPER GUIDE PIN BOOT	-	2
7	262105	CALIPER GUIDE PIN BOOT	-	2
8	264102	CALIPER GUIDE PIN BUSHING	∅ 38 x 42 x 30 mm	3
9	264102	CALIPER GUIDE PIN CAP	∅ 42 x 17 mm	2
10	264103	CALIPER GUIDE PIN CAP	∅ 42 x 28 mm	2
11	264107	CALIPER HEAD CAP	-	1
12	273001	CALIPER GUIDE PIN BOOT WASHER	-	4

12 999 739V1

**252110** > CALIPER GUIDE PIN REPAIR KIT



PAN19-1 / PAN19-1 PLUS / PAN22-1

PART NO	GW NO	CONTENTS	DIMENSION	QTY.
1	264003	CALIPER GUIDE PIN	∅ 38 x 76 mm	1
2	264004	CALIPER GUIDE PIN	∅ 38 x 118 mm	1
3	264005	CALIPER GUIDE PIN BOLT	M16 x 1.5 x 80 mm	1
4	264007	CALIPER GUIDE PIN BOLT	M16 x 1.5 x 120 mm	1
5	262103	CALIPER MECHANISM BOOT	-	1
6	262105	CALIPER GUIDE PIN BOOT	-	2
7	264102	CALIPER GUIDE PIN BUSHING	∅ 38 x 42 x 30 mm	3
8	264102	CALIPER GUIDE PIN CAP	∅ 42 x 17 mm	1
9	264103	CALIPER GUIDE PIN CAP	∅ 42 x 28 mm	1
10	273001	CALIPER GUIDE PIN BOOT WASHER	-	2

**252109** > CALIPER BOOT & CAP REPAIR KIT

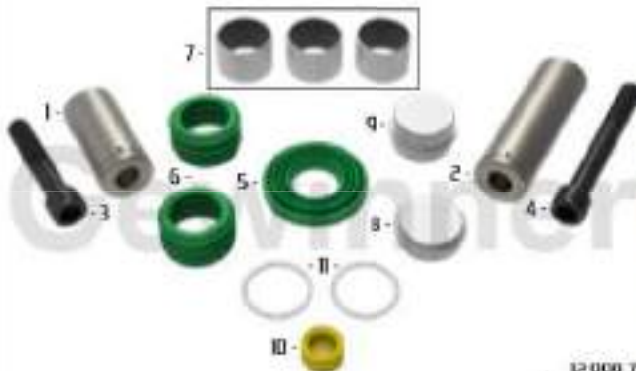


PAN19-1 / PAN19-1 PLUS / PAN22-1

PART NO	GW NO	CONTENTS	DIMENSION	QTY.
1	262103	CALIPER MECHANISM BOOT	-	1
2	262104	CALIPER GUIDE PIN BOOT	-	2
3	262105	CALIPER GUIDE PIN BOOT	-	2
4	264102	CALIPER GUIDE PIN BUSHING	∅ 38 x 42 x 30 mm	3
5	264102	CALIPER GUIDE PIN CAP	∅ 42 x 17 mm	2
6	264103	CALIPER GUIDE PIN CAP	∅ 42 x 28 mm	2
7	273001	CALIPER GUIDE PIN BOOT WASHER	-	4

PAN19-1 & PAN19-1 PLUS  
& PAN22-1

**252107 > CALIPER GUIDE PIN REPAIR KIT**



12 999 776  
640 225 921 2

PAN19-1 / PAN19-1 PLUS / PAN22-1

PART NO.	GW NO.	CONTENTS	DIMENSION	QTY.
1	250103	CALIPER GUIDE PIN	Ø 38 x 76 mm	1
2	250104	CALIPER GUIDE PIN	Ø 38 x 118 mm	1
3	250105	CALIPER GUIDE PIN BOLT	M16 x 1.5 x 80 mm	1
4	250107	CALIPER GUIDE PIN BOLT	M16 x 1.5 x 120 mm	1
5	252003	CALIPER MECHANISM BOOT	-	1
6	252004	CALIPER GUIDE PIN BOOT	-	2
7	253002	CALIPER GUIDE PIN BUSHING	Ø 38 x 42 x 30 mm	3
8	254002	CALIPER GUIDE PIN CAP	Ø 42 x 17 mm	1
9	254003	CALIPER GUIDE PIN CAP	Ø 42 x 28 mm	1
10	254007	CALIPER HEAD CAP	-	1
11	273101	CALIPER GUIDE PIN BOOT WASHER	-	2

**252108 > CALIPER GUIDE PIN REPAIR KIT**



PAN19-1 / PAN19-1 PLUS / PAN22-1

PART NO.	GW NO.	CONTENTS	DIMENSION	QTY.
1	250103	CALIPER GUIDE PIN	Ø 38 x 76 mm	1
2	250104	CALIPER GUIDE PIN	Ø 38 x 118 mm	1
3	252003	CALIPER MECHANISM BOOT	-	1
4	252004	CALIPER GUIDE PIN BOOT	-	2
5	253002	CALIPER GUIDE PIN BUSHING	Ø 38 x 42 x 30 mm	3
6	254002	CALIPER GUIDE PIN CAP	Ø 42 x 17 mm	1
7	254003	CALIPER GUIDE PIN CAP	Ø 42 x 28 mm	1
8	273101	CALIPER GUIDE PIN BOOT WASHER	-	2

**252111 > CALIPER BOOT & CAP REPAIR KIT**



PAN19-1 / PAN19-1 PLUS / PAN22-1

PART NO.	GW NO.	CONTENTS	DIMENSION	QTY.
1	252003	CALIPER MECHANISM BOOT	-	1
2	252004	CALIPER GUIDE PIN BOOT	-	2
3	253002	CALIPER GUIDE PIN BUSH	Ø 38 x 42 x 30 mm	3
4	254002	CALIPER GUIDE PIN CAP	Ø 42 x 17 mm	1
5	254003	CALIPER GUIDE PIN CAP	Ø 42 x 28 mm	1
6	273101	CALIPER GUIDE PIN BOOT WASHER	-	2

**251102 > CALIPER GUIDE PIN REPAIR KIT**



PAN19-1 / PAN19-1 PLUS / PAN22-1

PART NO.	GW NO.	CONTENTS	DIMENSION	QTY.
1	250103	CALIPER GUIDE PIN	Ø 38 x 76 mm	1
2	250104	CALIPER GUIDE PIN	Ø 38 x 118 mm	1
3	250105	CALIPER GUIDE PIN BOLT	M16 x 1.5 x 80 mm	1
4	250107	CALIPER GUIDE PIN BOLT	M16 x 1.5 x 120 mm	1
5	250108	CALIPER HEAD COVER BOLT	M10 x 1 x 40 mm	8

**250117** > CALIPER BOOT REPAIR KIT



PAN19-1 / PAN19-1 PLUS / PAN22-1

**250105** > CALIPER BOOT REPAIR KIT



PAN19-1 / PAN19-1 PLUS / PAN22-1

**250103** > CALIPER BOOT REPAIR KIT



PAN19-1 / PAN19-1 PLUS / PAN22-1

**250113** > CALIPER BOOT REPAIR KIT



PAN19-1 / PAN19-1 PLUS / PAN22-1

**256104** > CALIPER HEAD GASKET AND SEAL SET



PAN19-1 / PAN19-1 PLUS / PAN22-1

**250106** > CALIPER BOOT & SEAL SET



PAN19-1 / PAN19-1 PLUS / PAN22-1

640 175 020 2

**210101** > CALIPER COVER



PAN19-1 / PAN19-1 PLUS / PAN22-1

**271101** > CALIPER COVER GASKET



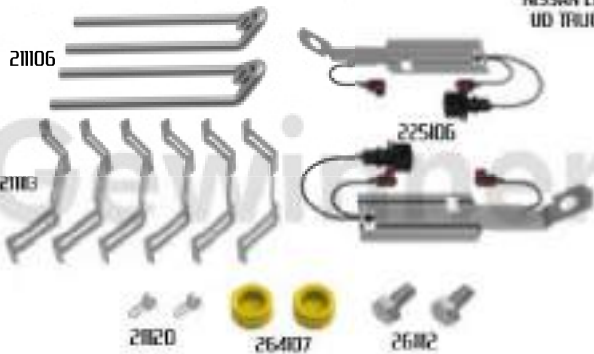
PAN19-1 / PAN19-1 PLUS / PAN22-1

PAN19-1 & PAN19-1 PLUS  
& PAN22-1

PAN19-1 & PAN19-1 PLUS  
& PAN22-1

**211129 > CALIPER BRAKE PAD RETAINER KIT**

VOLVO  
NISSAN LKW  
UD TRUCKS



PAN19-1

12 999 795

**225106 > BRAKE PAD WEAR SENSOR WIRE**

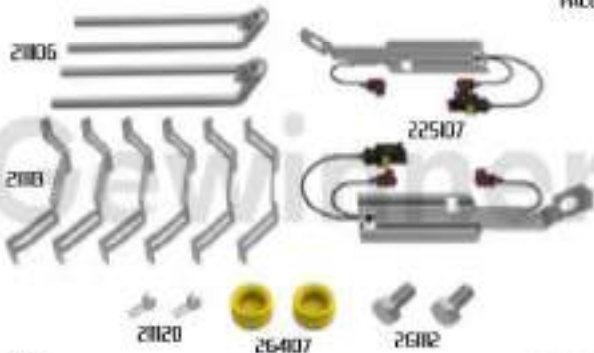
VOLVO  
NISSAN LKW  
UD TRUCKS



PAN19-1

**211130 > CALIPER BRAKE PAD RETAINER KIT**

DAF  
PACCAR



PAN19-1

12 999 791

**225107 > BRAKE PAD WEAR SENSOR WIRE**

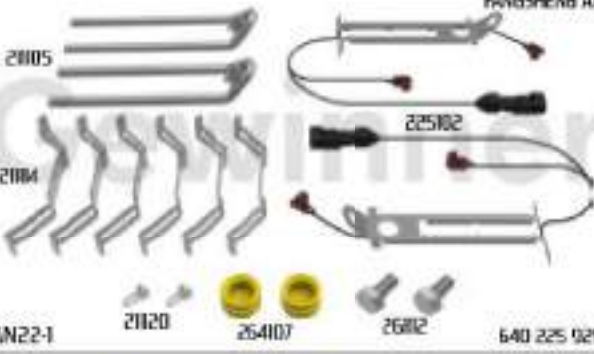
DAF  
PACCAR



PAN19-1

**211128 > CALIPER BRAKE PAD RETAINER KIT**

FUWA AXLE  
BEIBEN TRUCK  
YUTONG BUS  
FANGSHENG AXLE



PAN22-1

640 225 929 2

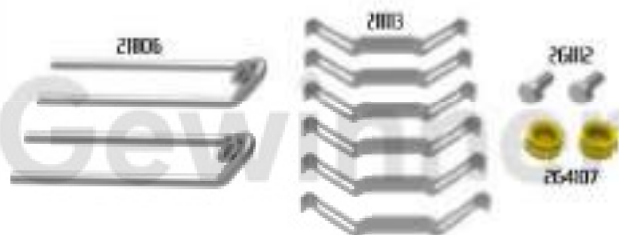
**225102 > BRAKE PAD WEAR SENSOR WIRE**

FUWA AXLE  
BEIBEN TRUCK  
YUTONG BUS  
FANGSHENG AXLE



PAN22-1

**211112 > CALIPER BRAKE PAD RETAINER KIT**



PAN19-1 / PAN19-1 PLUS

**211104 > CALIPER BRAKE PAD RETAINER KIT**



PAN22-1

[www.gewinnerbrake.com](http://www.gewinnerbrake.com)

PAN19-2 & PAN22-2

*for*  
**WABCO**

**PAN19-2**  
**PAN22-2**



BRAKE  
CALIPER  
REPAIR KITS

**201110** > CALIPER COMPLETE REPAIR SET



PAN19-2

PART NO	GW NO	CONTENTS	DIMENSION	QTY.
1	207102	CALIPER SHAFT HOUSING SET	-	1
2	207103	CALIPER LEVER SET	-	1
3	207107	CALIPER BEARING SADDLE	-	1
4	252112	CALIPER GUIDE PIN REPAIR KIT	-	1
5	255102	CALIPER MECHANISM REPAIR KIT	-	1
6	256103	CALIPER COVER GASKET & SEAL REPAIR KIT	-	1

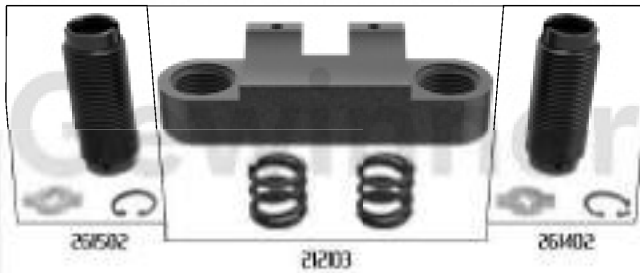
**201111** > CALIPER COMPLETE REPAIR SET



PAN22-2

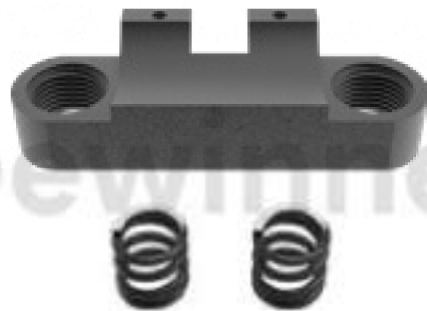
PART NO	GW NO	CONTENTS	DIMENSION	QTY.
1	207102	CALIPER SHAFT HOUSING SET	-	1
2	207103	CALIPER LEVER SET	-	1
3	207107	CALIPER BEARING SADDLE	-	1
4	250104	CALIPER TAPPET REPAIR KIT	-	1
5	252116	CALIPER GUIDE PIN REPAIR KIT	-	1
6	255102	CALIPER MECHANISM REPAIR KIT	-	1
7	256103	CALIPER COVER GASKET & SEAL REPAIR KIT	-	1

**207102** > CALIPER SHAFT HOUSING SET



PAN19-2 / PAN22-2

**212103** > CALIPER SHAFT HOUSING REPAIR KIT



PAN19-2 / PAN22-2

**261502** > CALIPER CALIBRATION BOLT KIT -L



PAN19-2 / PAN22-2

**261402** > CALIPER CALIBRATION BOLT KIT -R



PAN19-2 / PAN22-2

**255101** > CALIPER MECHANISM REPAIR KIT



PAN19-2 / PAN22-2

**255102** > CALIPER MECHANISM REPAIR KIT



PAN19-2 / PAN22-2

**255104** > CALIPER MECHANISM REPAIR KIT



PAN19-2 / PAN22-2

**280101** > CALIPER LEVER PIN



PAN19-2 / PAN22-2

PAN19-2 & PAN22-2

**207103** >> CALIPER LEVER SET



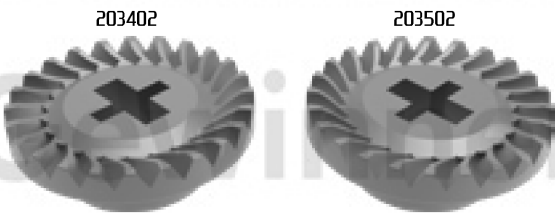
PAN19-2 / PAN22-2

**207104** >> CALIPER LEVER SET



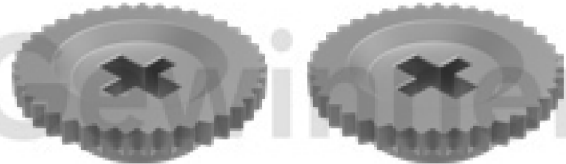
PAN19-2 / PAN22-2

**203104** >> CALIPER MECHANISM GEAR SET -L / -R



PAN19-2 / PAN22-2

**203101** >> CALIPER LEVER GEAR SET



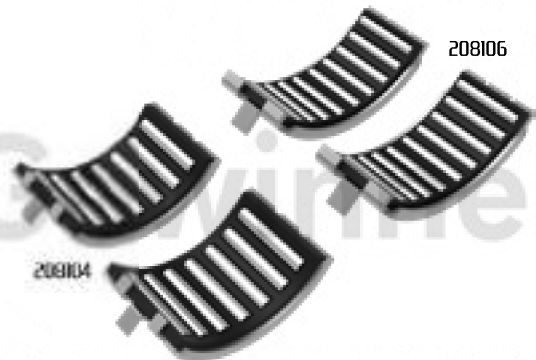
PAN19-2 / PAN22-2

**207107** >> CALIPER BEARING SADDLE



PAN19-2 / PAN22-2

**208103** >> CALIPER NEEDLE BEARING SET



PAN19-2 / PAN22-2

**208104** >> CALIPER NEEDLE BEARING SET



PAN19-2 / PAN22-2

PART NO	GW NO	CONTENTS	DIMENSION	QTY.
1	208105	CALIPER NEEDLE BEARING	-	2

**208106** >> CALIPER NEEDLE BEARING SET



PAN19-2 / PAN22-2

PART NO	GW NO	CONTENTS	DIMENSION	QTY.
1	208107	CALIPER NEEDLE BEARING	-	2

**252112 >** CALIPER GUIDE PIN REPAIR KIT



PAN19-2

PART NO	GW NO	CONTENTS	DIMENSION	QTY.
1	250104	CALIPER TAPPET REPAIR KIT	-	1
2	250103	CALIPER GUIDE PIN	∅ 38 x 76 mm	1
3	250104	CALIPER GUIDE PIN	∅ 38 x 118 mm	1
4	250105	CALIPER GUIDE PIN BOLT	M16 x 1.5 x 80 mm	1
5	250107	CALIPER GUIDE PIN BOLT	M16 x 1.5 x 120 mm	1
6	252105	CALIPER GUIDE PIN BOOT	-	2
7	250102	CALIPER GUIDE PIN BUSHING	∅ 38 x 42 x 30 mm	3
8	254102	CALIPER GUIDE PIN CAP	∅ 42 x 17 mm	1
9	254103	CALIPER GUIDE PIN CAP	∅ 42 x 28 mm	1
10	254107	CALIPER HEAD CAP	-	2
11	273101	CALIPER GUIDE PIN BOOT WASHER	-	2

12 999 746VT

**252113 >** CALIPER GUIDE PIN REPAIR KIT



PAN19-2

PART NO	GW NO	CONTENTS	DIMENSION	QTY.
1	250104	CALIPER TAPPET REPAIR KIT	-	1
2	250103	CALIPER GUIDE PIN	∅ 38 x 76 mm	1
3	250104	CALIPER GUIDE PIN	∅ 38 x 118 mm	1
4	250105	CALIPER GUIDE PIN BOLT	M16 x 1.5 x 80 mm	1
5	250107	CALIPER GUIDE PIN BOLT	M16 x 1.5 x 120 mm	1
6	252105	CALIPER GUIDE PIN BOOT	-	2
7	254107	CALIPER HEAD CAP	-	2
8	273101	CALIPER GUIDE PIN BOOT WASHER	-	2

**252116 >** CALIPER GUIDE PIN REPAIR KIT



PAN22-2

PART NO	GW NO	CONTENTS	DIMENSION	QTY.
1	250106	CALIPER GUIDE PIN	∅ 37.7 x 70 mm	1
2	250107	CALIPER GUIDE PIN	∅ 38 x 128 mm	1
3	250105	CALIPER GUIDE PIN BOLT	M16 x 1.5 x 80 mm	1
4	250108	CALIPER GUIDE PIN BOLT	M16 x 1.5 x 130 mm	1
5	252105	CALIPER GUIDE PIN BOOT	-	2
6	252108	CALIPER GUIDE PIN BOOT	-	1
7	250102	CALIPER GUIDE PIN BUSHING	∅ 38 x 42 x 30 mm	3
8	254102	CALIPER GUIDE PIN CAP	∅ 42 x 17 mm	1
9	254107	CALIPER HEAD CAP	-	2
10	250105	CALIPER GUIDE PIN BOOT RING	∅ 42 x 57 x 11 mm	1
11	273101	CALIPER GUIDE PIN BOOT WASHER	-	2

12 999 678VT

**252122 >** CALIPER BOOT REPAIR KIT



PAN22-2

12 999 67VT

**256103 >** CALIPER COVER GASKET & SEAL REPAIR KIT



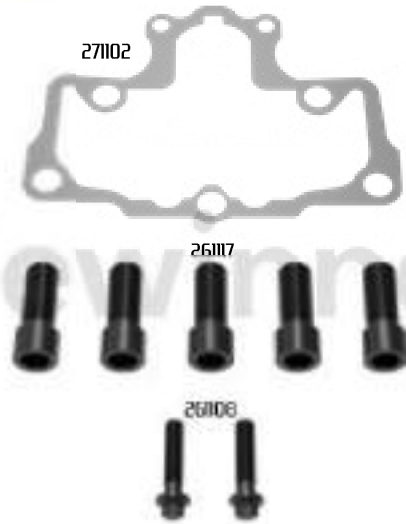
PAN19-2 / PAN22-2

**252114 >** CALIPER BOOT REPAIR KIT



PAN19-2 / PAN22-2

**256109 >** CALIPER COVER GASKET & SEAL REPAIR KIT



PAN19-2 / PAN22-2

**250104 >** CALIPER TAPPET REPAIR KIT



PAN19-2 / PAN22-2

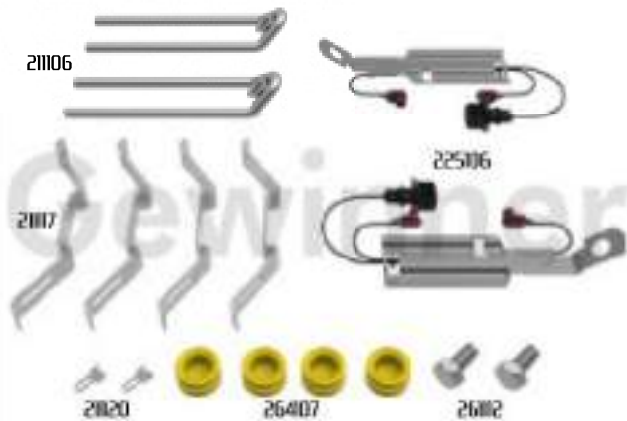
PART NO	GW NO	CONTENTS	DIMENSION	QTY.
1	21101	CALIPER TAPPET RING	-	2
2	262114	CALIPER TAPPET & BOOT ASSEMBLY	-	2

**010101 >** GREASE



**211132** > CALIPER BRAKE PAD RETAINER KIT

DAF  
MACK  
RENAULT TRUCKS



PAN19-2

12 999 7471

**225106** > BRAKE PAD WEAR SENSOR WIRE

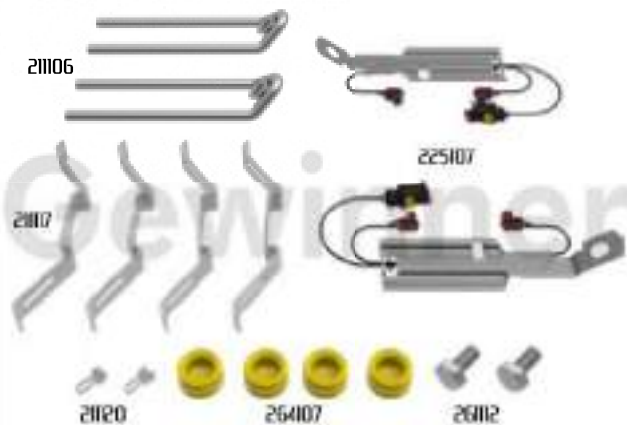
DAF  
MACK  
RENAULT TRUCKS



PAN19-2

**211133** > CALIPER BRAKE PAD RETAINER KIT

ALEXANDER  
DENNIS



PAN19-2

12999770

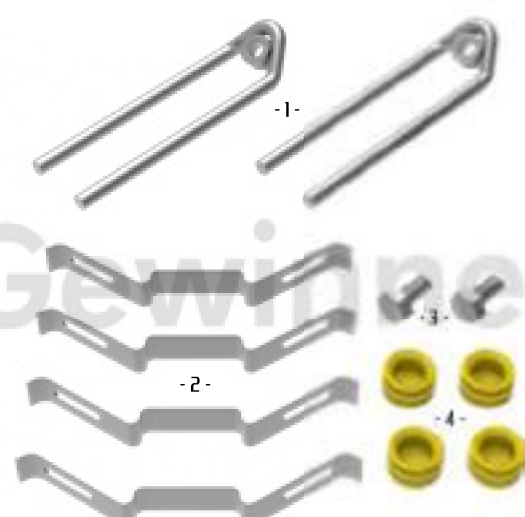
**225107** > BRAKE PAD WEAR SENSOR WIRE

ALEXANDER  
DENNIS



PAN19-2

**211111** > CALIPER BRAKE PAD RETAINER KIT



PAN19-2 / PAN22-2

PART NO	GW NO	CONTENTS	DIMENSION	QTY.
1	21106	CALIPER BRAKE PAD HOLDER	-	2
2	21107	CALIPER BRAKE PAD SPRING	-	4
3	26112	CALIPER BRAKE PAD HOLDER BOLT	-	2
4	26407	CALIPER HEAD CAP	-	4

PAN19-2 & PAN22-2



BRAKE  
CALIPER  
REPAIR KITS

*for*  
**WABCO**  
**MAXX17**

**201401** > CALIPER COMPLETE REPAIR SET -R



PART NO	GW NO	CONTENTS	DIMENSION	QTY.
1	201125	CALIPER ADJUSTING MECHANISM SET (with PIN)	-	1
2	205407	CALIPER PRESSURE PLATE -R (with GROOVE)	-	1
3	207118	CALIPER LEVER	-	1
4	208101	CALIPER NEEDLE BEARING SET	-	1
5	252136	CALIPER GUIDE PIN & BOOT SET	-	1
6	256108	CALIPER HEAD GASKET AND SEAL SET	-	1
7	261108	CALIPER HEAD COVER BOLT	M10 x 1 x 40 mm	8

**201501** > CALIPER COMPLETE REPAIR SET -L



PART NO	GW NO	CONTENTS	DIMENSION	QTY.
1	201125	CALIPER ADJUSTING MECHANISM SET (with PIN)	-	1
2	205507	CALIPER PRESSURE PLATE -L (with GROOVE)	-	1
3	207118	CALIPER LEVER	-	1
4	208101	CALIPER NEEDLE BEARING SET	-	1
5	252136	CALIPER GUIDE PIN & BOOT SET	-	1
6	256108	CALIPER HEAD GASKET AND SEAL SET	-	1
7	261108	CALIPER HEAD COVER BOLT	M10 x 1 x 40 mm	8

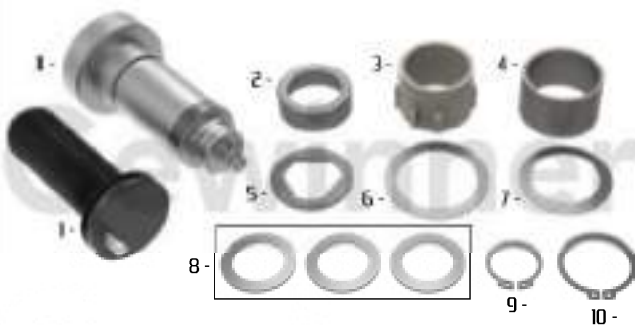
**201127** > CALIPER REPAIR SET (with PIN)



**201125** > CALIPER ADJUSTING MECHANISM SET (with PIN)

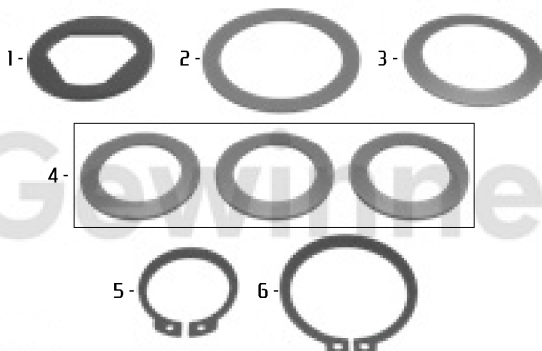


**202117** > CALIPER ADJUSTING MECHANISM REPAIR KIT (with PIN)



PART NO	GW NO	CONTENTS	DIMENSION	QTY.
1	261211	CALIPER CALIBRATION BOLT (with PIN)	-	1
2	267006	ADJUSTING MECHANISM TORSION SPRING RING	-	1
3	267010	ADJUSTING MECHANISM TORSION SPRING RING	-	1
4	272105	ADJUSTING MECHANISM TORSION SPRING	-	1
5	273005	ADJUSTING MECHANISM TRIANGLE WASHER	-	1
6	273006	ADJUSTING MECHANISM SPRING WASHER	-	1
7	273107	ADJUSTING MECHANISM BEVEL WASHER (LARGE)	-	1
8	278101	ADJUSTING MECHANISM BEVEL WASHER (SMALL)	-	3
9	281103	ADJUSTING MECHANISM CIRCLIP (SMALL)	-	1
10	281104	ADJUSTING MECHANISM CIRCLIP (LARGE)	-	1
11	282105	ADJUSTING MECHANISM SLOT	-	1

**253105** > CALIPER ADJUSTING MECHANISM REPAIR KIT



PART NO	GW NO	CONTENTS	DIMENSION	QTY.
1	273105	ADJUSTING MECHANISM TRIANGLE WASHER	-	1
2	273106	ADJUSTING MECHANISM SPRING WASHER	-	1
3	273107	ADJUSTING MECHANISM BEVEL WASHER (LARGE)	-	1
4	278101	ADJUSTING MECHANISM BEVEL WASHER (SMALL)	-	3
5	281103	ADJUSTING MECHANISM CIRCLIP (SMALL)	-	1
6	281104	ADJUSTING MECHANISM CIRCLIP (LARGE)	-	1

**212112** >> CALIPER SHAFT HOUSING SET



PART NO	GW NO	CONTENTS	DIMENSION	QTY.
1	212113	CALIPER SHAFT HOUSING	-	1
2	172102	CALIPER SHAFT HOUSING SPRING	-	2

**261120** >> CALIPER CALIBRATION BOLT (with PIN)



**207118** >> CALIPER LEVER



**208101** >> CALIPER NEEDLE BEARING SET



**205507** >> CALIPER PRESSURE PLATE -L (with GROOVE)



**205407** >> CALIPER PRESSURE PLATE -R (with GROOVE)



**252135** > CALIPER GUIDE PIN REPAIR KIT


PART NO	GW NO	CONTENTS	DIMENSION	QTY.
1	252132	CALIPER GUIDE PIN	Ø 30 x 88 mm	1
2	252133	CALIPER GUIDE PIN	Ø 29.70 x 75 mm	1
3	252121	CALIPER GUIDE PIN BOLT	M16 x 1.5 x 80 mm	2
4	252102	CALIPER GUIDE PIN BOOT	-	2
5	252103	CALIPER MECHANISM BOOT	-	1
6	253101	CALIPER GUIDE PIN BUSHING	Ø 34 x 30 x 20 mm	3
7	254101	CALIPER GUIDE PIN CAP	Ø 34 x 17 mm	2
8	254107	CALIPER HEAD CAP	-	1

640 307 928 2

**252138** > CALIPER GUIDE PIN BOOT & BUSHING KIT


PART NO	GW NO	CONTENTS	DIMENSION	QTY.
1	252121	CALIPER GUIDE PIN BOLT	M16 x 1.5 x 80 mm	2
2	252102	CALIPER GUIDE PIN BOOT	-	2
3	252103	CALIPER MECHANISM BOOT	-	1
4	253101	CALIPER GUIDE PIN BUSHING	Ø 34 x 30 x 20 mm	3
5	254101	CALIPER GUIDE PIN CAP	Ø 34 x 17 mm	2

640 307 922 2

**252139** > CALIPER GUIDE PIN BOOT & BUSHING KIT


PART NO	GW NO	CONTENTS	DIMENSION	QTY.
1	252102	CALIPER GUIDE PIN BOOT	-	2
2	252103	CALIPER MECHANISM BOOT	-	1
3	253101	CALIPER GUIDE PIN BUSHING	Ø 34 x 30 x 20 mm	3
4	254101	CALIPER GUIDE PIN CAP	Ø 34 x 17 mm	2
5	254107	CALIPER HEAD CAP	-	1

12 999 678V1

**250102 > CALIPER BOOT SET**



PART NO	GW NO	CONTENTS	DIMENSION	QTY.
1	262002	CALIPER GUIDE PIN BOOT	-	2
2	262003	CALIPER MECHANISM BOOT	-	1

**250106 > CALIPER BOOT& SEAL SET**



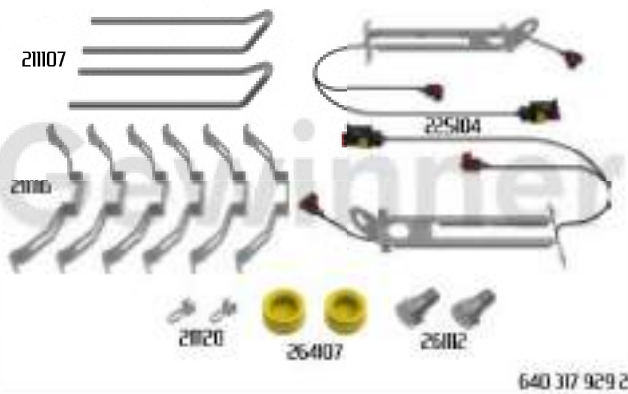
PART NO	GW NO	CONTENTS	DIMENSION	QTY.
1	262003	CALIPER MECHANISM BOOT	-	1
2	264007	CALIPER HEAD CAP	-	1
3	270101	CALIPER HEAD SEAL	-	1

**256108 > CALIPER HEAD GASKET AND SEAL SET**



PART NO	GW NO	CONTENTS	DIMENSION	QTY.
1	27101	CALIPER COVER GASKET	-	1
2	264107	CALIPER HEAD CAP	-	1
3	270101	CALIPER HEAD SEAL	-	1

211119 > CALIPER BRAKE PAD RETAINER KIT

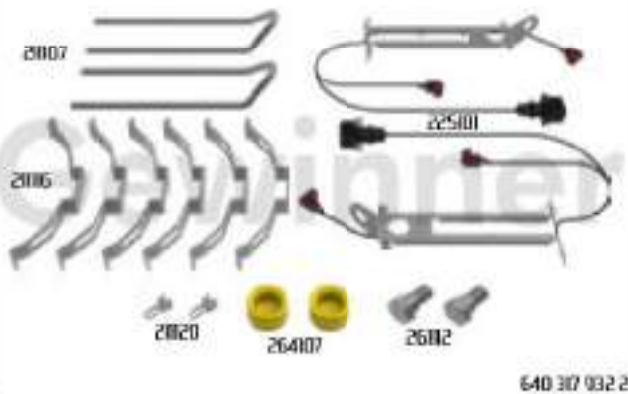


640 317 929 2

225104 > BRAKE PAD WEAR SENSOR WIRE



211121 > CALIPER BRAKE PAD RETAINER KIT

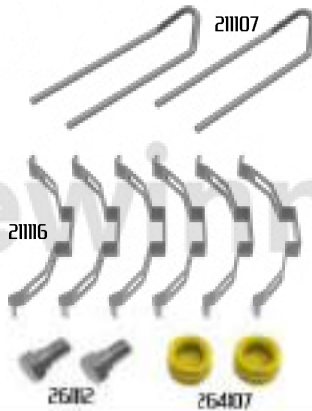


640 317 932 2

225101 > BRAKE PAD WEAR SENSOR WIRE



211103 > CALIPER BRAKE PAD RETAINER KIT



211102 > CALIPER BRAKE PAD RETAINER KIT



220101 > CALIPER BRAKE PAD WEAR SENSOR (110 cm)



640 317 920 2

220102 > CALIPER BRAKE PAD WEAR SENSOR (130 cm)



640 317 921 2



BRAKE  
CALIPER  
REPAIR KITS

*for*  
**WABCO**  
**MAXX19**

**201415 > CALIPER COMPLETE REPAIR SET -R**



PART NO	GW NO	CONTENTS	DIMENSION	QTY.
1	201128	CALIPER ADJUSTING MECHANISM SET (with PIN)	-	1
2	205408	CALIPER PRESSURE PLATE -R (with GROOVE)	-	1
3	207111	CALIPER LEVER SET	-	1
4	208108	CALIPER NEEDLE BEARING SET	-	1
5	210117	CALIPER SHEET METAL COVER SET	-	1
6	252127	CALIPER GUIDE PIN REPAIR KIT	-	1
7	255111	CALIPER ADJUSTING MECHANISM RESET KIT	-	1

**201515 > CALIPER COMPLETE REPAIR SET -L**



PART NO	GW NO	CONTENTS	DIMENSION	QTY.
1	201128	CALIPER ADJUSTING MECHANISM SET (with PIN)	-	1
2	205508	CALIPER PRESSURE PLATE -L (with GROOVE)	-	1
3	207111	CALIPER LEVER SET	-	1
4	208108	CALIPER NEEDLE BEARING SET	-	1
5	210117	CALIPER SHEET METAL COVER SET	-	1
6	252127	CALIPER GUIDE PIN REPAIR KIT	-	1
7	255111	CALIPER ADJUSTING MECHANISM RESET KIT	-	1

**201129** > CALIPER REPAIR SET (with PIN)

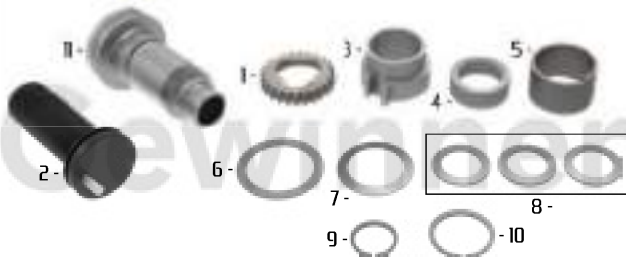


**201128** > CALIPER ADJUSTING MECHANISM SET (with PIN)



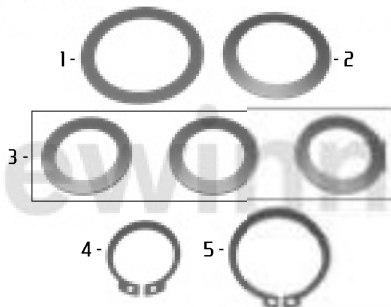
PART NO	GW NO	CONTENTS	DIMENSION	QTY.
1	20033	CALIPER ADJUSTING MECHANISM (with PIN)	-	1
2	12002	CALIPER SHAFT HOUSING MECHANISM	-	2

**202119** > CALIPER ADJUSTING MECHANISM REPAIR KIT (with PIN)



PART NO	GW NO	CONTENTS	DIMENSION	QTY.
1	20302	ADJUSTING MECHANISM TRIANGLE GEAR	-	1
2	26204	CALIPER CALIBRATION BOLT (with PIN)	-	1
3	26203	ADJUSTING MECHANISM TORSION SPRING RING	-	1
4	26204	ADJUSTING MECHANISM TORSION SPRING RING	-	1
5	27205	ADJUSTING MECHANISM TORSION SPRING	-	1
6	27306	ADJUSTING MECHANISM SPRING WASHER	-	1
7	27307	ADJUSTING MECHANISM BEVEL WASHER (LARGE)	-	1
8	27801	ADJUSTING MECHANISM BEVEL WASHER (SMALL)	-	3
9	28103	ADJUSTING MECHANISM CIRCLIP (SMALL)	-	1
10	28104	ADJUSTING MECHANISM CIRCLIP (LARGE)	-	1
11	28203	ADJUSTING MECHANISM SLOT	-	1

**253104** > CALIPER ADJUSTING MECHANISM REPAIR KIT



PART NO	GW NO	CONTENTS	DIMENSION	QTY.
1	27306	ADJUSTING MECHANISM SPRING WASHER	-	1
2	27307	ADJUSTING MECHANISM BEVEL WASHER (LARGE)	-	1
3	27801	ADJUSTING MECHANISM BEVEL WASHER (SMALL)	-	3
4	28103	ADJUSTING MECHANISM CIRCLIP (SMALL)	-	1
5	28104	ADJUSTING MECHANISM CIRCLIP (LARGE)	-	1

**255111** > CALIPER ADJUSTING MECHANISM RESET KIT



PART NO	GW NO	CONTENTS	DIMENSION	QTY.
1	20305	CALIPER MANUAL ADJUSTER GEAR	-	1
2	26205	CALIPER MANUAL ADJUSTER SHAFT	-	1
3	26206	CALIPER HEAD CAP BOLT	-	1
4	26400	CALIPER HEAD CAP	-	1
5	27080	CALIPER HEAD SEAL	-	1

640 307 926 2

**212107** > CALIPER SHAFT HOUSING SET



**261114** > CALIPER CALIBRATION BOLT (with PIN)



**207111** > CALIPER LEVER SET



**207112** > CALIPER LEVER



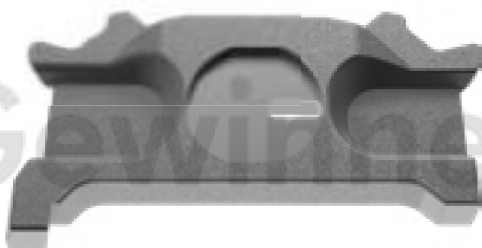
**208110** > CALIPER BEARING SET



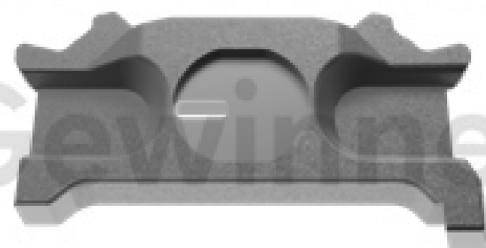
**208108** > CALIPER BEARING SET



**205508** > CALIPER PRESSURE PLATE -L (with GROOVE)

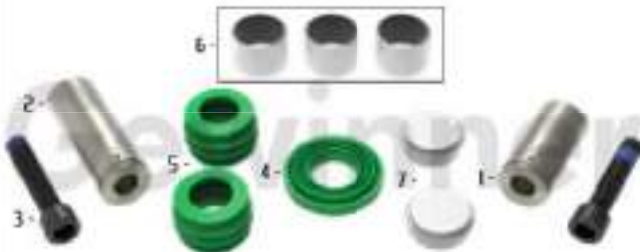


**205408** > CALIPER PRESSURE PLATE -R (with GROOVE)



**252133 >** CALIPER GUIDE PIN REPAIR KIT


PART NO	GW NO	CONTENTS	DIMENSION	QTY.
1	260108	CALIPER GUIDE PIN	Ø 37,7 x 76 mm	1
2	260110	CALIPER GUIDE PIN	Ø 38 x 104 mm	1
3	26021	CALIPER GUIDE PIN BOLT	M16 x 1,5 x 80 mm	2
4	262106	CALIPER HEAD CAP BOLT	-	1
5	262103	CALIPER MECHANISM BOOT	-	1
6	262102	CALIPER GUIDE PIN BOOT	-	2
7	261002	CALIPER GUIDE PIN BUSHING	Ø 42 x 38 x 30 mm	3
8	264102	CALIPER GUIDE PIN CAP	Ø 42 x 17 mm	2
9	264100	CALIPER HEAD CAP	-	1

**252127 >** CALIPER GUIDE PIN REPAIR KIT


PART NO	GW NO	CONTENTS	DIMENSION	QTY.
1	260108	CALIPER GUIDE PIN	Ø 37,7 x 76 mm	1
2	260110	CALIPER GUIDE PIN	Ø 38 x 104 mm	1
3	26021	CALIPER GUIDE PIN BOLT	M16 x 1,5 x 80 mm	2
4	262103	CALIPER MECHANISM BOOT	-	1
5	262102	CALIPER GUIDE PIN BOOT	-	2
6	261002	CALIPER GUIDE PIN BUSHING	Ø 42 x 38 x 30 mm	3
7	264102	CALIPER GUIDE PIN CAP	Ø 42 x 17 mm	2

**252140 >** CALIPER BOOT SET


PART NO	GW NO	CONTENTS	DIMENSION	QTY.
1	26021	CALIPER GUIDE PIN BOLT	M16 x 1,5 x 80 mm	2
2	262103	CALIPER MECHANISM BOOT	-	1
3	262102	CALIPER GUIDE PIN BOOT	-	2
4	261002	CALIPER GUIDE PIN BUSHING	Ø 42 x 38 x 30 mm	3
5	264102	CALIPER GUIDE PIN CAP	Ø 42 x 17 mm	2

640 319 922 2

**252141 > CALIPER BOOT & BUSHING SET**



PART NO.	GW NO.	CONTENTS	DIMENSION	QTY.
1	26116	CALIPER HEAD CAP BOLT	-	1
2	26203	CALIPER MECHANISM BOOT	-	1
3	26292	CALIPER GUIDE PIN BOOT	-	2
4	26302	CALIPER GUIDE PIN BUSHING	∅ 42 x 38 x 30 mm	3
5	26402	CALIPER GUIDE PIN CAP	∅ 42 x 17 mm	2
6	26411	CALIPER HEAD CAP	-	1

**250120 > CALIPER BOOT & CAP SET**



PART NO.	GW NO.	CONTENTS	DIMENSION	QTY.
1	26116	CALIPER HEAD CAP BOLT	-	1
2	262103	CALIPER MECHANISM BOOT	-	1
3	264110	CALIPER HEAD CAP	-	1

**250114 > CALIPER BOOT SET**



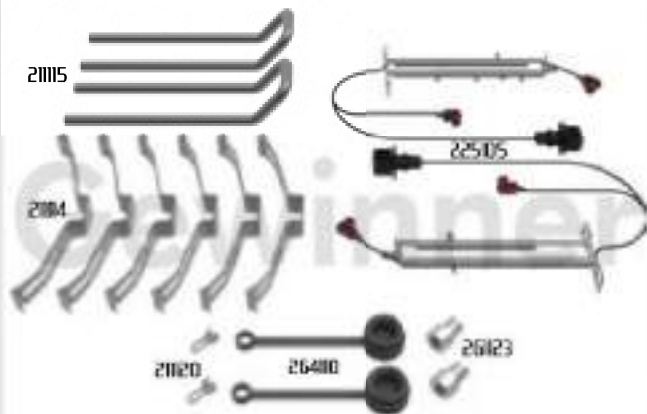
PART NO.	GW NO.	CONTENTS	DIMENSION	QTY.
1	26203	CALIPER MECHANISM BOOT	-	1
2	26292	CALIPER GUIDE PIN BOOT	-	2

**210117 > CALIPER SHEET METAL COVER SET**



PART NO.	GW NO.	CONTENTS	DIMENSION	QTY.
1	26006	CALIPER SHEET METAL COVER	-	1
2	26122	CALIPER SHEET METAL COVER BOLT	M8 x 1.25 x 16 mm	6
3	27009	CALIPER SHEET METAL COVER SEAL	-	1

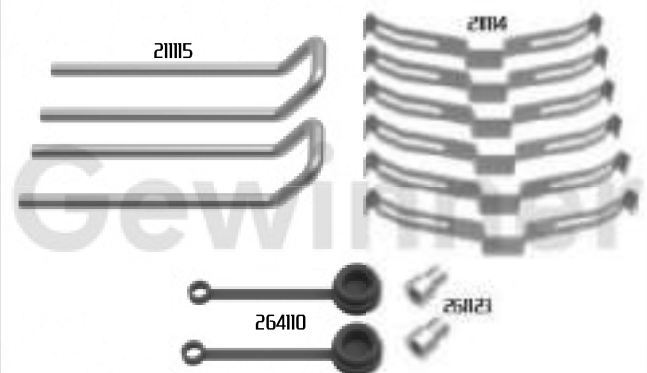
**211131** > CALIPER BRAKE PAD RETAINER KIT



**225105** > BRAKE PAD WEAR SENSOR WIRE



**211118** > CALIPER BRAKE PAD RETAINER KIT



**270108** > CALIPER SHEET METAL COVER SEAL SET



PART NO	EWV NO	CONTENTS	DIMENSION	QTY.
1	270108	CALIPER SHEET METAL COVER SEAL	-	5

**220105** > CALIPER BRAKE PAD WEAR SENSOR (110 cm)



640 319 920 2

**220106** > CALIPER BRAKE PAD WEAR SENSOR (130 cm)



640 319 921 2

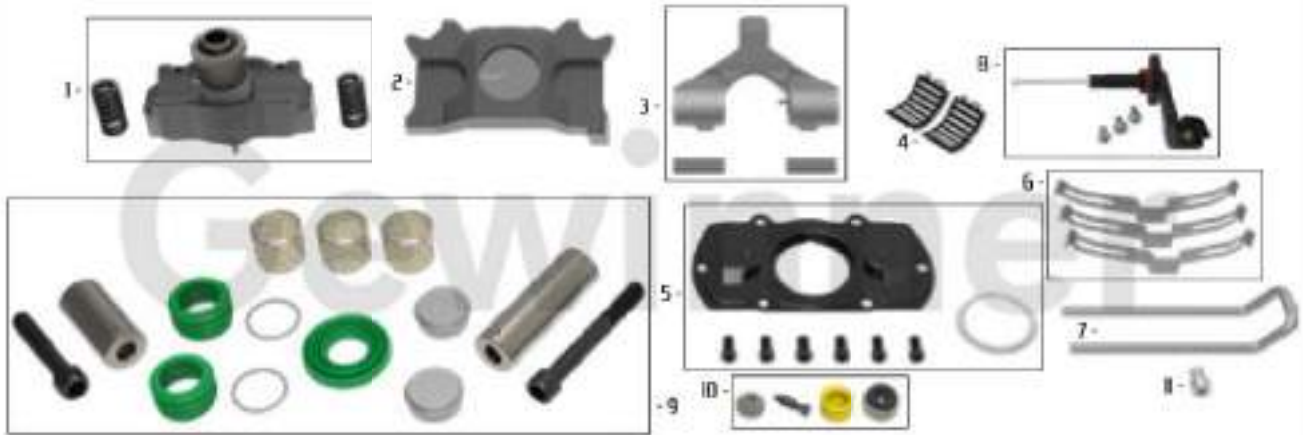


BRAKE  
CALIPER  
REPAIR KITS

*for*  
**WABCO**  
**MAXX22**

**201426 > CALIPER COMPLETE REPAIR SET -R**

MAN TGA / TGS



PART NO	GW NO	CONTENTS	DIMENSION	QTY.	COMPATIBLE BRAKE CALIPER
1	201108	CALIPER ADJUSTING MECHANISM SET (with PIN)	-	1	RIGHT HAND
2	205405	CALIPER PRESSURE PLATE -R (with GROOVE)	-	1	295411
3	207109	CALIPER LEVER SET	-	1	
4	208108	CALIPER NEEDLE BEARING SET	-	1	
5	210102	CALIPER SHEET METAL COVER SET	-	1	
6	211114	CALIPER BRAKE PAD SPRING	-	3	
7	211115	CALIPER BRAKE PAD HOLDER	-	1	
8	220103	CALIPER BRAKE PAD WEAR SENSOR	-	1	
9	252144	CALIPER GUIDE PIN & BOOT SET	-	1	
10	255109	CALIPER HEAD GASKET AND SEAL SET	-	1	
11	261123	CALIPER BRAKE PAD HOLDER BOLT	-	1	

**201526 > CALIPER COMPLETE REPAIR SET -L**

MAN TGA / TGS



PART NO	GW NO	CONTENTS	DIMENSION	QTY.	COMPATIBLE BRAKE CALIPER
1	201108	CALIPER ADJUSTING MECHANISM SET (with PIN)	-	1	LEFT HAND
2	205505	CALIPER PRESSURE PLATE -L (with GROOVE)	-	1	295511
3	207109	CALIPER LEVER SET	-	1	
4	208108	CALIPER NEEDLE BEARING SET	-	1	
5	210102	CALIPER SHEET METAL COVER SET	-	1	
6	211114	CALIPER BRAKE PAD SPRING	-	3	
7	211115	CALIPER BRAKE PAD HOLDER	-	1	
8	220103	CALIPER BRAKE PAD WEAR SENSOR	-	1	
9	252144	CALIPER GUIDE PIN & BOOT SET	-	1	
10	255109	CALIPER HEAD GASKET AND SEAL SET	-	1	
11	261123	CALIPER BRAKE PAD HOLDER BOLT	-	1	

**201407 >** CALIPER COMPLETE REPAIR SET -R



PART NO	GW NO	CONTENTS	DIMENSION	QTY.
1	201108	CALIPER ADJUSTING MECHANISM SET (with PIN)	-	1
2	205405	CALIPER PRESSURE PLATE -R (with GROOVE)	-	1
3	207109	CALIPER LEVER SET	-	1
4	208108	CALIPER NEEDLE BEARING SET	-	1
5	210102	CALIPER SHEET METAL COVER SET	-	1
6	252144	CALIPER GUIDE PIN REPAIR KIT	-	1
7	255109	CALIPER ADJUSTING MECHANISM RESET KIT	-	1

**201507 >** CALIPER COMPLETE REPAIR SET -L



PART NO	GW NO	CONTENTS	DIMENSION	QTY.
1	201108	CALIPER ADJUSTING MECHANISM SET (with PIN)	-	1
2	205505	CALIPER PRESSURE PLATE -L (with GROOVE)	-	1
3	207109	CALIPER LEVER SET	-	1
4	208108	CALIPER NEEDLE BEARING SET	-	1
5	210102	CALIPER SHEET METAL COVER SET	-	1
6	252144	CALIPER GUIDE PIN REPAIR KIT	-	1
7	255109	CALIPER ADJUSTING MECHANISM RESET KIT	-	1

**201135** > CALIPER REPAIR SET (with PIN)



**201108** > CALIPER REPAIR SET (with PIN)

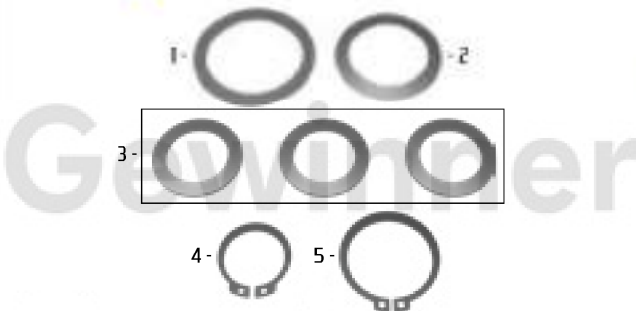


**202106** > CALIPER ADJUSTING MECHANISM REPAIR KIT (with PIN)



PART NO.	GW NO.	CONTENTS	DIMENSION	QTY.
1	20302	ADJUSTING MECHANISM TRIANGLE GEAR	-	1
2	21109	ADJUSTING MECHANISM PROTECTION RING	-	1
3	26104	CALIPER CALIBRATION BOLT (with PIN)	-	1
4	26200	ADJUSTING MECHANISM PROTECTION SEAL	-	1
5	26703	ADJUSTING MECHANISM TORSION SPRING RING	-	1
6	26704	ADJUSTING MECHANISM TORSION SPRING RING	-	1
7	27205	ADJUSTING MECHANISM TORSION SPRING	-	1
8	27306	ADJUSTING MECHANISM SPRING WASHER	-	1
9	27307	ADJUSTING MECHANISM BEVEL WASHER (LARGE)	-	1
10	27801	ADJUSTING MECHANISM BEVEL WASHER (SMALL)	-	3
11	28103	ADJUSTING MECHANISM CIRCLIP (SMALL)	-	1
12	28104	ADJUSTING MECHANISM CIRCLIP (LARGE)	-	1
13	28201	ADJUSTING MECHANISM SLOT	-	1

**253104** > CALIPER ADJUSTING MECHANISM REPAIR KIT



PART NO.	GW NO.	CONTENTS	DIMENSION	QTY.
1	27306	ADJUSTING MECHANISM SPRING WASHER	-	1
2	27307	ADJUSTING MECHANISM BEVEL WASHER (LARGE)	-	1
3	27801	ADJUSTING MECHANISM BEVEL WASHER (SMALL)	-	3
4	28103	ADJUSTING MECHANISM CIRCLIP (SMALL)	-	1
5	28104	ADJUSTING MECHANISM CIRCLIP (LARGE)	-	1

**255109** > CALIPER ADJUSTING MECHANISM RESET KIT



PART NO.	GW NO.	CONTENTS	DIMENSION	QTY.
1	28305	CALIPER MANUAL ADJUSTER GEAR	-	1
2	26105	CALIPER MANUAL ADJUSTER SHAFT	-	1
3	25407	CALIPER HEAD CAP	-	1
4	27010	CALIPER HEAD SEAL	-	1

640 322 927 2

**212105** >> CALIPER SHAFT HOUSING SET



**261114** >> CALIPER CALIBRATION BOLT (with PIN)



**207109** >> CALIPER LEVER SET



**207113** >> CALIPER LEVER



**208110** >> CALIPER BEARING SET



**208108** >> CALIPER BEARING SET



**205505** >> CALIPER PRESSURE PLATE -L (with GROOVE)



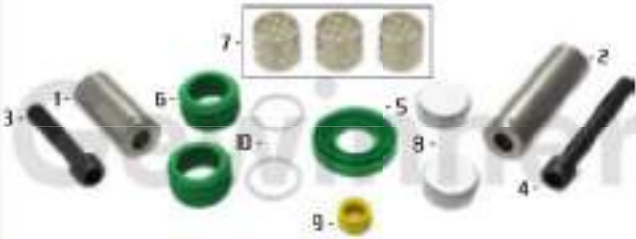
**205405** >> CALIPER PRESSURE PLATE -R (with GROOVE)



640 322 931 2 -L

640 322 931 2 -R

**252115** > CALIPER GUIDE PIN REPAIR KIT



PART NO.	GW NO.	CONTENTS	DIMENSION	QTY.
1	261001	CALIPER GUIDE PIN	Ø 37,7 x 76 mm	1
2	261004	CALIPER GUIDE PIN	Ø 38 x 118 mm	1
3	261005	CALIPER GUIDE PIN BOLT	M16 x 1,5 x 80 mm	1
4	261007	CALIPER GUIDE PIN BOLT	M16 x 1,5 x 120 mm	1
5	262003	CALIPER MECHANISM BOOT	-	1
6	262004	CALIPER GUIDE PIN BOOT	-	2
7	263006	CALIPER GUIDE PIN BUSHING	Ø 42 x 38 x 35	3
8	264002	CALIPER GUIDE PIN CAP	Ø 42 x 17 mm	2
9	264007	CALIPER HEAD CAP	-	1
10	273001	CALIPER GUIDE PIN BOOT RING	-	2

640 322 926 2

**252144** > CALIPER GUIDE PIN REPAIR KIT



PART NO.	GW NO.	CONTENTS	DIMENSION	QTY.
1	261001	CALIPER GUIDE PIN	Ø 37,7 x 76 mm	1
2	261004	CALIPER GUIDE PIN	Ø 38 x 118 mm	1
3	261005	CALIPER GUIDE PIN BOLT	M16 x 1,5 x 80 mm	1
4	261007	CALIPER GUIDE PIN BOLT	M16 x 1,5 x 120 mm	1
5	262003	CALIPER MECHANISM BOOT	-	1
6	262004	CALIPER GUIDE PIN BOOT	-	2
7	263006	CALIPER GUIDE PIN BUSHING	Ø 42 x 38 x 35	3
8	264002	CALIPER GUIDE PIN CAP	Ø 42 x 17 mm	2
9	273001	CALIPER GUIDE PIN BOOT RING	-	2

**252121** > CALIPER BOOT SET



PART NO.	GW NO.	CONTENTS	DIMENSION	QTY.
1	262003	CALIPER MECHANISM BOOT	-	1
2	262004	CALIPER GUIDE PIN BOOT	-	2
3	263006	CALIPER GUIDE PIN BUSHING	Ø 42 x 38 x 35	3
4	264002	CALIPER GUIDE PIN CAP	Ø 42 x 17 mm	2
5	264007	CALIPER HEAD CAP	-	1
6	273001	CALIPER GUIDE PIN BOOT RING	-	2

**250103** > CALIPER BOOT SET



**250108** > CALIPER BOOT SET



640 322 942 2

**210102** > CALIPER SHEET METAL COVER SET



PART NO	GW NO	CONTENTS	DIMENSION	QTY.
1	210108	CALIPER SHEET METAL COVER	-	1
2	26122	CALIPER SHEET METAL COVER BOLT	M8 x 1,25 x 16 mm	6
3	270107	CALIPER SHEET METAL COVER SEAL	-	1

**256105** > ADJUSTING MECHANISM PROTECTION RING SET



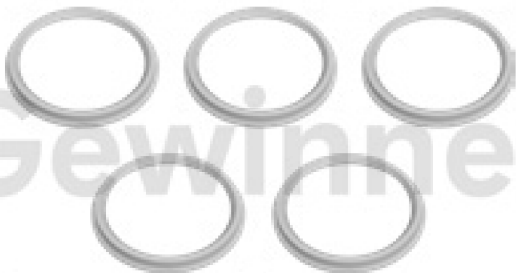
PART NO	GW NO	CONTENTS	DIMENSION	QTY.
1	21109	ADJUSTING MECHANISM PROTECTION RING	-	5

**256106** > ADJUSTING MECHANISM PROTECTION SEAL SET



PART NO	GW NO	CONTENTS	DIMENSION	QTY.
1	26200	ADJUSTING MECHANISM PROTECTION SEAL	-	5

**256107** > CALIPER SHEET METAL COVER SEAL SET



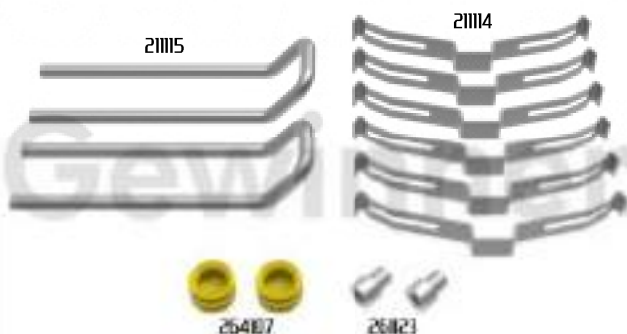
PART NO	GW NO	CONTENTS	DIMENSION	QTY.
1	270107	CALIPER SHEET METAL COVER SEAL	-	5

**253103** > CALIPER SEAL SET



PART NO	GW NO	CONTENTS	DIMENSION	QTY.
1	21109	ADJUSTING MECHANISM PROTECTION RING	-	1
2	26210	ADJUSTING MECHANISM PROTECTION SEAL	-	1

**211138** > CALIPER BRAKE PAD RETAINER KIT



**220103** > CALIPER BRAKE PAD WEAR SENSOR



640 322 929 2



BRAKE  
CALIPER  
REPAIR KITS

*for*  
**WABCO**  
**MAXX22L**  
**MAXXUS**

MAXX22L & MAXXUS

**201601 > CALIPER COMPLETE REPAIR SET -R**

MERCEDES-BENZ ARDUS FRONT



MAXX22L

PART NO	GW NO	CONTENTS	DIMENSION	QTY	COMPATIBLE BRAKE CALIPER
1	20123	CALIPER ADJUSTING MECHANISM SET (with PIN)	-	1	RIGHT HAND
2	205406	CALIPER PRESSURE PLATE -R (with GROOVE)	-	1	295413
3	207115	CALIPER LEVER SET -FRONT	-	1	
4	208108	CALIPER NEEDLE BEARING SET	-	1	
5	210107	CALIPER SHEET METAL COVER SET	-	1	
6	21114	CALIPER BRAKE PAD SPRING	-	3	
7	21115	CALIPER BRAKE PAD HOLDER	-	1	
8	220104	CALIPER BRAKE PAD WEAR SENSOR	-	1	
9	252145	CALIPER GUIDE PIN & BOOT SET	-	1	
10	255112	CALIPER HEAD GASKET AND SEAL SET	-	1	
11	261123	CALIPER BRAKE PAD HOLDER BOLT	-	1	

**201701 > CALIPER COMPLETE REPAIR SET -L**

MERCEDES-BENZ ARDUS FRONT



MAXX22L

PART NO	GW NO	CONTENTS	DIMENSION	QTY	COMPATIBLE BRAKE CALIPER
1	20123	CALIPER ADJUSTING MECHANISM SET (with PIN)	-	1	LEFT HAND
2	205506	CALIPER PRESSURE PLATE -L (with GROOVE)	-	1	295503
3	207115	CALIPER LEVER SET -FRONT	-	1	
4	208108	CALIPER NEEDLE BEARING SET	-	1	
5	210107	CALIPER SHEET METAL COVER SET	-	1	
6	21114	CALIPER BRAKE PAD SPRING	-	3	
7	21115	CALIPER BRAKE PAD HOLDER	-	1	
8	220104	CALIPER BRAKE PAD WEAR SENSOR	-	1	
9	252145	CALIPER GUIDE PIN & BOOT SET	-	1	
10	255112	CALIPER HEAD GASKET AND SEAL SET	-	1	
11	261123	CALIPER BRAKE PAD HOLDER BOLT	-	1	

**201801** > CALIPER COMPLETE REPAIR SET -R

MERCEDES-BENZ ARDUS REAR



MAXX22L

PART NO	GW NO	CONTENTS	DIMENSION	QTY.	COMPATIBLE BRAKE CALIPER
1	201123	CALIPER ADJUSTING MECHANISM SET (with PIN)	-	1	RIGHT HAND
2	205406	CALIPER PRESSURE PLATE -R (with GROOVE)	-	1	295414
3	207117	CALIPER LEVER SET -REAR	-	1	
4	208108	CALIPER NEEDLE BEARING SET	-	1	
5	210107	CALIPER SHEET METAL COVER SET	-	1	
6	211114	CALIPER BRAKE PAD SPRING	-	3	
7	211115	CALIPER BRAKE PAD HOLDER	-	1	
8	220104	CALIPER BRAKE PAD WEAR SENSOR	-	1	
9	252145	CALIPER GUIDE PIN & BOOT SET	-	1	
10	255112	CALIPER HEAD GASKET AND SEAL SET	-	1	
11	261123	CALIPER BRAKE PAD HOLDER BOLT	-	1	

**201901** > CALIPER COMPLETE REPAIR SET -L

MERCEDES-BENZ ARDUS REAR



MAXX22L

PART NO	GW NO	CONTENTS	DIMENSION	QTY.	COMPATIBLE BRAKE CALIPER
1	201123	CALIPER ADJUSTING MECHANISM SET (with PIN)	-	1	LEFT HAND
2	205506	CALIPER PRESSURE PLATE -L (with GROOVE)	-	1	295504
3	207117	CALIPER LEVER SET -REAR	-	1	
4	208108	CALIPER NEEDLE BEARING SET	-	1	
5	210107	CALIPER SHEET METAL COVER SET	-	1	
6	211114	CALIPER BRAKE PAD SPRING	-	3	
7	211115	CALIPER BRAKE PAD HOLDER	-	1	
8	220104	CALIPER BRAKE PAD WEAR SENSOR	-	1	
9	252145	CALIPER GUIDE PIN & BOOT SET	-	1	
10	255112	CALIPER HEAD GASKET AND SEAL SET	-	1	
11	261123	CALIPER BRAKE PAD HOLDER BOLT	-	1	

**201413 > CALIPER COMPLETE REPAIR SET -R**

MERCEDES-BENZ ARDYS FRONT



**MAXX22L**

PART NO	GW NO	CONTENTS	DIMENSION	QTY.
1	201123	CALIPER ADJUSTING MECHANISM SET (with PIN)	-	1
2	205406	CALIPER PRESSURE PLATE -R (with GROOVE)	-	1
3	207115	CALIPER LEVER SET	-	1
4	208108	CALIPER NEEDLE BEARING SET	-	1
5	210107	CALIPER SHEET METAL COVER SET	-	1
6	252145	CALIPER GUIDE PIN REPAIR KIT	-	1
7	255112	CALIPER ADJUSTING MECHANISM RESET KIT	-	1

**201513 > CALIPER COMPLETE REPAIR SET -L**

MERCEDES-BENZ ARDYS FRONT

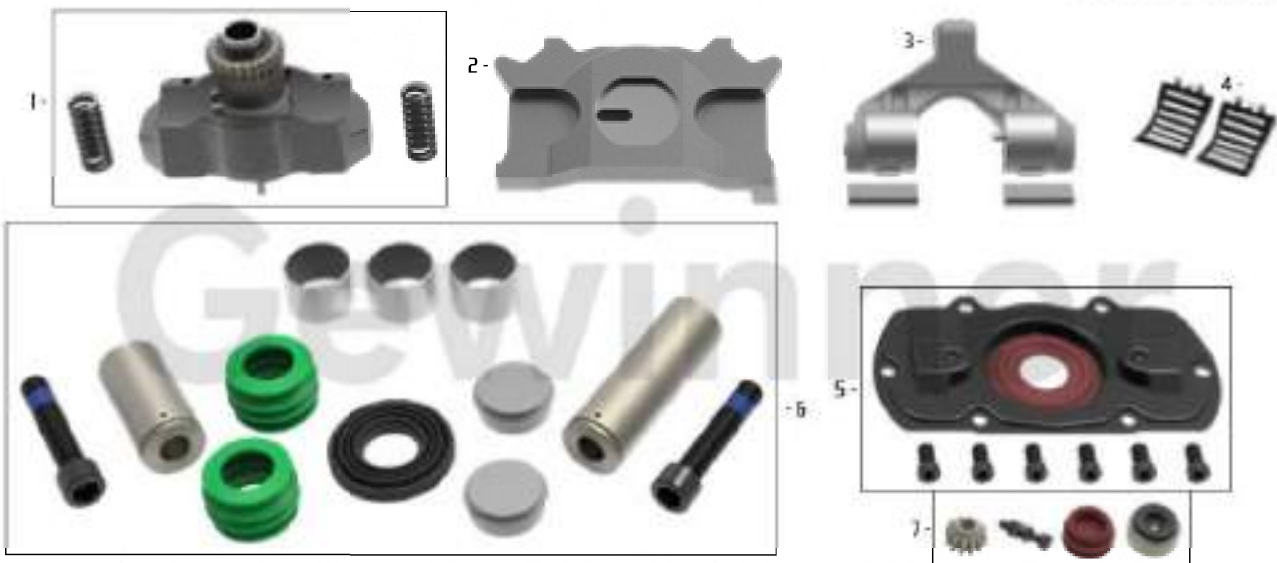


**MAXX22L**

PART NO	GW NO	CONTENTS	DIMENSION	QTY.
1	201123	CALIPER ADJUSTING MECHANISM SET (with PIN)	-	1
2	205506	CALIPER PRESSURE PLATE -L (with GROOVE)	-	1
3	207115	CALIPER LEVER SET	-	1
4	208108	CALIPER NEEDLE BEARING SET	-	1
5	210107	CALIPER SHEET METAL COVER SET	-	1
6	252145	CALIPER GUIDE PIN REPAIR KIT	-	1
7	255112	CALIPER ADJUSTING MECHANISM RESET KIT	-	1

**201412** > CALIPER COMPLETE REPAIR SET -R

MERCEDES-BENZ ARDUS REAR



MAXX22L

PART NO	GW NO	CONTENTS	DIMENSION	QTY.
1	201123	CALIPER ADJUSTING MECHANISM SET (with PIN)	-	1
2	205406	CALIPER PRESSURE PLATE -R (with GROOVE)	-	1
3	207117	CALIPER LEVER SET	-	1
4	208108	CALIPER NEEDLE BEARING SET	-	1
5	210107	CALIPER SHEET METAL COVER SET	-	1
6	252145	CALIPER GUIDE PIN REPAIR KIT	-	1
7	255112	CALIPER ADJUSTING MECHANISM RESET KIT	-	1

**201512** > CALIPER COMPLETE REPAIR SET -L

MERCEDES-BENZ ARDUS REAR

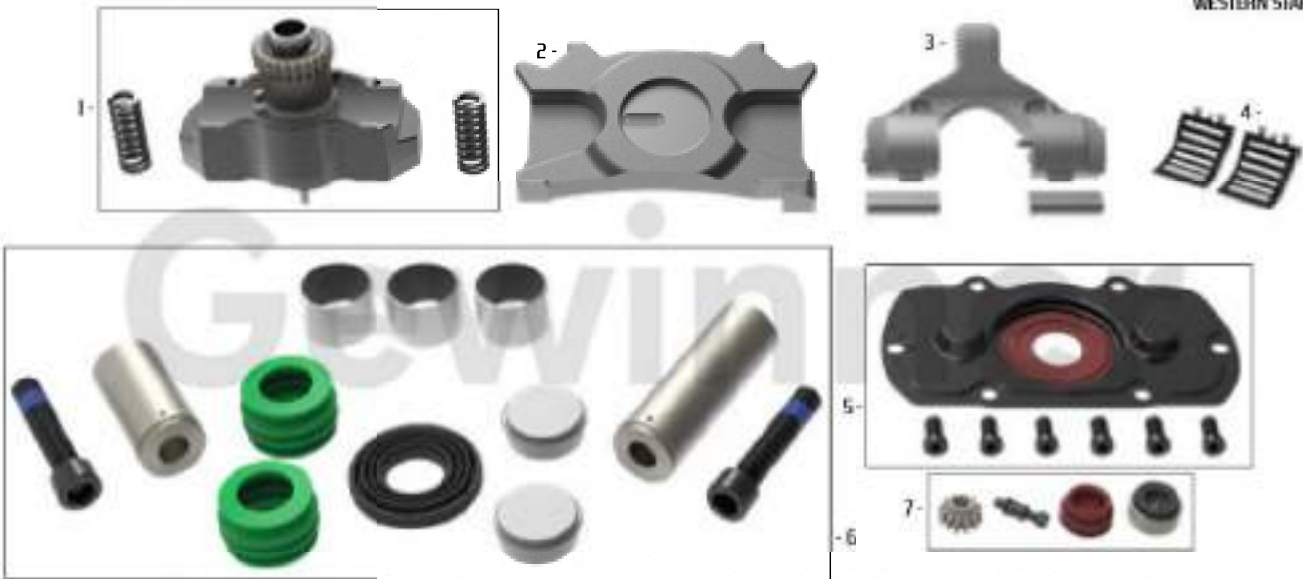


MAXX22L

PART NO	GW NO	CONTENTS	DIMENSION	QTY.
1	201123	CALIPER ADJUSTING MECHANISM SET (with PIN)	-	1
2	205506	CALIPER PRESSURE PLATE -L (with GROOVE)	-	1
3	207117	CALIPER LEVER SET	-	1
4	208108	CALIPER NEEDLE BEARING SET	-	1
5	210107	CALIPER SHEET METAL COVER SET	-	1
6	252145	CALIPER GUIDE PIN REPAIR KIT	-	1
7	255112	CALIPER ADJUSTING MECHANISM RESET KIT	-	1

**201416 > CALIPER COMPLETE REPAIR SET -R**

FREIGHTLINER  
WESTERN STAR

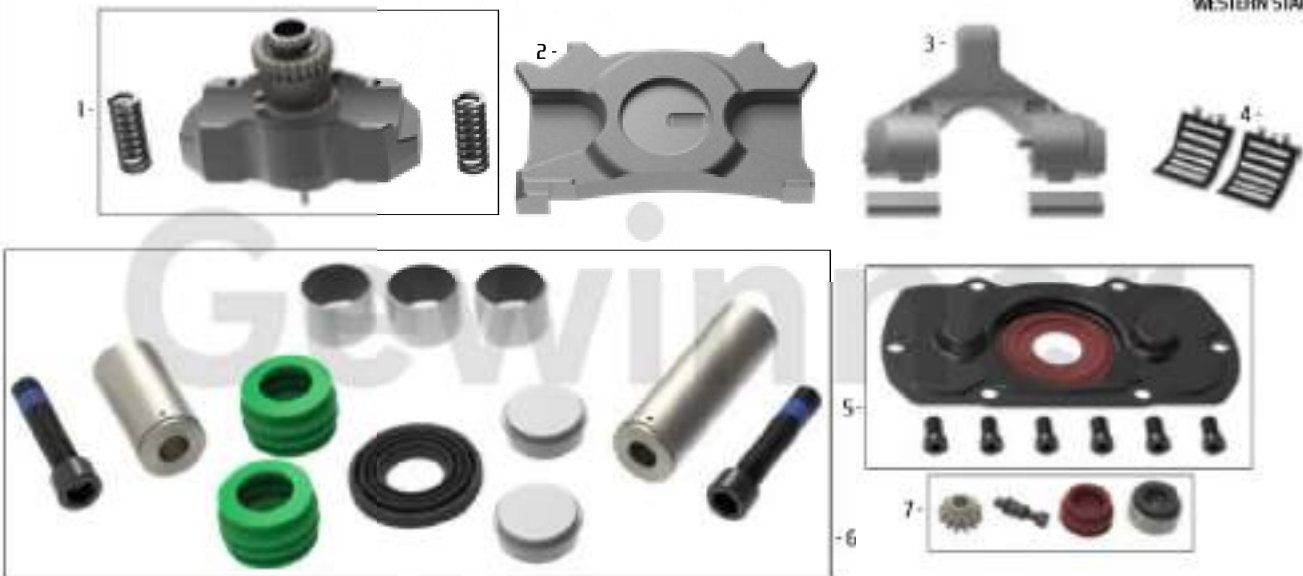


**MAXXUS**

PART NO	GW NO	CONTENTS	DIMENSION	QTY.
1	201123	CALIPER ADJUSTING MECHANISM SET (with PIN)	-	1
2	205409	CALIPER PRESSURE PLATE -R (with GROOVE)	-	1
3	207115	CALIPER LEVER SET	-	1
4	208108	CALIPER NEEDLE BEARING SET	-	1
5	210115	CALIPER SHEET METAL COVER SET	-	1
6	252145	CALIPER GUIDE PIN REPAIR KIT	-	1
7	255112	CALIPER ADJUSTING MECHANISM RESET KIT	-	1

**201516 > CALIPER COMPLETE REPAIR SET -L**

FREIGHTLINER  
WESTERN STAR



**MAXXUS**

PART NO	GW NO	CONTENTS	DIMENSION	QTY.
1	201123	CALIPER ADJUSTING MECHANISM SET (with PIN)	-	1
2	205509	CALIPER PRESSURE PLATE -L (with GROOVE)	-	1
3	207115	CALIPER LEVER SET	-	1
4	208108	CALIPER NEEDLE BEARING SET	-	1
5	210115	CALIPER SHEET METAL COVER SET	-	1
6	252145	CALIPER GUIDE PIN REPAIR KIT	-	1
7	255112	CALIPER ADJUSTING MECHANISM RESET KIT	-	1

**201136** > CALIPER REPAIR SET (with PIN)



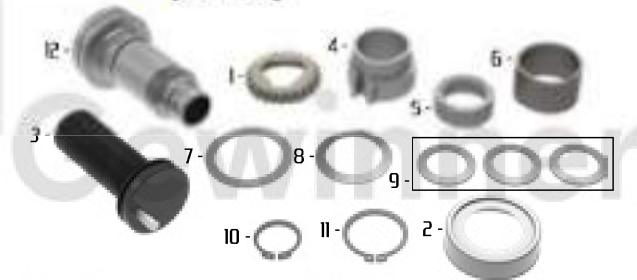
MAXX22L / MAXXUS

**201123** > CALIPER REPAIR SET (with PIN)



MAXX22L / MAXXUS

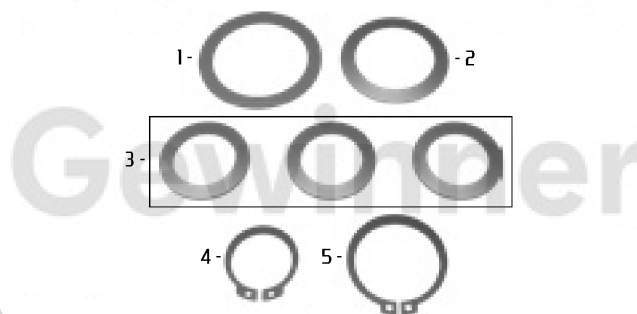
**202116** > CALIPER ADJUSTING MECHANISM REPAIR KIT (with PIN)



MAXX22L / MAXXUS

PART NO	GW NO	CONTENTS	DIMENSION	QTY.
1	201102	ADJUSTING MECHANISM TRIANGLE GEAR	-	1
2	21009	ADJUSTING MECHANISM PROTECTION RING	-	1
3	26104	CALIPER CALIBRATION BOLT (with PIN)	-	1
4	267103	ADJUSTING MECHANISM TORSION SPRING RING	-	1
5	267104	ADJUSTING MECHANISM TORSION SPRING RING	-	1
6	272105	ADJUSTING MECHANISM TORSION SPRING	-	1
7	273106	ADJUSTING MECHANISM SPRING WASHER	-	1
8	273107	ADJUSTING MECHANISM BEVEL WASHER (LARGE)	-	1
9	278101	ADJUSTING MECHANISM BEVEL WASHER (SMALL)	-	3
10	281103	ADJUSTING MECHANISM CIRCLIP (SMALL)	-	1
11	281104	ADJUSTING MECHANISM CIRCLIP (LARGE)	-	1
12	282103	ADJUSTING MECHANISM SLOT	-	1

**253104** > CALIPER ADJUSTING MECHANISM REPAIR KIT



MAXX22L / MAXXUS

PART NO	GW NO	CONTENTS	DIMENSION	QTY.
1	273106	ADJUSTING MECHANISM SPRING WASHER	-	1
2	273107	ADJUSTING MECHANISM BEVEL WASHER (LARGE)	-	1
3	278101	ADJUSTING MECHANISM BEVEL WASHER (SMALL)	-	3
4	281103	ADJUSTING MECHANISM CIRCLIP (SMALL)	-	1
5	281104	ADJUSTING MECHANISM CIRCLIP (LARGE)	-	1

**255112** > CALIPER ADJUSTING MECHANISM RESET KIT



MAXX22L / MAXXUS

PART NO	GW NO	CONTENTS	DIMENSION	QTY.
1	201105	CALIPER MANUAL ADJUSTER GEAR	-	1
2	261105	CALIPER MANUAL ADJUSTER SHAFT	-	1
3	264109	CALIPER HEAD CAP	-	1
4	270110	CALIPER HEAD SEAL	-	1

640 322 940 2

**212110** > CALIPER SHAFT HOUSING SET



MAXX22L / MAXXUS

**261114** > CALIPER CALIBRATION BOLT (with PIN)



MAXX22L / MAXXUS

**207115** > CALIPER LEVER SET

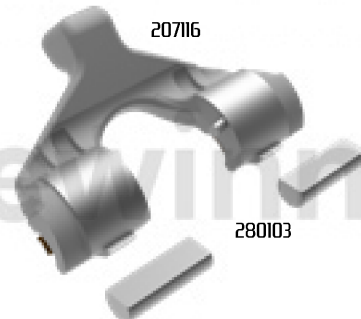
MERCEDES-BENZ AROCS FRONT  
FREIGHTLINER  
WESTERN STAR



MAXX22L / MAXXUS

**207117** > CALIPER LEVER SET

MERCEDES-BENZ AROCS REAR



MAXX22L

**207114** > CALIPER LEVER

MERCEDES-BENZ AROCS FRONT  
FREIGHTLINER  
WESTERN STAR



MAXX22L / MAXXUS

**207116** > CALIPER LEVER

MERCEDES-BENZ AROCS REAR



MAXX22L

**208110** > CALIPER BEARING SET



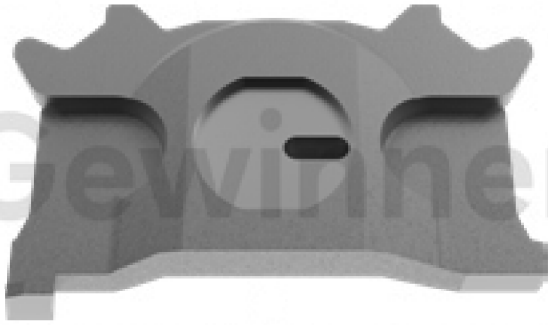
MAXX22L

**208108** > CALIPER BEARING SET



MAXX22L

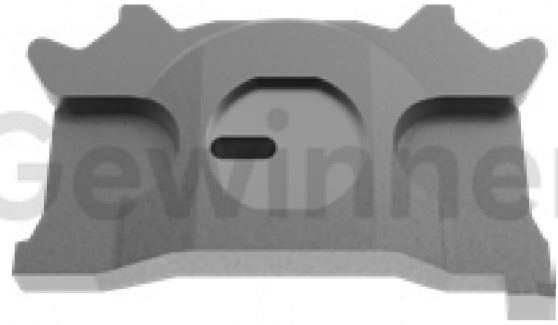
**205506** >> CALIPER PRESSURE PLATE -L (with GROOVE)  
MERCEDES-BENZ AROCS



MAXX22L

640 322 946 2

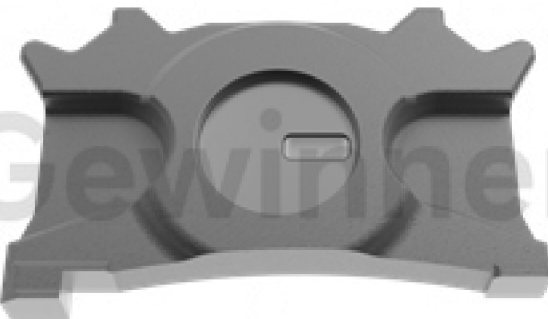
**205406** >> CALIPER PRESSURE PLATE -R (with GROOVE)  
MERCEDES-BENZ AROCS



MAXX22L

640 322 945 2

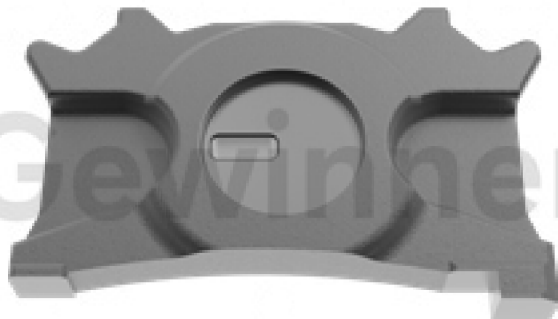
**205509** >> CALIPER PRESSURE PLATE -L (with GROOVE)  
FREIGHTLINER  
WESTERN STAR



MAXXUS

640 322 935 2 - L

**205409** >> CALIPER PRESSURE PLATE -R (with GROOVE)  
FREIGHTLINER  
WESTERN STAR



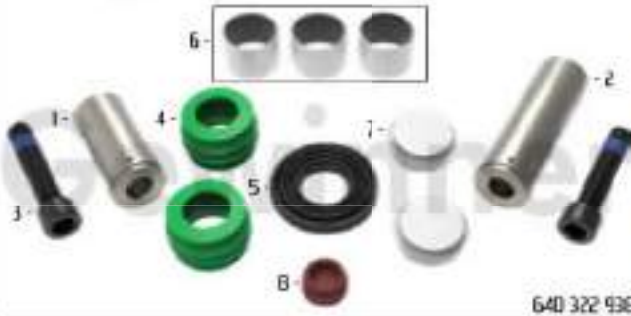
MAXXUS

640 322 935 2 - R

MAXX22L & MAXXUS

MAXX22L & MAXXUS

**252128** > CALIPER GUIDE PIN REPAIR KIT



640 322 938 2

MAXX22L / MAXXUS

PART NO.	GW NO.	CONTENTS	DIMENSION	QTY.
1	260003	CALIPER GUIDE PIN	Ø 37,7 x 76 mm	1
2	260009	CALIPER GUIDE PIN	Ø 38 x 118 mm	1
3	26403	CALIPER GUIDE PIN BOLT	M16 x 1,5 x 80 mm	2
4	26202	CALIPER GUIDE PIN BOOT	-	2
5	26203	CALIPER MECHANISM BOOT	-	1
6	26302	CALIPER GUIDE PIN BUSHING	Ø 42 x 38 x 30 mm	3
7	26402	CALIPER GUIDE PIN CAP	Ø 42 x 17 mm	2
8	26409	CALIPER HEAD CAP	-	1

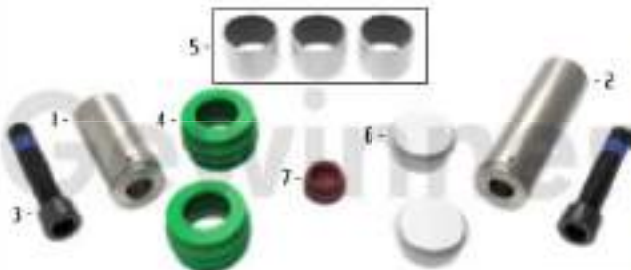
**252145** > CALIPER GUIDE PIN REPAIR KIT



MAXX22L / MAXXUS

PART NO.	GW NO.	CONTENTS	DIMENSION	QTY.
1	260003	CALIPER GUIDE PIN	Ø 37,7 x 76 mm	1
2	260009	CALIPER GUIDE PIN	Ø 38 x 118 mm	1
3	26403	CALIPER GUIDE PIN BOLT	M16 x 1,5 x 80 mm	2
4	26202	CALIPER GUIDE PIN BOOT	-	2
5	26203	CALIPER MECHANISM BOOT	-	1
6	26302	CALIPER GUIDE PIN BUSHING	Ø 42 x 38 x 30 mm	3
7	26402	CALIPER GUIDE PIN CAP	Ø 42 x 17 mm	2

**252129** > CALIPER GUIDE PIN REPAIR KIT



640 322 951 2

MAXX22L / MAXXUS

PART NO.	GW NO.	CONTENTS	DIMENSION	QTY.
1	260003	CALIPER GUIDE PIN	Ø 37,7 x 76 mm	1
2	260009	CALIPER GUIDE PIN	Ø 38 x 118 mm	1
3	26403	CALIPER GUIDE PIN BOLT	M16 x 1,5 x 80 mm	2
4	26202	CALIPER GUIDE PIN BOOT	-	2
5	26302	CALIPER GUIDE PIN BUSHING	Ø 42 x 38 x 30 mm	3
6	26402	CALIPER GUIDE PIN CAP	Ø 42 x 17 mm	2
7	26409	CALIPER HEAD CAP	-	1

**252131** > CALIPER GUIDE PIN REPAIR KIT



MAXX22L / MAXXUS

PART NO.	GW NO.	CONTENTS	DIMENSION	QTY.
1	26202	CALIPER GUIDE PIN BOOT	-	2
2	26203	CALIPER MECHANISM BOOT	-	1
3	26302	CALIPER GUIDE PIN BUSHING	Ø 42 x 38 x 30 mm	3
4	26402	CALIPER GUIDE PIN CAP	Ø 42 x 17 mm	2
5	26409	CALIPER HEAD CAP	-	1

**252130** > CALIPER GUIDE PIN REPAIR KIT



640 319 922 2

MAXX22L / MAXXUS

PART NO.	GW NO.	CONTENTS	DIMENSION	QTY.
1	26403	CALIPER GUIDE PIN BOLT	M16 x 1,5 x 80 mm	2
2	26202	CALIPER GUIDE PIN BOOT	-	2
3	26203	CALIPER MECHANISM BOOT	-	1
4	26302	CALIPER GUIDE PIN BUSHING	Ø 42 x 38 x 30 mm	3
5	26402	CALIPER GUIDE PIN CAP	Ø 42 x 17 mm	2

**250115** > CALIPER BOOT SET



MAXX22L / MAXXUS

PART NO	GW NO	CONTENTS	DIMENSION	QTY.
1	262112	CALIPER GUIDE PIN BOOT	-	2
2	262113	CALIPER MECHANISM BOOT	-	1

**250116** > CALIPER BOOT SET



MAXX22L / MAXXUS

640 322 932 2

PART NO	GW NO	CONTENTS	DIMENSION	QTY.
1	262113	CALIPER MECHANISM BOOT	-	1
2	264109	CALIPER HEAD CAP	-	1

**210107** > CALIPER SHEET METAL COVER SET

MERCEDES-BENZ AROCS



MAXX22L

**210115** > CALIPER SHEET METAL COVER SET

FREIGHTLINER  
WESTERN STAR



MAXXUS

**270108** > CALIPER SHEET METAL COVER SEAL SET



MAXX22L / MAXXUS

PART NO	GW NO	CONTENTS	DIMENSION	QTY.
1	270109	CALIPER SHEET METAL COVER SEAL	-	5

**220104** > CALIPER BRAKE PAD WEAR SENSOR

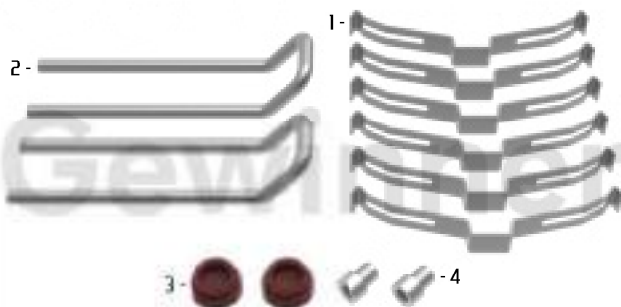
MERCEDES-BENZ AROCS



MAXX22L

640 322 943 2  
003 540 9217

**211110** > CALIPER BRAKE PAD RETAINER KIT



MAXX22L

PART NO	GW NO	CONTENTS	DIMENSION	QTY.
1	211114	CALIPER BRAKE PAD SPRING	-	6
2	211115	CALIPER BRAKE PAD HOLDER	-	2
3	261123	CALIPER BRAKE PAD HOLDER BOLT	-	2
4	264109	CALIPER HEAD CAP	-	2

640 319 922 2



BRAKE  
CALIPER  
REPAIR KITS

*for*  
**WABCO**  
**MAXX22T**

**201427 > COMPLETE CALIPER REPAIR KIT -R**

SCHMITZ TRAILER



PART NO	GW NO	CONTENTS	DIMENSION	QTY.	COMPATIBLE BRAKE CALIPER
1	20114	CALIPER ADJUSTING MECHANISM SET (with PIN)	-	1	RIGHT HAND
2	205403	CALIPER PRESSURE PLATE -R (with GROOVE)	-	1	295412
3	207111	CALIPER LEVER SET	-	1	
4	208108	CALIPER NEEDLE BEARING SET	-	1	
5	210105	CALIPER SHEET METAL COVER SET	-	1	
6	21114	CALIPER BRAKE PAD SPRING	-	3	
7	21115	CALIPER BRAKE PAD HOLDER	-	1	
8	252126	CALIPER GUIDE PIN REPAIR KIT	-	1	
9	270101	CALIPER HEAD SEAL	-	1	
10	261123	CALIPER BRAKE PAD HOLDER BOLT	-	1	

**201527 > COMPLETE CALIPER REPAIR KIT -L**

SCHMITZ TRAILER



PART NO	GW NO	CONTENTS	DIMENSION	QTY.	COMPATIBLE BRAKE CALIPER
1	20114	CALIPER ADJUSTING MECHANISM SET (with PIN)	-	1	LEFT HAND
2	205503	CALIPER PRESSURE PLATE -L (with GROOVE)	-	1	295512
3	207111	CALIPER LEVER SET	-	1	
4	208108	CALIPER NEEDLE BEARING SET	-	1	
5	210105	CALIPER SHEET METAL COVER SET	-	1	
6	21114	CALIPER BRAKE PAD SPRING	-	3	
7	21115	CALIPER BRAKE PAD HOLDER	-	1	
8	252126	CALIPER GUIDE PIN REPAIR KIT	-	1	
9	270101	CALIPER HEAD SEAL	-	1	
10	261123	CALIPER BRAKE PAD HOLDER BOLT	-	1	

**201408** > CALIPER COMPLETE REPAIR SET -R



PART NO	GW NO	CONTENTS	DIMENSION	QTY.
1	20114	CALIPER ADJUSTING MECHANISM SET (with PIN)	-	1
2	205403	CALIPER PRESSURE PLATE -R (with GROOVE)	-	1
3	20711	CALIPER LEVER SET	-	1
4	208108	CALIPER NEEDLE BEARING SET	-	1
5	210105	CALIPER SHEET METAL COVER SET	-	1
6	252126	CALIPER GUIDE PIN REPAIR KIT	-	1
7	270101	CALIPER HEAD SEAL	-	1

**201508** > CALIPER COMPLETE REPAIR SET -L



PART NO	GW NO	CONTENTS	DIMENSION	QTY.
1	20114	CALIPER ADJUSTING MECHANISM SET (with PIN)	-	1
2	205503	CALIPER PRESSURE PLATE -L (with GROOVE)	-	1
3	20711	CALIPER LEVER SET (FRONT)	-	1
4	208108	CALIPER NEEDLE BEARING SET	-	1
5	210105	CALIPER SHEET METAL COVER SET	-	1
6	252126	CALIPER GUIDE PIN REPAIR KIT	-	1
7	270101	CALIPER HEAD SEAL	-	1

MAXX22T

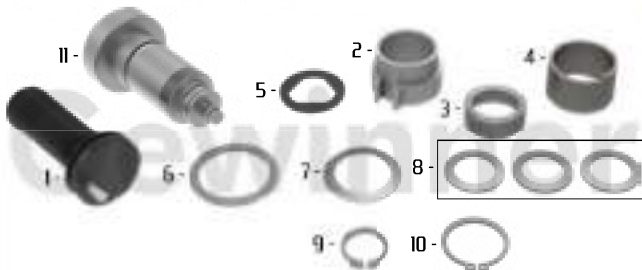
**201137** > CALIPER REPAIR SET (with PIN)



**201114** > CALIPER REPAIR SET (with PIN)



**202115** > CALIPER ADJUSTING MECHANISM REPAIR KIT (with PIN)



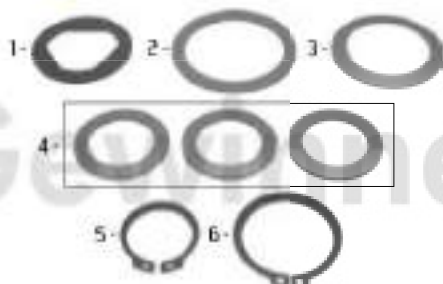
PART NO.	GW NO.	CONTENTS	DIMENSION	QTY.
1	26121	CALIPER CALIBRATION BOLT (with PIN)	-	1
2	25703	ADJUSTING MECHANISM TORSION SPRING RING	-	1
3	26706	ADJUSTING MECHANISM TORSION SPRING RING	-	1
4	27205	ADJUSTING MECHANISM TORSION SPRING	-	1
5	27105	ADJUSTING MECHANISM TRIANGLE WASHER	-	1
6	27306	ADJUSTING MECHANISM SPRING WASHER	-	1
7	27307	ADJUSTING MECHANISM BEVEL WASHER (LARGE)	-	1
8	27801	ADJUSTING MECHANISM BEVEL WASHER (SMALL)	-	3
9	28103	ADJUSTING MECHANISM CIRCLIP (SMALL)	-	1
10	28104	ADJUSTING MECHANISM CIRCLIP (LARGE)	-	1
11	28204	ADJUSTING MECHANISM SLOT	-	1

**202114** > CALIPER ADJUSTING MECHANISM REPAIR KIT (with PIN)



PART NO.	GW NO.	CONTENTS	DIMENSION	QTY.
1	26120	CALIPER CALIBRATION BOLT (with PIN)	-	1
2	25703	ADJUSTING MECHANISM TORSION SPRING RING	-	1
3	26706	ADJUSTING MECHANISM TORSION SPRING RING	-	1
4	27205	ADJUSTING MECHANISM TORSION SPRING	-	1
5	28204	ADJUSTING MECHANISM SLOT	-	1

**253105** > CALIPER ADJUSTING MECHANISM REPAIR KIT



PART NO.	GW NO.	CONTENTS	DIMENSION	QTY.
1	27305	ADJUSTING MECHANISM TRIANGLE WASHER	-	1
2	27306	ADJUSTING MECHANISM SPRING WASHER	-	1
3	27307	ADJUSTING MECHANISM BEVEL WASHER (LARGE)	-	1
4	27801	ADJUSTING MECHANISM BEVEL WASHER (SMALL)	-	3
5	28103	ADJUSTING MECHANISM CIRCLIP (SMALL)	-	1
6	28104	ADJUSTING MECHANISM CIRCLIP (LARGE)	-	1

**212107** > CALIPER SHAFT HOUSING SET



**261120** > CALIPER CALIBRATION BOLT (with PIN)



**207111** > CALIPER LEVER SET



**207112** > CALIPER LEVER



**208110** > CALIPER BEARING SET



**208108** > CALIPER BEARING SET



**205503** > CALIPER PRESSURE PLATE -L (with GROOVE)



**205403** > CALIPER PRESSURE PLATE -R (with GROOVE)

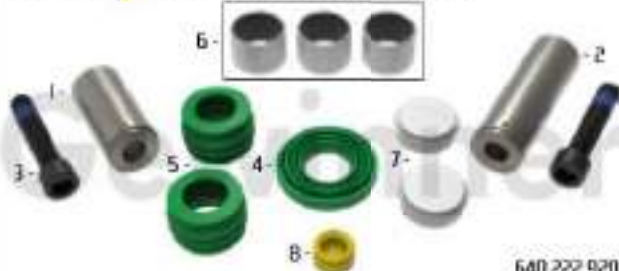


640 225 926 2 - L

640 225 926 2 - R

MAXX22T

**252126** > CALIPER GUIDE PIN REPAIR KIT



640 222 920 2  
640 222 928 2

PART NO	GW NO	CONTENTS	DIMENSION	QTY.
1	254008	CALIPER GUIDE PIN	Ø 31,7 x 76 mm	1
2	254009	CALIPER GUIDE PIN	Ø 31 x 88 mm	1
3	25425	CALIPER GUIDE PIN BOLT	M16 x 1,5 x 60 mm	2
4	252003	CALIPER MECHANISM BOOT	-	1
5	25212	CALIPER GUIDE PIN BOOT	-	2
6	25302	CALIPER GUIDE PIN BUSHING	Ø 42 x 38 x 30 mm	3
7	254002	CALIPER GUIDE PIN CAP	Ø 42 x 17 mm	2
8	254007	CALIPER HEAD CAP	-	1

**250111** > CALIPER BOOT & BUSHING SET



PART NO	GW NO	CONTENTS	DIMENSION	QTY.
1	252003	CALIPER MECHANISM BOOT	-	1
2	25212	CALIPER GUIDE PIN BOOT	-	2
3	25302	CALIPER GUIDE PIN BUSHING	Ø 42 x 38 x 30 mm	3
4	254002	CALIPER GUIDE PIN CAP	Ø 42 x 17 mm	2
5	254007	CALIPER HEAD CAP	-	1

**250114** > CALIPER BOOT & BUSHING SET



PART NO	GW NO	CONTENTS	DIMENSION	QTY.
1	252003	CALIPER MECHANISM BOOT	-	1
2	25212	CALIPER GUIDE PIN BOOT	-	2

**250106** > CALIPER BOOT & BUSHING SET



640 175 920 2

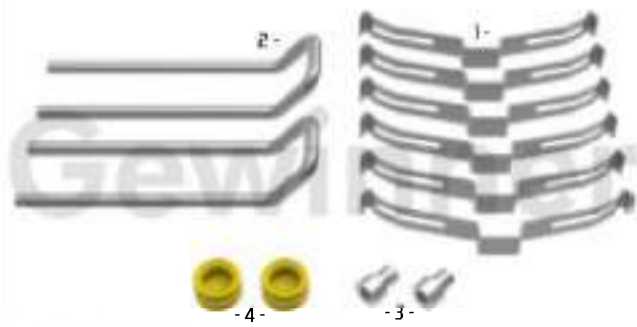
PART NO	GW NO	CONTENTS	DIMENSION	QTY.
1	252003	CALIPER MECHANISM BOOT	-	1
2	254007	CALIPER HEAD CAP	-	1
3	27001	CALIPER HEAD SEAL	-	1

**210105** > CALIPER SHEET METAL COVER SET



PART NO	GW NO	CONTENTS	DIMENSION	QTY.
1	210106	CALIPER SHEET METAL COVER	-	1
2	261122	CALIPER SHEET METAL COVER BOLT	-	6

**211138** > CALIPER BRAKE PAD RETAINER KIT



640 222 923 2

PART NO	GW NO	CONTENTS	DIMENSION	QTY.
1	21114	CALIPER BRAKE PAD SPRING	-	6
2	21115	CALIPER BRAKE PAD HOLDER	-	2
3	261123	CALIPER BRAKE PAD HOLDER BOLT	-	2
4	264107	CALIPER HEAD CAP	-	2

[www.gewinnerbrake.com](http://www.gewinnerbrake.com)

1000V-G

*for*  
**WABCO**  
**1000V-G**



BRAKE  
CALIPER  
REPAIR KITS

**252120** > CALIPER GUIDE PIN REPAIR KIT

MAN L2000  
NEOPLAN METROLINER



PART NO	GW NO	CONTENTS	DIMENSION	QTY.
1	260105	CALIPER GUIDE PIN	Ø 25 x 91 mm	4
2	261109	CALIPER GUIDE PIN BOLT	M12 x 1,25 x 90 mm	4
3	261110	CALIPER BRAKE LINING PLATE BOLT	M6 x 20 mm	2
4	262106	CALIPER GUIDE PIN BOOT	-	4
5	262107	CALIPER ADJUSTING MECHANISM BOOT	-	2
6	263103	CALIPER GUIDE PIN BUSHING	Ø 28 x 25 X15	8
7	264105	CALIPER GUIDE PIN CAP	Ø 28 x 16	4
8	264106	CALIPER HEAD CAP	-	2
9	268101	CALIPER SPLINE SHAFT O-RING	-	2
10	270102	CALIPER SPLINE SHAFT SEAL	-	2
11	272104	CALIPER BRAKE LINING PLATE SPRING	-	2

12 999 729VT

**252142 >** CALIPER GUIDE PIN REPAIR KIT

MAN L2000  
NEOPLAN METROLINER



PART NO	GW NO	CONTENTS	DIMENSION	QTY.
1	254015	CALIPER GUIDE PIN	Ø 25 x 91 mm	2
2	254019	CALIPER GUIDE PIN BOOT	M2 x L25 x 90 mm	2
3	252106	CALIPER GUIDE PIN BOOT	-	3
4	253011	CALIPER GUIDE PIN BUSHING	Ø 25 x 25 x 5	4
5	254015	CALIPER GUIDE PIN CAP	Ø 28 x 16	2

**250121 >** CALIPER BOOT SET



640 319 922 2

PART NO	GW NO	CONTENTS	DIMENSION	QTY.
1	252106	CALIPER GUIDE PIN BOOT	-	2
2	252107	CALIPER ADJUSTING MECHANISM BOOT	-	1

**010101 >** GREASE





BRAKE  
CALIPER  
REPAIR KITS

*for*  
**MERITOR**  
**ELSA 1**  
**ELSA 1 RADIAL**

**301416 > CALIPER COMPLETE REPAIR SET -R**

MAN LION'S CLASSIC  
MAN BUS A13  
MAN BUS A32  
MAN New Model



**ELSA 1**

PART NO	GW NO	CONTENTS	DIMENSION	QTY.
1	301401	CALIPER ADJUSTING GEAR SET -R	Ø 35 mm	1
2	302102	CALIPER ADJUSTING MECHANISM	-	1
3	302406	CALIPER MANUEL ADJUSTING GEAR -R	-	1
4	307401	CALIPER ADJUSTING MECHANISM -R	-	1
5	307403	CALIPER LEVER SET -R	-	1
6	308105	CALIPER NEEDLE BEARING SET	-	1
7	31105	CALIPER ADJUSTING GEAR LOCKING SHIM	-	1
8	340402	CALIPER LEVER RETURN SPRING SET -R	-	1
9	352104	CALIPER GUIDE PIN REPAIR KIT	-	1
10	371103	CALIPER COVER GASKET	-	1

**301516 > CALIPER COMPLETE REPAIR SET -L**

MAN LION'S CLASSIC  
MAN BUS A13  
MAN BUS A32  
MAN New Model



**ELSA 1**

PART NO	GW NO	CONTENTS	DIMENSION	QTY.
1	301501	CALIPER ADJUSTING GEAR SET -L	Ø 35 mm	1
2	302102	CALIPER ADJUSTING MECHANISM	-	1
3	302506	CALIPER MANUEL ADJUSTING GEAR -L	-	1
4	307501	CALIPER ADJUSTING MECHANISM -L	-	1
5	307503	CALIPER LEVER SET -L	-	1
6	308105	CALIPER NEEDLE BEARING SET	-	1
7	31105	CALIPER ADJUSTING GEAR LOCKING SHIM	-	1
8	340502	CALIPER LEVER RETURN SPRING SET -L	-	1
9	352104	CALIPER GUIDE PIN REPAIR KIT	-	1
10	371103	CALIPER COVER GASKET	-	1

**301417** >> CALIPER COMPLETE REPAIR SET -R

MAN LION'S CLASSIC  
MAN BUS A13  
MAN BUS A32  
MAN New Model

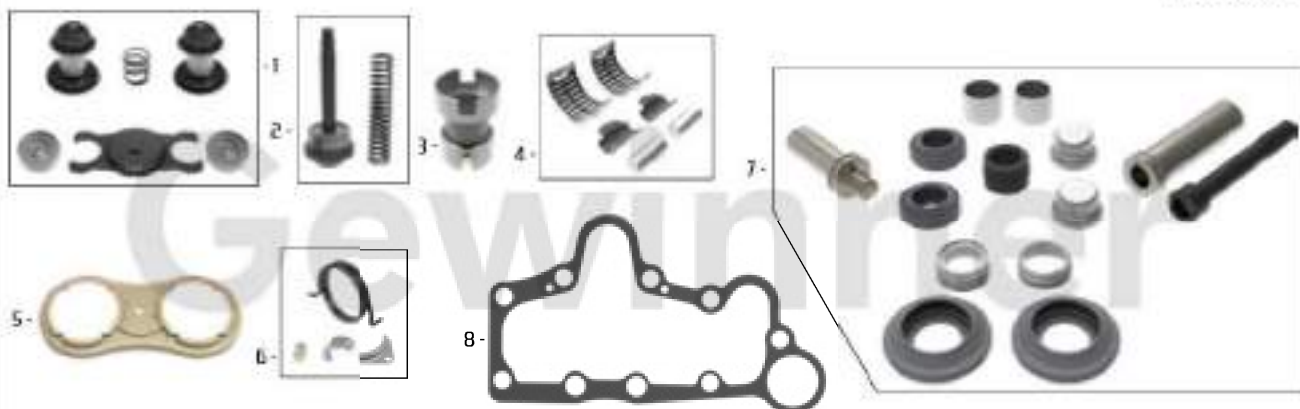


ELSA 1

PART NO	GW NO	CONTENTS	DIMENSION	QTY.
1	301401	CALIPER ADJUSTING GEAR SET -R	∅ 35 mm	1
2	302102	CALIPER ADJUSTING MECHANISM	-	1
3	307401	CALIPER ADJUSTING MECHANISM -R	-	1
4	308104	CALIPER BEARING SET	-	1
5	31105	CALIPER ADJUSTING GEAR LOCKING SHIM	-	1
6	340402	CALIPER LEVER RETURN SPRING SET -R	-	1
7	352104	CALIPER GUIDE PIN REPAIR KIT	-	1
8	37103	CALIPER COVER GASKET	-	1

**301517** >> CALIPER COMPLETE REPAIR SET -L

MAN LION'S CLASSIC  
MAN BUS A13  
MAN BUS A32  
MAN New Model



ELSA 1

PART NO	GW NO	CONTENTS	DIMENSION	QTY.
1	301501	CALIPER ADJUSTING GEAR SET -L	∅ 35 mm	1
2	302102	CALIPER ADJUSTING MECHANISM	-	1
3	307501	CALIPER ADJUSTING MECHANISM -L	-	1
4	308104	CALIPER BEARING SET	-	1
5	31105	CALIPER ADJUSTING GEAR LOCKING SHIM	-	1
6	340502	CALIPER LEVER RETURN SPRING SET -L	-	1
7	352104	CALIPER GUIDE PIN REPAIR KIT	-	1
8	37103	CALIPER COVER GASKET	-	1

**301418 > CALIPER COMPLETE REPAIR SET -R**

MAN LION'S CLASSIC  
MAN BUS A13  
MAN BUS A32  
MAN Old Model

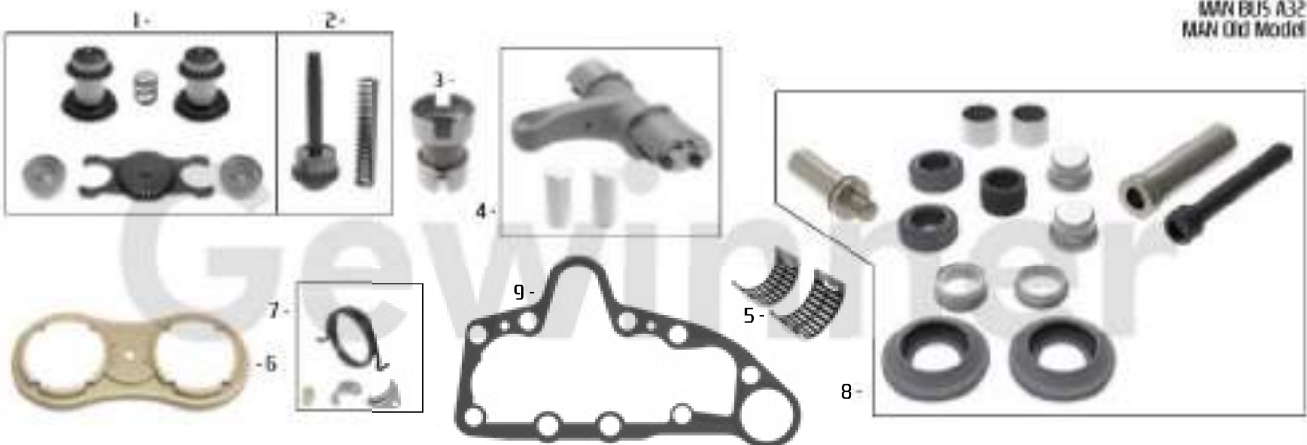


**ELSA 1**

PART NO	GW NO	CONTENTS	DIMENSION	QTY.
1	301402	CALIPER ADJUSTING GEAR SET -R	ø 375 mm	1
2	302102	CALIPER ADJUSTING MECHANISM	-	1
3	307401	CALIPER ADJUSTING MECHANISM -R	-	1
4	307403	CALIPER LEVER SET -R	-	1
5	308105	CALIPER NEEDLE BEARING SET	-	1
6	31105	CALIPER ADJUSTING GEAR LOCKING SHIM	-	1
7	340402	CALIPER LEVER RETURN SPRING SET -R	-	1
8	352104	CALIPER GUIDE PIN REPAIR KIT	-	1
9	371102	CALIPER COVER GASKET	-	1

**301518 > CALIPER COMPLETE REPAIR SET -L**

MAN LION'S CLASSIC  
MAN BUS A13  
MAN BUS A32  
MAN Old Model



**ELSA 1**

PART NO	GW NO	CONTENTS	DIMENSION	QTY.
1	301502	CALIPER ADJUSTING GEAR SET -L	ø 375 mm	1
2	302102	CALIPER ADJUSTING MECHANISM	-	1
3	307501	CALIPER ADJUSTING MECHANISM -L	-	1
4	307503	CALIPER LEVER SET -L	-	1
5	308105	CALIPER NEEDLE BEARING SET	-	1
6	31105	CALIPER ADJUSTING GEAR LOCKING SHIM	-	1
7	340502	CALIPER LEVER RETURN SPRING SET -L	-	1
8	352104	CALIPER GUIDE PIN REPAIR KIT	-	1
9	371102	CALIPER COVER GASKET	-	1

**301419** > CALIPER COMPLETE REPAIR SET -R

MAN LION'S CLASSIC  
MAN BUS A13  
MAN BUS A32  
MAN Old Model



ELSA 1

PART NO	GW NO	CONTENTS	DIMENSION	QTY.
1	301402	CALIPER ADJUSTING GEAR SET -R	∅ 37.5 mm	1
2	302102	CALIPER ADJUSTING MECHANISM	-	1
3	307401	CALIPER ADJUSTING MECHANISM -R	-	1
4	308104	CALIPER BEARING SET	-	1
5	311105	CALIPER ADJUSTING GEAR LOCKING SHIM	-	1
6	340402	CALIPER LEVER RETURN SPRING SET -R	-	1
7	352104	CALIPER GUIDE PIN REPAIR KIT	-	1
8	371102	CALIPER COVER GASKET	-	1

**301519** > CALIPER COMPLETE REPAIR SET -L

MAN LION'S CLASSIC  
MAN BUS A13  
MAN BUS A32  
MAN Old Model



ELSA 1

PART NO	GW NO	CONTENTS	DIMENSION	QTY.
1	301502	CALIPER ADJUSTING GEAR SET -L	∅ 37.5 mm	1
2	302102	CALIPER ADJUSTING MECHANISM	-	1
3	307501	CALIPER ADJUSTING MECHANISM -L	-	1
4	308104	CALIPER BEARING SET	-	1
5	311105	CALIPER ADJUSTING GEAR LOCKING SHIM	-	1
6	340502	CALIPER LEVER RETURN SPRING SET -L	-	1
7	352104	CALIPER GUIDE PIN REPAIR KIT	-	1
8	371102	CALIPER COVER GASKET	-	1

**301420 > CALIPER COMPLETE REPAIR SET -R**

MAN LION'S CITY  
NEOPLAN CENTROLINE  
RENAULT BUS AGORA  
VAN HOOL A320



**ELSA 1 RADIAL**

PART NO	GW NO	CONTENTS	DIMENSION	QTY.
1	301401	CALIPER ADJUSTING GEAR SET -R	∅ 35 mm	1
2	302412	CALIPER ADJUSTING MECHANISM -R	-	1
3	307413	CALIPER LEVER SET -R	-	1
4	308105	CALIPER NEEDLE BEARING SET	-	1
5	311105	CALIPER ADJUSTING GEAR LOCKING SHIM	-	1
6	340404	CALIPER LEVER RETURN SPRING SET -R	-	1
7	352105	CALIPER GUIDE PIN REPAIR KIT	-	1

**301520 > CALIPER COMPLETE REPAIR SET -L**

MAN LION'S CITY  
NEOPLAN CENTROLINE  
RENAULT BUS AGORA  
VAN HOOL A320

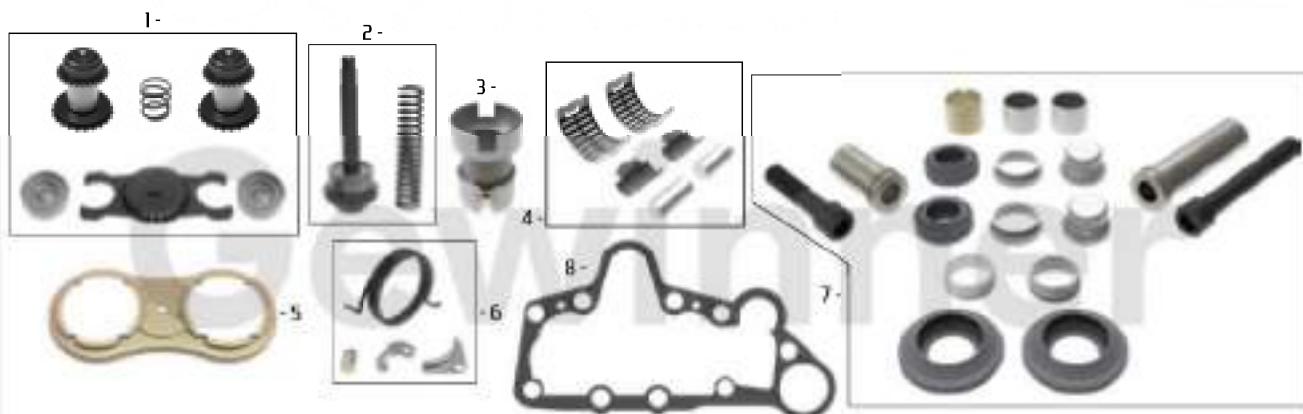


**ELSA 1 RADIAL**

PART NO	GW NO	CONTENTS	DIMENSION	QTY.
1	301501	CALIPER ADJUSTING GEAR SET -L	∅ 35 mm	1
2	302512	CALIPER ADJUSTING MECHANISM -L	-	1
3	307513	CALIPER LEVER SET -L	-	1
4	308105	CALIPER NEEDLE BEARING SET	-	1
5	311105	CALIPER ADJUSTING GEAR LOCKING SHIM	-	1
6	340504	CALIPER LEVER RETURN SPRING SET -L	-	1
7	352105	CALIPER GUIDE PIN REPAIR KIT	-	1

**301421** > CALIPER COMPLETE REPAIR SET -R

MAN T6A / F2000 / LION'S CITY / LION'S COACH / LION'S STAR  
NEOPLAN CENTROLINER / TOURLINER / TROLLEY  
MAN NEW MODEL



ELSA 1

PART NO	GW NO	CONTENTS	DIMENSION	QTY.
1	301401	CALIPER ADJUSTING GEAR SET -R	∅ 35 mm	1
2	302102	CALIPER ADJUSTING MECHANISM	-	1
3	307401	CALIPER ADJUSTING MECHANISM -R	-	1
4	308104	CALIPER BEARING SET	-	1
5	311105	CALIPER ADJUSTING GEAR LOCKING SHIM	-	1
6	340402	CALIPER LEVER RETURN SPRING SET -R	-	1
7	352105	CALIPER GUIDE PIN REPAIR KIT	-	1
8	371104	CALIPER COVER GASKET	-	1

**301521** > CALIPER COMPLETE REPAIR SET -L

MAN T6A / F2000 / LION'S CITY / LION'S COACH / LION'S STAR  
NEOPLAN CENTROLINER / TOURLINER / TROLLEY  
MAN NEW MODEL



ELSA 1

PART NO	GW NO	CONTENTS	DIMENSION	QTY.
1	301501	CALIPER ADJUSTING GEAR SET -L	∅ 35 mm	1
2	302102	CALIPER ADJUSTING MECHANISM	-	1
3	307501	CALIPER ADJUSTING MECHANISM -L	-	1
4	308104	CALIPER BEARING SET	-	1
5	311105	CALIPER ADJUSTING GEAR LOCKING SHIM	-	1
6	340502	CALIPER LEVER RETURN SPRING SET -L	-	1
7	352105	CALIPER GUIDE PIN REPAIR KIT	-	1
8	371104	CALIPER COVER GASKET	-	1

**301422 > CALIPER COMPLETE REPAIR SET -R**

MAN T6A / F2000 / LION'S CITY / LION'S COACH / LION'S STAR  
NEOPLAN CENTROLINER / TOURLINER / TROLLEY  
MAN NEW MODEL



**ELSA 1**

PART NO	GW NO	CONTENTS	DIMENSION	QTY.
1	301402	CALIPER ADJUSTING GEAR SET -R	ø 37,5 mm	1
2	302102	CALIPER ADJUSTING MECHANISM	-	1
3	307401	CALIPER ADJUSTING MECHANISM -R	-	1
4	308104	CALIPER BEARING SET	-	1
5	311105	CALIPER ADJUSTING GEAR LOCKING SHIM	-	1
6	340402	CALIPER LEVER RETURN SPRING SET -R	-	1
7	352105	CALIPER GUIDE PIN REPAIR KIT	-	1
8	371102	CALIPER COVER GASKET	-	1

**301522 > CALIPER COMPLETE REPAIR SET -L**

MAN T6A / F2000 / LION'S CITY / LION'S COACH / LION'S STAR  
NEOPLAN CENTROLINER / TOURLINER / TROLLEY  
MAN NEW MODEL



**ELSA 1**

PART NO	GW NO	CONTENTS	DIMENSION	QTY.
1	301502	CALIPER ADJUSTING GEAR SET -L	ø 37,5 mm	1
2	302102	CALIPER ADJUSTING MECHANISM	-	1
3	307501	CALIPER ADJUSTING MECHANISM -L	-	1
4	308104	CALIPER BEARING SET	-	1
5	311105	CALIPER ADJUSTING GEAR LOCKING SHIM	-	1
6	340502	CALIPER LEVER RETURN SPRING SET -L	-	1
7	352105	CALIPER GUIDE PIN REPAIR KIT	-	1
8	371102	CALIPER COVER GASKET	-	1

**301510** > CALIPER ADJUSTING GEAR SET -L Ø 35 mm



ELSA 1 / ELSA 1 RADIAL

**301410** > CALIPER ADJUSTING GEAR SET -R Ø 35 mm



ELSA 1 / ELSA 1 RADIAL

**301501** > CALIPER ADJUSTING GEAR SET -L Ø 35 mm



ELSA 1 / ELSA 1 RADIAL

**301401** > CALIPER ADJUSTING GEAR SET -R Ø 35 mm



ELSA 1 / ELSA 1 RADIAL

**301511** > CALIPER ADJUSTING GEAR SET -L Ø 37.5 mm



ELSA 1

**301411** > CALIPER ADJUSTING GEAR SET -R Ø 37.5 mm



ELSA 1

**301502** > CALIPER ADJUSTING GEAR SET -L Ø 37.5 mm



ELSA 1

**301402** > CALIPER ADJUSTING GEAR SET -R Ø 37.5 mm



ELSA 1

ELSA 1 & ELSA 1 RADIAL

**303506** > CALIPER ADJUSTING GEAR -L Ø 35 mm



ELSA 1 / ELSA 1 RADIAL

**303406** > CALIPER ADJUSTING GEAR -R Ø 35 mm



ELSA 1 / ELSA 1 RADIAL

**311114** > CALIPER ADJUSTING GEAR SHIM SET 35 mm



ELSA 1 / ELSA 1 RADIAL

**311109** > CALIPER ADJUSTING GEAR SHIM 35 mm



ELSA 1 / ELSA 1 RADIAL

**303507** > CALIPER ADJUSTING GEAR -L Ø 37.5 mm



ELSA 1

**303407** > CALIPER ADJUSTING GEAR -R Ø 37.5 mm



ELSA 1

**311115** > CALIPER ADJUSTING GEAR SHIM SET 37.5 mm



ELSA 1

**311110** > CALIPER ADJUSTING GEAR SHIM 37.5 mm



ELSA 1

ELSA 1 & ELSA 1 RADIAL

**302505** > CALIPER ADJUSTING MECHANISM SET -L



ELSA 1

**302405** > CALIPER ADJUSTING MECHANISM SET -L



ELSA 1

**307501** > CALIPER ADJUSTING MECHANISM -L



ELSA 1

**307401** > CALIPER ADJUSTING MECHANISM -R



ELSA 1

**302507** > CALIPER ADJUSTING MECHANISM SET -L



ELSA 1

**302407** > CALIPER ADJUSTING MECHANISM SET -R



ELSA 1

**302506** > CALIPER MANUEL ADJUSTING GEAR -L



ELSA 1

683 225 62 PK4

**302406** > CALIPER MANUEL ADJUSTING GEAR -R



ELSA 1

683 225 63 PK4

**302511** > CALIPER ADJUSTING MECHANISM SET - L



ELSA 1 RADIAL

**302411** > CALIPER ADJUSTING MECHANISM SET - R



ELSA 1 RADIAL

**307509** > CALIPER ADJUSTING MECHANISM - L



ELSA 1 RADIAL

**307409** > CALIPER ADJUSTING MECHANISM - R



ELSA 1 RADIAL

**302512** > CALIPER ADJUSTING MECHANISM SET - L



ELSA 1 RADIAL

**302412** > CALIPER ADJUSTING MECHANISM SET - R



ELSA 1 RADIAL

**302510** > CALIPER ADJUSTING MECHANISM - L



ELSA 1 RADIAL

**302410** > CALIPER ADJUSTING MECHANISM - R



ELSA 1 RADIAL

**302102** > CALIPER ADJUSTING MECHANISM



ELSA 1

**302109** > CALIPER ADJUSTING MECHANISM



ELSA 1 / ELSA 1 RADIAL

**307503** >> CALIPER LEVER SET -L



ELSA 1

380101

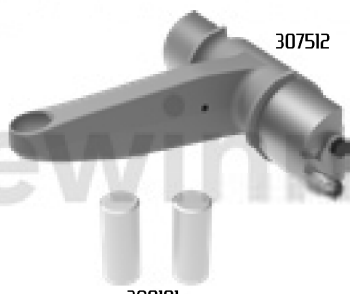
**307403** >> CALIPER LEVER SET -R



ELSA 1

380101

**307513** >> CALIPER LEVER SET -L



ELSA 1 RADIAL

380101

**307413** >> CALIPER LEVER SET -R



ELSA 1 RADIAL

380101

**340502** >> CALIPER LEVER RETURN SPRING SET -L



ELSA 1

**340402** >> CALIPER LEVER RETURN SPRING SET -R



ELSA 1

**340504** >> CALIPER LEVER RETURN SPRING SET -L



ELSA 1 RADIAL

**340404** >> CALIPER LEVER RETURN SPRING SET -R



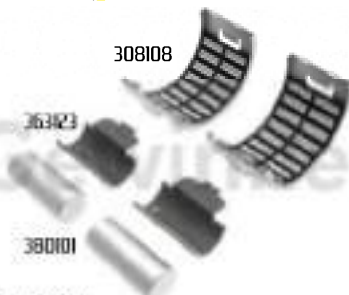
ELSA 1 RADIAL

**308104** >> CALIPER BEARING SET



ELSA 1

**308115** >> CALIPER BEARING SET



ELSA 1 RADIAL

**308105** >> CALIPER BEARING SET



ELSA 1

**352104** > CALIPER GUIDE PIN & BOOT REPAIR KIT



ELSA I

PART NO	GW NO	CONTENTS	DIMENSION	QTY.
1	36004	CALIPER GUIDE PIN	∅ 28 x 110 mm	1
2	36009	CALIPER GUIDE PIN	∅ 35 x 135 mm	1
3	36007	CALIPER GUIDE PIN BOLT	M20 x 1.5 x 150 mm	1
4	36208	CALIPER GUIDE PIN BOOT	-	2
5	36204	CALIPER MECHANISM BOOT	-	2
6	36308	CALIPER GUIDE PIN RUBBER BUSHING	∅ 28.5 x 40 x 27 mm	1
7	36305	CALIPER GUIDE PIN BUSHING	∅ 35 x 39 x 30 mm	2
8	36408	CALIPER GUIDE PIN CAP	∅ 44 x 28 mm	2
9	36708	CALIPER GUIDE PIN RING	∅ 36/37 x 39 x 15 mm	1
10	36702	CALIPER GUIDE PIN RING	∅ 30 x 40 x 19 mm	1

**352111** > CALIPER GUIDE PIN & BOOT REPAIR KIT



ELSA I

PART NO	GW NO	CONTENTS	DIMENSION	QTY.
1	36004	CALIPER GUIDE PIN	∅ 28 x 110 mm	1
2	36009	CALIPER GUIDE PIN	∅ 35 x 135 mm	1
3	36007	CALIPER GUIDE PIN BOLT	M20 x 1.5 x 150 mm	1
4	36208	CALIPER GUIDE PIN BOOT	-	2
5	36308	CALIPER GUIDE PIN RUBBER BUSHING	∅ 28.5 x 40 x 27 mm	1
6	36305	CALIPER GUIDE PIN BUSHING	∅ 35 x 39 x 30 mm	2
7	36408	CALIPER GUIDE PIN CAP	∅ 44 x 28 mm	2
8	36708	CALIPER GUIDE PIN RING	∅ 36/37 x 39 x 15 mm	1
9	36702	CALIPER GUIDE PIN RING	∅ 30 x 40 x 19 mm	1

MOX003

**352105** > CALIPER GUIDE PIN & BOOT REPAIR KIT



ELSA I / ELSA I RADIAL

PART NO	GW NO	CONTENTS	DIMENSION	QTY.
1	36005	CALIPER GUIDE PIN	∅ 35 x 72 mm	1
2	36009	CALIPER GUIDE PIN	∅ 35 x 135 mm	1
3	36007	CALIPER GUIDE PIN BOLT	M20 x 1.5 x 150 mm	1
4	36008	CALIPER GUIDE PIN BOLT	M20 x 1.5 x 88 mm	1
5	36208	CALIPER GUIDE PIN BOOT	-	2
6	36204	CALIPER MECHANISM BOOT	-	2
7	36305	CALIPER GUIDE PIN BUSHING	∅ 35 x 39 x 30 mm	2
8	36307	CALIPER GUIDE PIN BUSHING	∅ 35-37 x 40 x 33 mm	1
9	36408	CALIPER GUIDE PIN CAP	∅ 44 x 28 mm	2
10	36708	CALIPER GUIDE PIN RING	∅ 36/37 x 39 x 15 mm	1
11	36705	CALIPER GUIDE PIN RING	∅ 37 x 48 x 14 mm	1
12	36700	CALIPER GUIDE PIN RING	∅ 48 x 37 x 14 mm	2

**352106** > CALIPER GUIDE PIN & BOOT REPAIR KIT

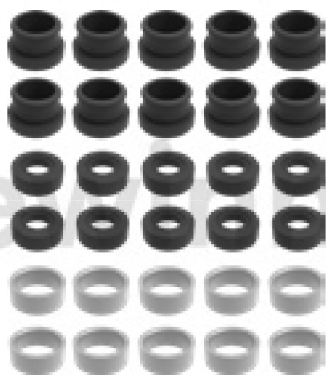


ELSA I / ELSA I RADIAL

PART NO	GW NO	CONTENTS	DIMENSION	QTY.
1	36005	CALIPER GUIDE PIN	∅ 35 x 72 mm	1
2	36009	CALIPER GUIDE PIN	∅ 35 x 135 mm	1
3	36007	CALIPER GUIDE PIN BOLT	M20 x 1.5 x 150 mm	1
4	36008	CALIPER GUIDE PIN BOLT	M20 x 1.5 x 88 mm	1
5	36208	CALIPER GUIDE PIN BOOT	-	2
6	36305	CALIPER GUIDE PIN BUSHING	∅ 35 x 39 x 30 mm	2
7	36307	CALIPER GUIDE PIN BUSHING	∅ 35-37 x 40 x 33 mm	1
8	36408	CALIPER GUIDE PIN CAP	∅ 44 x 28 mm	2
9	36708	CALIPER GUIDE PIN RING	∅ 36-37 x 39 x 15 mm	1
10	36705	CALIPER GUIDE PIN RING	∅ 37 x 48 x 14 mm	1
11	36700	CALIPER GUIDE PIN RING	∅ 48 x 37 x 14 mm	2

MOX002  
ST052

**370123** > CALIPER ADJUSTING MECHANISM CAP & SEAL SET



ELSA 1

683 223 00 PK10

**370121** > CALIPER ADJUSTING MECHANISM CAP & SEAL SET



ELSA 1

**361132** > CALIPER COVER BOLT SET



ELSA 1

PART NO	GW NO	CONTENTS	DIMENSION	QTY.
1	36103	CALIPER COVER BOLT	M6 x 15 x 55 mm	4

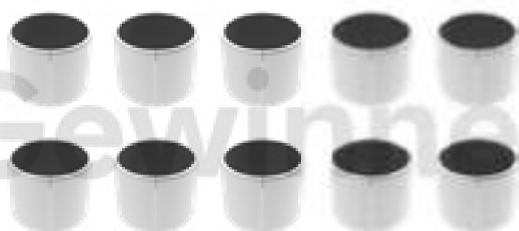
**361133** > CALIPER COVER BOLT SET



ELSA 1

PART NO	GW NO	CONTENTS	DIMENSION	QTY.
1	36104	CALIPER COVER BOLT	M6 x 14,5 x 90 mm	7

**359101** > CALIPER GUIDE PIN BUSHING SET



ELSA 1

PART NO	GW NO	CONTENTS	DIMENSION	QTY.
1	36205	CALIPER GUIDE PIN BUSHING	Ø 35 x 39 x 30 mm	10

**350116** > CALIPER BOOT SET



ELSA 1

PART NO	GW NO	CONTENTS	DIMENSION	QTY.
1	36200	CALIPER GUIDE PIN BOOT	-	2
2	36204	CALIPER MECHANISM BOOT	-	2

**350110** > CALIPER BOOT SET



ELSA 1

PART NO	GW NO	CONTENTS	DIMENSION	QTY.
1	36203	CALIPER GUIDE PIN BOOT	-	2

**350103** > CALIPER BOOT SET



ELSA 1

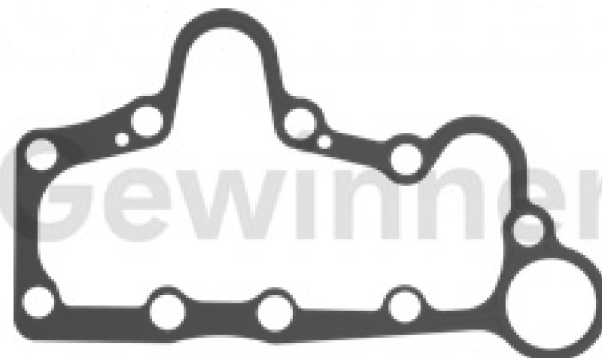
PART NO	GW NO	CONTENTS	DIMENSION	QTY.
1	36204	CALIPER MECHANISM BOOT	-	2

**371102** >> CALIPER COVER GASKET



ELSA 1

**371103** >> CALIPER COVER GASKET



ELSA 1

**371104** >> CALIPER COVER GASKET



ELSA 1

**311105** >> CALIPER ADJUSTING GEAR LOCKING SHIM



ELSA 1

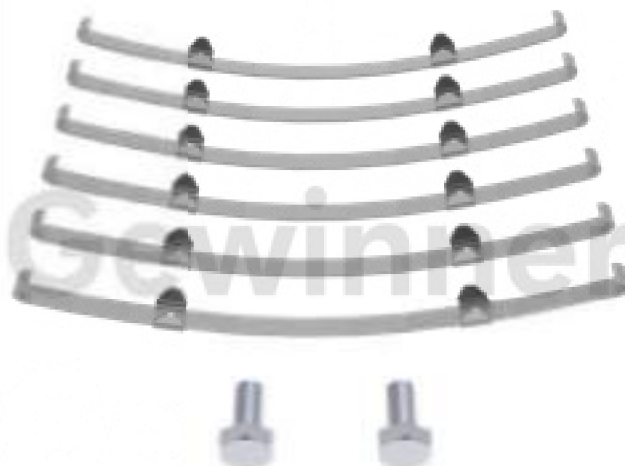
**311135** >> CALIPER BRAKE PAD RETAINER KIT



ELSA 1

MCK1262

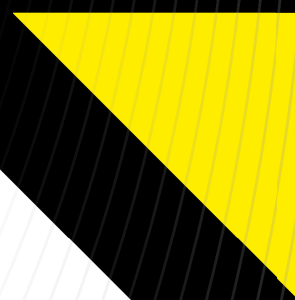
**311126** >> CALIPER BRAKE PAD SPRING KIT



ELSA 1

ME4100

[www.gewinnerbrake.com](http://www.gewinnerbrake.com)



ELSA 2  
& ELSA 2 RADIAL

*for*  
**MERITOR**

**ELSA 2**  
**ELSA 2 RADIAL**



BRAKE  
CALIPER  
REPAIR KITS

**301432 > CALIPER COMPLETE REPAIR SET -R**



RENAULT PREMIUM / MAGNUM  
RENAULT BUS ARES  
MAN TGA / F2000 / L2000 /  
M2000 / MAN BUS LION'S CITY  
/ LION'S CLASSIC  
NEOPLAN CENTROLINE  
VAN HOOB BUS

**ELSA 2**

PART NO	GW NO	CONTENTS	DIMENSION	QTY.
1	301102	CALIPER ADJUSTING MECHANISM SET	-	1
2	303401	CALIPER MANUEL ADJUSTING GEAR -R	-	1
3	307104	CALIPER BEARING SADDLE SET	-	1
4	307123	CALIPER LEVER SET	-	1
5	308105	CALIPER NEEDLE BEARING SET	-	1
6	311120	CALIPER BRAKE PAD RETAINER SET	-	1
7	341108	BRAKE PAD INDICATOR	-	1
8	352119	CALIPER GUIDE PIN REPAIR KIT	-	1
9	356106	CALIPER RUBBER CAP SET	-	1
10	370116	BRAKE CHAMBER SEAL	-	1

**301532 > CALIPER COMPLETE REPAIR SET -L**



RENAULT PREMIUM / MAGNUM  
RENAULT BUS ARES  
MAN TGA / F2000 / L2000 /  
M2000 / MAN BUS LION'S CITY  
/ LION'S CLASSIC  
NEOPLAN CENTROLINE  
VAN HOOB BUS

**ELSA 2**

PART NO	GW NO	CONTENTS	DIMENSION	QTY.
1	301102	CALIPER ADJUSTING MECHANISM SET	-	1
2	303540	CALIPER MANUEL ADJUSTING GEAR -L	-	1
3	307104	CALIPER BEARING SADDLE SET	-	1
4	307123	CALIPER LEVER SET	-	1
5	308105	CALIPER NEEDLE BEARING SET	-	1
6	311120	CALIPER BRAKE PAD RETAINER SET	-	1
7	341108	BRAKE PAD INDICATOR	-	1
8	352119	CALIPER GUIDE PIN REPAIR KIT	-	1
9	356106	CALIPER RUBBER CAP SET	-	1
10	370116	BRAKE CHAMBER SEAL	-	1

**301433 >** CALIPER COMPLETE REPAIR SET -R

RENAULT 420 (OLD MODEL)



ELSA 2

PART NO	GW NO	CONTENTS	DIMENSION	QTY.
1	301102	CALIPER ADJUSTING MECHANISM SET	-	1
2	303401	CALIPER MANUEL ADJUSTING GEAR -R	-	1
3	307104	CALIPER BEARING SADDLE SET	-	1
4	308104	CALIPER BEARING SET	-	1
5	341108	BRAKE PAD INDICATOR	-	1
6	352119	CALIPER GUIDE PIN REPAIR KIT	-	1
7	356106	CALIPER RUBBER CAP SET	-	1
8	370116	BRAKE CHAMBER SEAL	-	1

**301533 >** CALIPER COMPLETE REPAIR SET -L

RENAULT 420 (OLD MODEL)



ELSA 2

PART NO	GW NO	CONTENTS	DIMENSION	QTY.
1	301102	CALIPER ADJUSTING MECHANISM SET	-	1
2	303501	CALIPER MANUEL ADJUSTING GEAR -L	-	1
3	307104	CALIPER BEARING SADDLE SET	-	1
4	308104	CALIPER BEARING SET	-	1
5	341108	BRAKE PAD INDICATOR	-	1
6	352119	CALIPER GUIDE PIN REPAIR KIT	-	1
7	356106	CALIPER RUBBER CAP SET	-	1
8	370116	BRAKE CHAMBER SEAL	-	1

ELSA 2  
& ELSA 2 RADIAL

**301414 > CALIPER COMPLETE REPAIR SET -R**



**ELSA 2 RADIAL**

PART NO	GW NO	CONTENTS	DIMENSION	QTY.
1	301104	CALIPER ADJUSTING MECHANISM SET	-	1
2	303401	CALIPER MANUEL ADJUSTING GEAR -R	-	1
3	307104	CALIPER BEARING SADDLE SET	-	1
4	307132	CALIPER LEVER SET	-	1
5	308105	CALIPER NEEDLE BEARING SET	-	1
6	311120	CALIPER BRAKE PAD RETAINER SET	-	1
7	341108	BRAKE PAD INDICATOR	-	1
8	352117	CALIPER GUIDE PIN REPAIR KIT	-	1
9	356106	CALIPER RUBBER CAP SET	-	1
10	370116	BRAKE CHAMBER SEAL	-	1

**301514 > CALIPER COMPLETE REPAIR SET -L**



**ELSA 2 RADIAL**

PART NO	GW NO	CONTENTS	DIMENSION	QTY.
1	301104	CALIPER ADJUSTING MECHANISM SET	-	1
2	303501	CALIPER MANUEL ADJUSTING GEAR -L	-	1
3	307104	CALIPER BEARING SADDLE SET	-	1
4	307132	CALIPER LEVER SET	-	1
5	308105	CALIPER NEEDLE BEARING SET	-	1
6	311120	CALIPER BRAKE PAD RETAINER SET	-	1
7	341108	BRAKE PAD INDICATOR	-	1
8	352117	CALIPER GUIDE PIN REPAIR KIT	-	1
9	356106	CALIPER RUBBER CAP SET	-	1
10	370116	BRAKE CHAMBER SEAL	-	1

**301415** > CALIPER COMPLETE REPAIR SET -R



ELSA 2 RADIAL

PART NO	GW NO	CONTENTS	DIMENSION	QTY.
1	301104	CALIPER ADJUSTING MECHANISM SET	-	1
2	303401	CALIPER MANUEL ADJUSTING GEAR -R	-	1
3	307104	CALIPER BEARING SADDLE SET	-	1
4	308115	CALIPER BEARING SET	-	1
5	341108	BRAKE PAD INDICATOR	-	1
6	352117	CALIPER GUIDE PIN REPAIR KIT	-	1
7	356106	CALIPER RUBBER CAP SET	-	1
8	370116	BRAKE CHAMBER SEAL	-	1

**301515** > CALIPER COMPLETE REPAIR SET -L



ELSA 2 RADIAL

PART NO	GW NO	CONTENTS	DIMENSION	QTY.
1	301104	CALIPER ADJUSTING MECHANISM SET	-	1
2	303501	CALIPER MANUEL ADJUSTING GEAR -L	-	1
3	307104	CALIPER BEARING SADDLE SET	-	1
4	308115	CALIPER BEARING SET	-	1
5	341108	BRAKE PAD INDICATOR	-	1
6	352117	CALIPER GUIDE PIN REPAIR KIT	-	1
7	356106	CALIPER RUBBER CAP SET	-	1
8	370116	BRAKE CHAMBER SEAL	-	1

ELSA 2  
& ELSA 2 RADIAL

**301101** > CALIPER ADJUSTING MECHANISM SET  
[with BUSHING]



ELSA 2

PART NO.	GM NO.	CONTENTS	DIMENSION	QTY.
1	302101	CALIPER ADJUSTING MECHANISM	-	1
2	303101	CALIPER ADJUSTING GEAR SET	49.5 mm	2
3	301001	CALIPER ADJUSTING MECHANISM COVER	with BUSHING	1
4	361201	CALIPER ADJUSTING MECHANISM COVER BOLT	M8 x 1.25 x 45 mm	8
5	362105	CALIPER TAPPET BOOT	-	2
6	371101	CALIPER ADJUSTING MECHANISM COVER GASKET	-	1

**301102** > CALIPER ADJUSTING MECHANISM SET  
[with BEARING]



ELSA 2 / ELSA 2 RADIAL

PART NO.	GM NO.	CONTENTS	DIMENSION	QTY.
1	302101	CALIPER ADJUSTING MECHANISM	-	1
2	303101	CALIPER ADJUSTING GEAR SET	49.5 mm	2
3	301001	CALIPER ADJUSTING MECHANISM COVER	with BEARING	1
4	361201	CALIPER ADJUSTING MECHANISM COVER BOLT	M8 x 1.25 x 45 mm	8
5	362105	CALIPER TAPPET BOOT	-	2
6	371101	CALIPER ADJUSTING MECHANISM COVER GASKET	-	1

**301106** > CALIPER ADJUSTING MECHANISM SET  
[with BUSHING]



ELSA 2 / ELSA 2 RADIAL

PART NO.	GM NO.	CONTENTS	DIMENSION	QTY.
1	302101	CALIPER ADJUSTING MECHANISM	-	1
2	303101	CALIPER ADJUSTING GEAR SET	49.5 mm	2
3	301001	CALIPER ADJUSTING MECHANISM COVER	with BUSHING	1
4	361201	CALIPER ADJUSTING MECHANISM COVER BOLT	M8 x 1.25 x 45 mm	8
5	362105	CALIPER TAPPET BOOT	-	2
6	371101	CALIPER ADJUSTING MECHANISM COVER GASKET	-	1

**301117** > CALIPER ADJUSTING MECHANISM SET  
[with BEARING]



ELSA 2 / ELSA 2 RADIAL

PART NO.	GM NO.	CONTENTS	DIMENSION	QTY.
1	302101	CALIPER ADJUSTING MECHANISM	-	1
2	303101	CALIPER ADJUSTING GEAR SET	49.5 mm	2
3	301001	CALIPER ADJUSTING MECHANISM COVER	with BEARING	1
4	361201	CALIPER ADJUSTING MECHANISM COVER BOLT	M8 x 1.25 x 45 mm	8
5	362105	CALIPER TAPPET BOOT	-	2
6	371101	CALIPER ADJUSTING MECHANISM COVER GASKET	-	1

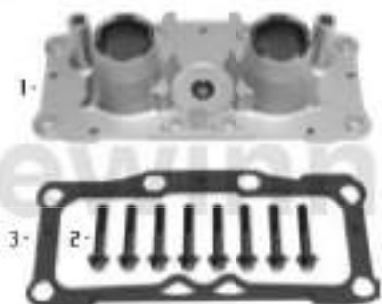
**301104** > CALIPER ADJUSTING MECHANISM SET  
[with BUSHING]



ELSA 2 RADIAL

PART NO.	GM NO.	CONTENTS	DIMENSION	QTY.
1	302103	CALIPER ADJUSTING MECHANISM	-	1
2	303102	CALIPER ADJUSTING GEAR SET	47 mm	2
3	301001	CALIPER ADJUSTING MECHANISM COVER	with BUSHING	1
4	361201	CALIPER ADJUSTING MECHANISM COVER BOLT	M8 x 1.25 x 45 mm	8
5	362105	CALIPER TAPPET BOOT	-	2
6	371117	CALIPER ADJUSTING MECHANISM COVER GASKET	-	1

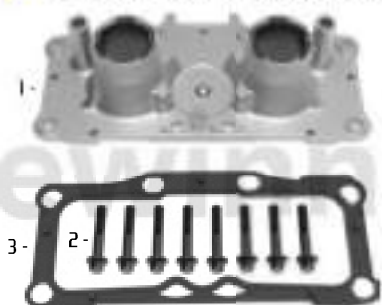
**310102** > CALIPER ADJUSTING MECHANISM COVER SET [with BUSHING]



ELSA 2

PART NO	GAN NO	CONTENTS	DIMENSION	QTY.
1	31010	CALIPER ADJUSTING MECHANISM COVER	with BUSHING	1
2	36120	CALIPER ADJUSTING MECHANISM COVER BOLT	M8 x 1,25 x 45 mm	8
3	37001	CALIPER ADJUSTING MECHANISM COVER GASKET	-	1

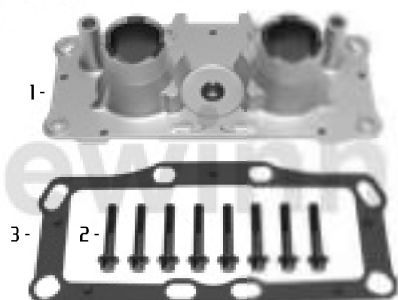
**310104** > CALIPER ADJUSTING MECHANISM COVER SET [with BEARING]



ELSA 2 / ELSA 2 RADIAL

PART NO	GAN NO	CONTENTS	DIMENSION	QTY.
1	31013	CALIPER ADJUSTING MECHANISM COVER	with BEARING	1
2	36120	CALIPER ADJUSTING MECHANISM COVER BOLT	M8 x 1,25 x 45 mm	8
3	37001	CALIPER ADJUSTING MECHANISM COVER GASKET	-	1

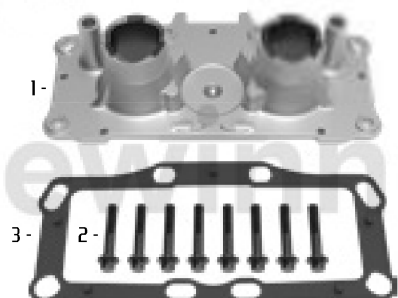
**310110** > CALIPER ADJUSTING MECHANISM COVER SET [with BUSHING]



ELSA 2 / ELSA 2 RADIAL

PART NO	GAN NO	CONTENTS	DIMENSION	QTY.
1	31013	CALIPER ADJUSTING MECHANISM COVER	with BUSHING	1
2	36120	CALIPER ADJUSTING MECHANISM COVER BOLT	M8 x 1,25 x 45 mm	8
3	37001	CALIPER ADJUSTING MECHANISM COVER GASKET	-	1

**310111** > CALIPER ADJUSTING MECHANISM COVER SET [with BEARING]



ELSA 2 / ELSA 2 RADIAL

PART NO	GAN NO	CONTENTS	DIMENSION	QTY.
1	31014	CALIPER ADJUSTING MECHANISM COVER	with BEARING	1
2	36120	CALIPER ADJUSTING MECHANISM COVER BOLT	M8 x 1,25 x 45 mm	8
3	37018	CALIPER ADJUSTING MECHANISM COVER GASKET	-	1

**310108** > CALIPER ADJUSTING MECHANISM COVER SET [with BUSHING]



ELSA 2 RADIAL

PART NO	GAN NO	CONTENTS	DIMENSION	QTY.
1	31015	CALIPER ADJUSTING MECHANISM COVER	with BUSHING	1
2	36120	CALIPER ADJUSTING MECHANISM COVER BOLT	M8 x 1,25 x 45 mm	8
3	37017	CALIPER ADJUSTING MECHANISM COVER GASKET	-	1

**303109** > CALIPER ADJUSTING GEAR SET 49.5 mm



ELSA 2 / ELSA 2 RADIAL

**303113** > CALIPER ADJUSTING GEAR SET 47 mm



ELSA 2 RADIAL

**303101** > CALIPER ADJUSTING GEAR SET 49.5 mm



ELSA 2 / ELSA 2 RADIAL

**303112** > CALIPER ADJUSTING GEAR SET 47 mm



ELSA 2 RADIAL

**302101** > CALIPER ADJUSTING MECHANISM



ELSA 2 / ELSA 2 RADIAL

**302108** > CALIPER ADJUSTING MECHANISM



ELSA 2 RADIAL

**303501** > CALIPER MANUEL ADJUSTING GEAR -L



ELSA 2 / ELSA 2 RADIAL

**303401** > CALIPER MANUEL ADJUSTING GEAR -R



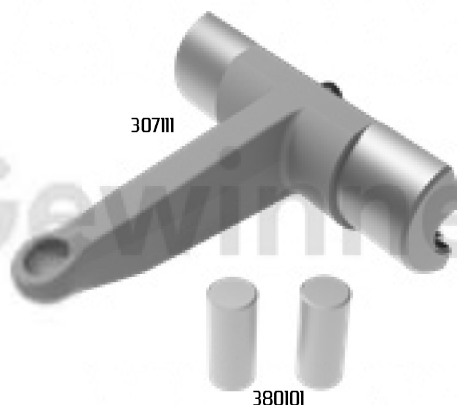
ELSA 2 / ELSA 2 RADIAL

**307123** >> CALIPER LEVER SET



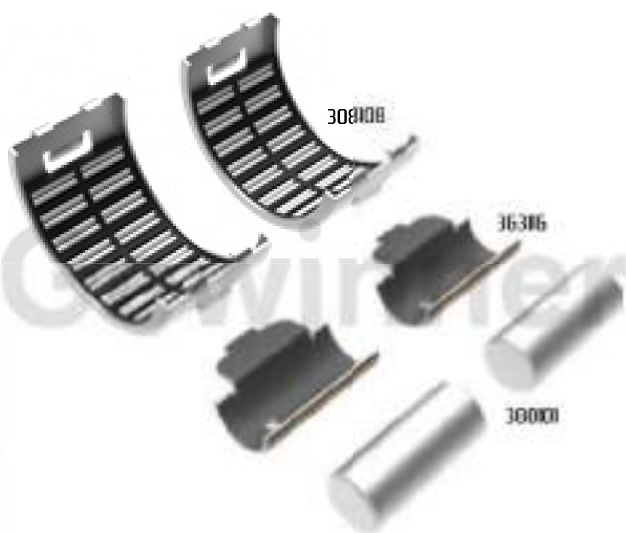
ELSA 2

**307132** >> CALIPER LEVER SET



ELSA 2 RADIAL

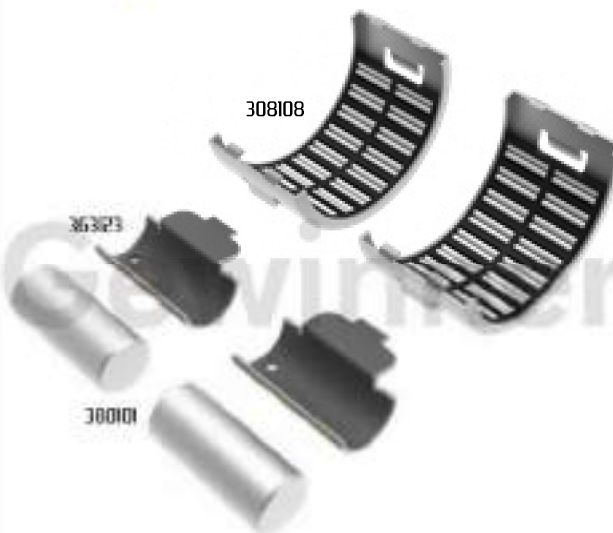
**308104** >> CALIPER BEARING SET



ELSA 2

S34102

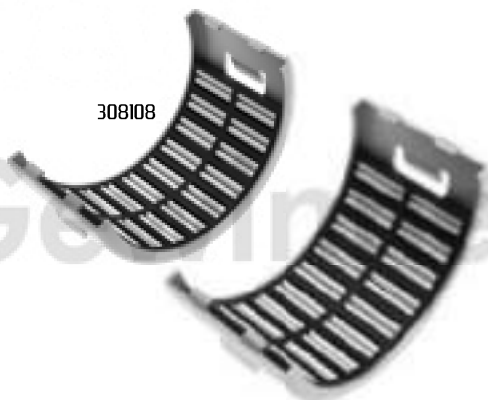
**308115** >> CALIPER BEARING SET



ELSA 2 RADIAL

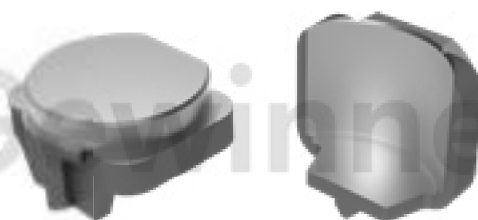
S34098

**308105** >> CALIPER NEEDLE BEARING SET



ELSA 2 / ELSA 2 RADIAL

**307104** >> CALIPER BEARING SADDLE SET



ELSA 2 / ELSA 2 RADIAL

ELSA 2  
& ELSA 2 RADIAL

**352101 > CALIPER GUIDE PIN REPAIR KIT**



**ELSA 2**

PART NO	GW NO	CONTENTS	DIMENSION	QTY.
1	36000	CALIPER GUIDE PIN	Ø 31 x 84 mm	1
2	36000	CALIPER GUIDE PIN	Ø 35 x 144 mm	1
3	36103	CALIPER GUIDE PIN BOLT	M18 x 1.5 x 90 mm	1
4	36106	CALIPER GUIDE PIN BOLT	M18 x 1.5 x 150 mm	1
5	36202	CALIPER GUIDE PIN BOOT	-	2
6	36205	CALIPER TAPPET BOOT	-	2
7	36302	CALIPER GUIDE PIN BUSHING (INSIDE : RUBBER)	Ø 31-32 x 42 x 45 mm	1
8	36305	CALIPER GUIDE PIN BUSHING	Ø 39 x 35 x 30 mm	2
9	36400	CALIPER GUIDE PIN CAP	Ø 44 x 28 mm	2
10	36702	CALIPER GUIDE PIN RING	Ø 42 x 37 x 14 mm	1

**352102 > CALIPER GUIDE PIN REPAIR KIT**



**ELSA 2**

PART NO	GW NO	CONTENTS	DIMENSION	QTY.
1	36000	CALIPER GUIDE PIN	Ø 31 x 84 mm	1
2	36000	CALIPER GUIDE PIN	Ø 35 x 144 mm	1
3	36202	CALIPER GUIDE PIN BOOT	-	2
4	36205	CALIPER TAPPET BOOT	-	2
5	36302	CALIPER GUIDE PIN BUSHING (INSIDE : RUBBER)	Ø 31-32 x 42 x 45 mm	1
6	36305	CALIPER GUIDE PIN BUSHING	Ø 39 x 35 x 30 mm	2
7	36400	CALIPER GUIDE PIN CAP	Ø 44 x 28 mm	2
8	36704	CALIPER GUIDE PIN RING	Ø 42 x 37 x 14 mm	1

**352103 > CALIPER GUIDE PIN REPAIR KIT**



**ELSA 2**

PART NO	GW NO	CONTENTS	DIMENSION	QTY.
1	36000	CALIPER GUIDE PIN	Ø 31 x 84 mm	1
2	36000	CALIPER GUIDE PIN	Ø 35 x 144 mm	1
3	36103	CALIPER GUIDE PIN BOLT	M18 x 1.5 x 90 mm	1
4	36106	CALIPER GUIDE PIN BOLT	M18 x 1.5 x 150 mm	1
5	36202	CALIPER GUIDE PIN BOOT	-	2
6	36302	CALIPER GUIDE PIN BUSHING (INSIDE : RUBBER)	Ø 31-32 x 42 x 45 mm	1
7	36305	CALIPER GUIDE PIN BUSHING	Ø 39 x 35 x 30 mm	2
8	36400	CALIPER GUIDE PIN CAP	Ø 44 x 28 mm	2
9	36704	CALIPER GUIDE PIN RING	Ø 42 x 37 x 14 mm	1

MCK289

**352119 > CALIPER GUIDE PIN REPAIR KIT**

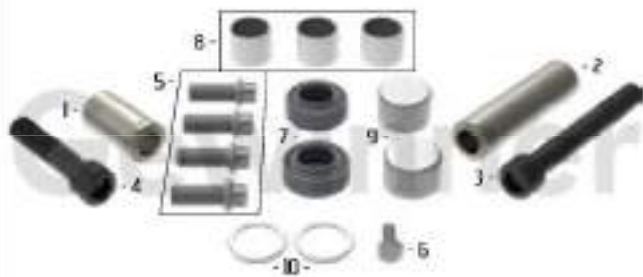


**ELSA 2**

PART NO	GW NO	CONTENTS	DIMENSION	QTY.
1	36000	CALIPER GUIDE PIN	Ø 31 x 84 mm	1
2	36000	CALIPER GUIDE PIN	Ø 35 x 144 mm	1
3	36103	CALIPER GUIDE PIN BOLT	M18 x 1.5 x 90 mm	1
4	36106	CALIPER GUIDE PIN BOLT	M18 x 1.5 x 150 mm	1
5	36104	CALIPER BRIDGE BOLT	M16 x 1.5 x 40 mm	4
6	36106	CALIPER BRAKE PAD HOLDER BOLT	M10 x 1.25 x 20 mm	1
7	36202	CALIPER GUIDE PIN BOOT	-	2
8	36305	CALIPER GUIDE PIN BUSHING	Ø 39 x 35 x 30 mm	2
9	36303	TYN BUSHING (FULLY CIRCULAR INTERNAL)	Ø 42 x 31 x 30 mm	1
10	36400	CALIPER GUIDE PIN CAP	Ø 44 x 28 mm	2
11	36704	CALIPER GUIDE PIN RING	Ø 42 x 37 x 14 mm	2

MCK243  
MCK140

**352117** > CALIPER GUIDE PIN REPAIR KIT



MEK1086

ELSA 2 / ELSA 2 RADIAL

PART NO	GW NO	CONTENTS	DIMENSION	QTY.
1	36202	CALIPER GUIDE PIN	∅ 33 - 35 x 66 mm	1
2	36203	CALIPER GUIDE PIN	∅ 35 x 128 mm	1
3	36207	CALIPER GUIDE PIN BOLT	M20 x 1.5 x 150 mm	1
4	36208	CALIPER GUIDE PIN BOLT	M20 x 1.5 x 90 mm	1
5	36204	CALIPER BRIDGE BOLT	M16 x 1.5 x 40 mm	4
6	36226	CALIPER BRAKE PAD HOLDER BOLT	M10 x 1.25 x 20 mm	1
7	36202	CALIPER GUIDE PIN BOOT	-	2
8	36205	CALIPER GUIDE PIN BUSHING	∅ 39 x 35 x 30 mm	3
9	36408	CALIPER GUIDE PIN CAP	∅ 44 x 28 mm	2
10	36207	CALIPER GUIDE PIN BOOT RING	∅ 43 x 35 x 2.5 mm	2

**352118** > CALIPER GUIDE PIN REPAIR KIT



ELSA 2 / ELSA 2 RADIAL

PART NO	GW NO	CONTENTS	DIMENSION	QTY.
1	36202	CALIPER GUIDE PIN	∅ 33 - 35 x 66 mm	1
2	36203	CALIPER GUIDE PIN	∅ 35 x 128 mm	1
3	36207	CALIPER GUIDE PIN BOLT	M20 x 1.5 x 150 mm	1
4	36208	CALIPER GUIDE PIN BOLT	M20 x 1.5 x 90 mm	1
5	36204	CALIPER BRIDGE BOLT	M16 x 1.5 x 40 mm	4
6	36226	CALIPER BRAKE PAD HOLDER BOLT	M10 x 1.25 x 20 mm	1
7	36202	CALIPER GUIDE PIN BOOT	-	2
8	36205	CALIPER TAPPET BOOT	-	2
9	36205	CALIPER GUIDE PIN BUSHING	∅ 39 x 35 x 30 mm	3
10	36408	CALIPER GUIDE PIN CAP	∅ 44 x 28 mm	2
11	36207	CALIPER GUIDE PIN BOOT RING	∅ 43 x 35 x 2.5 mm	2

**352125** > CALIPER BOOT & CAP REPAIR KIT



MEK1244

ELSA 2 / ELSA 2 RADIAL

PART NO	GW NO	CONTENTS	DIMENSION	QTY.
1	36204	CALIPER BRIDGE BOLT	M16 x 1.5 x 40 mm	4
2	36202	CALIPER GUIDE PIN BOOT	-	2
3	36205	CALIPER TAPPET BOOT	-	2
4	36407	CALIPER HEAD CAP (RUBBER)	-	1
5	36408	CALIPER GUIDE PIN CAP	∅ 44 x 28 mm	2
6	36803	O-RING	-	2
7	37080	BRAKE CHAMBER CAP	-	1

**352142** > CALIPER BOOT & CAP REPAIR KIT



MEK1087

ELSA 2 / ELSA 2 RADIAL

PART NO	GW NO	CONTENTS	DIMENSION	QTY.
1	36204	CALIPER BRIDGE BOLT	M16 x 1.5 x 40 mm	4
2	36226	CALIPER BRAKE PAD HOLDER BOLT	M10 x 1.25 x 20 mm	1
3	36202	CALIPER GUIDE PIN BOOT	-	2
4	36408	CALIPER GUIDE PIN CAP	∅ 44 x 28 mm	2

ELSA 2  
& ELSA 2 RADIAL

**350117 >** CALIPER BOOT & CAP REPAIR KIT



ELSA 2 / ELSA 2 RADIAL

PART NO	GW NO	CONTENTS	DIMENSION	QTY.
1	36202	CALIPER GUIDE PIN BOOT	-	2
2	36205	CALIPER TAPPET BOOT	-	2
3	36407	CALIPER HEAD CAP (RUBBER)	-	1
4	36803	O RING	-	2
5	37016	BRAKE CHAMBER SEAL	-	1

MCK0088

**350108 >** CALIPER TAPPET & BOOT REPAIR KIT



ELSA 2 / ELSA 2 RADIAL

MCK0089

**350107 >** CALIPER TAPPET & BOOT REPAIR KIT



ELSA 2 / ELSA 2 RADIAL

**350119 >** CALIPER BOOT SET



ELSA 2 / ELSA 2 RADIAL

683 249 54 PK00

PART NO	GW NO	CONTENTS	DIMENSION	QTY.
1	36205	CALIPER TAPPET BOOT	-	10

**350115 >** CALIPER BOOT SET



ELSA 2 / ELSA 2 RADIAL

PART NO	GW NO	CONTENTS	DIMENSION	QTY.
1	36202	CALIPER GUIDE PIN BOOT	-	2
2	36205	CALIPER TAPPET BOOT	-	2

**350101 >** CALIPER BOOT SET



ELSA 2 / ELSA 2 RADIAL

MCK139

PART NO	GW NO	CONTENTS	DIMENSION	QTY.
1	36205	CALIPER TAPPET BOOT	-	2

**350109 >** CALIPER BOOT SET



ELSA 2 / ELSA 2 RADIAL

PART NO	GW NO	CONTENTS	DIMENSION	QTY.
1	36202	CALIPER GUIDE PIN BOOT	-	2

ELSA 2  
& ELSA 2 RADIAL

**371113** > CALIPER BOOT & GASKET SET



ELSA 2 / ELSA 2 RADIAL

**371101** > CALIPER ADJUSTING MECHANISM COVER GASKET



ELSA 2 / ELSA 2 RADIAL

**371117** > CALIPER ADJUSTING MECHANISM COVER GASKET



ELSA 2 RADIAL

**371118** > CALIPER ADJUSTING MECHANISM COVER GASKET



ELSA 2 / ELSA 2 RADIAL

**370102** > CALIPER BUSHING & SEAL SET



ELSA 2 / ELSA 2 RADIAL

**356106** > CALIPER CAP SET



ELSA 2 / ELSA 2 RADIAL

**356105** > CALIPER CAP SET



ELSA 2 / ELSA 2 RADIAL

**364107** > CALIPER HEAD CAP (RUBBER)



ELSA 2 / ELSA 2 RADIAL

ELSA 2  
& ELSA 2 RADIAL

**370118 > BRAKE CHAMBER SEAL SET**



ELSA 2 / ELSA 2 RADIAL

PART NO.	GW NO.	CONTENTS	DIMENSION	QTY.
1	370118	BRAKE CHAMBER SEAL SET	-	10

**370116 > BRAKE CHAMBER SEAL**



ELSA 2 / ELSA 2 RADIAL

**370110 > BRAKE CHAMBER SEAL**



ELSA 2 / ELSA 2 RADIAL

**363102 > CALIPER GUIDE PIN BUSHING [INSIDE : RUBBER] Ø 31-32 x 42 x 45 mm**



ELSA 2 / ELSA 2 RADIAL

**359101 > CALIPER GUIDE PIN BUSHING SET**



ELSA 2 / ELSA 2 RADIAL

PART NO.	GW NO.	CONTENTS	DIMENSION	QTY.
1	363105	CALIPER GUIDE PIN BUSHING	Ø 39 x 35 x 30 mm	10

**363105 > CALIPER GUIDE PIN BUSHING Ø 39 x 35 x 30 mm**



ELSA 2 / ELSA 2 RADIAL

ELSA 2  
& ELSA 2 RADIAL

**341105** > BRAKE PAD INDICATOR SET



ELSA 2 / ELSA 2 RADIAL

MCK1240

**341108** > BRAKE PAD INDICATOR SET



ELSA 2 / ELSA 2 RADIAL

**311120** > CALIPER BRAKE PAD RETAINER KIT



ELSA 2 / ELSA 2 RADIAL

MCK1174

**311127** > CALIPER BRAKE PAD SPRING SET



ELSA 2 / ELSA 2 RADIAL

MBA105



BRAKE  
CALIPER  
REPAIR KITS



*for*  
**MERITOR**

**ELSA195  
ELSA225  
ELSA225 RADIAL**

**301109 > CALIPER COMPLETE REPAIR SET**

VOLVO FH12  
VOLVO FM12  
ROR Axle LM / LMC / TA



ELSA 195 / ELSA 225

PART NO	GW NO	CONTENTS	DIMENSION	QTY.
1	301103	CALIPER ADJUSTING MECHANISM SET	-	1
2	303103	CALIPER MANUEL ADJUSTING GEAR	-	1
3	307104	CALIPER BEARING SADDLE SET	-	1
4	307121	CALIPER LEVER SET	-	1
5	308105	CALIPER NEEDLE BEARING SET	-	1
6	311120	CALIPER BRAKE PAD RETAINER SET	-	1
7	341104	BRAKE PAD INDICATOR	-	1
8	352121	CALIPER GUIDE PIN REPAIR KIT	-	1
9	356106	CALIPER RUBBER CAP SET	-	1
10	370110	BRAKE CHAMBER SEAL	-	1

**301112 > CALIPER COMPLETE REPAIR SET**

RENAULT PREMIUM 440



ELSA 195 / ELSA 225

PART NO	GW NO	CONTENTS	DIMENSION	QTY.
1	301103	CALIPER ADJUSTING MECHANISM SET	-	1
2	303403	CALIPER MANUEL ADJUSTING GEAR -L-R	-	1
3	307104	CALIPER BEARING SADDLE SET	-	1
4	308104	CALIPER BEARING SET	-	1
5	341104	BRAKE PAD INDICATOR	-	1
6	352145	CALIPER GUIDE PIN REPAIR KIT	-	1
7	356106	CALIPER RUBBER CAP SET	-	1
8	370116	BRAKE CHAMBER SEAL	-	1

ELSA 195 & ELSA 225  
& ELSA 225 RADIAL

**301110 > CALIPER COMPLETE REPAIR SET**

VOLVO FH12  
VOLVO FM12  
ROR Axle LM / LMC / TA



ELSA 225

PART NO	GW NO	CONTENTS	DIMENSION	QTY.
1	301103	CALIPER ADJUSTING MECHANISM SET	-	1
2	303403	CALIPER MANUEL ADJUSTING GEAR -L -R	-	1
3	307104	CALIPER BEARING SADDLE SET	-	1
4	307131	CALIPER LEVER SET	-	1
5	308105	CALIPER NEEDLE BEARING SET	-	1
6	311120	CALIPER BRAKE PAD RETAINER SET	-	1
7	341104	BRAKE PAD INDICATOR	-	1
8	352121	CALIPER GUIDE PIN REPAIR KIT	-	1
9	356106	CALIPER RUBBER CAP SET	-	1
10	370110	BRAKE CHAMBER SEAL	-	1

**301111 > CALIPER COMPLETE REPAIR SET**

SCRNAL / P / 6 / 8 / 5 Series



ELSA 225

PART NO	GW NO	CONTENTS	DIMENSION	QTY.
1	301103	CALIPER ADJUSTING MECHANISM SET	-	1
2	303403	CALIPER MANUEL ADJUSTING GEAR -L -R	-	1
3	307104	CALIPER BEARING SADDLE SET	-	1
4	307124	CALIPER LEVER SET	-	1
5	308105	CALIPER NEEDLE BEARING SET	-	1
6	341104	BRAKE PAD INDICATOR	-	1
7	352121	CALIPER GUIDE PIN REPAIR KIT	-	1
8	356106	CALIPER RUBBER CAP SET	-	1
9	370110	BRAKE CHAMBER SEAL	-	1

**301107 > CALIPER COMPLETE REPAIR SET**



VOLVO TRUCK FH12 / FM12  
VOLVO BUS B7R / B9R / B12R / B12M  
RENAULT TRUCK Front

**ELSA 225 RADIAL**

PART NO	GW NO	CONTENTS	DIMENSION	QTY.
1	301103	CALIPER ADJUSTING MECHANISM SET	-	1
2	303403	CALIPER MANUEL ADJUSTING GEAR -L -R	-	1
3	307104	CALIPER BEARING SADDLE SET	-	1
4	307122	CALIPER LEVER SET	-	1
5	308105	CALIPER NEEDLE BEARING SET	-	1
6	311120	CALIPER BRAKE PAD RETAINER SET	-	1
7	341104	BRAKE PAD INDICATOR	-	1
8	352124	CALIPER GUIDE PIN REPAIR KIT	-	1
9	356106	CALIPER RUBBER CAP SET	-	1
10	370110	BRAKE CHAMBER SEAL	-	1

**301119 > CALIPER COMPLETE REPAIR SET**



VOLVO TRUCK FH12 / FM12  
VOLVO BUS B7R / B9R / B12R / B12M  
RENAULT TRUCK Front

**ELSA 225 RADIAL**

PART NO	GW NO	CONTENTS	DIMENSION	QTY.
1	301103	CALIPER ADJUSTING MECHANISM SET	-	1
2	303403	CALIPER MANUEL ADJUSTING GEAR -L -R	-	1
3	307104	CALIPER BEARING SADDLE SET	-	1
4	308105	CALIPER NEEDLE BEARING SET	-	1
5	311120	CALIPER BRAKE PAD RETAINER SET	-	1
6	341104	BRAKE PAD INDICATOR	-	1
7	352124	CALIPER GUIDE PIN REPAIR KIT	-	1
8	356106	CALIPER RUBBER CAP SET	-	1
9	370110	BRAKE CHAMBER SEAL	-	1

ELSA 195 & ELSA 225  
& ELSA 225 RADIAL

**301103** > CALIPER ADJUSTING MECHANISM SET  
(with BEARING)



371111



361125



ELSA 195 / ELSA 225

**310106** > CALIPER ADJUSTING MECHANISM COVER SET  
(with BEARING)

310105



371111



361125



ELSA 195 / ELSA 225

**301118** > CALIPER ADJUSTING MECHANISM SET  
(with BUSHING)



371111



361125



ELSA 195 / ELSA 225

**310107** > CALIPER ADJUSTING MECHANISM COVER SET  
(with BUSHING)

310112



371111



361125

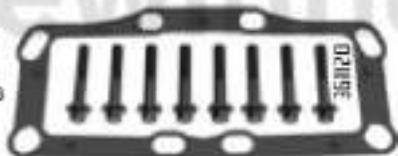


ELSA 195 / ELSA 225

**301106** > CALIPER ADJUSTING MECHANISM SET  
(with BUSHING)



371118



361120

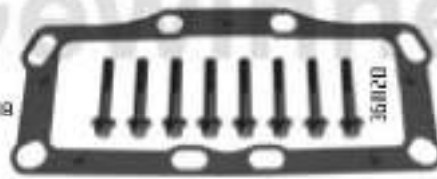
ELSA 195 / ELSA 225 / ELSA 225 RADIAL

**310110** > CALIPER ADJUSTING MECHANISM COVER SET  
(with BUSHING)

310113



371118



361120

ELSA 195 / ELSA 225 / ELSA 225 RADIAL

**301117** > CALIPER ADJUSTING MECHANISM SET  
(with BEARING)



371118

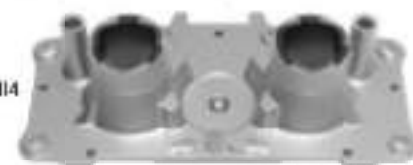


361120

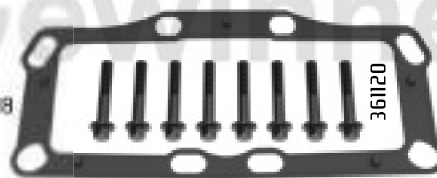
ELSA 195 / ELSA 225 / ELSA 225 RADIAL

**310111** > CALIPER ADJUSTING MECHANISM COVER SET  
(with BEARING)

310114



371118



361120

ELSA 195 / ELSA 225 / ELSA 225 RADIAL

ELSA 195 & ELSA 225  
& ELSA 225 RADIAL

**303109** > CALIPER ADJUSTING GEAR SET 49.5 mm

ELSA 195 / ELSA 225 / ELSA 225 RADIAL

**303101** > CALIPER ADJUSTING GEAR SET 49.5 mm

ELSA 195 / ELSA 225 / ELSA 225 RADIAL

**302101** > CALIPER ADJUSTING MECHANISM

ELSA 195 / ELSA 225 / ELSA 225 RADIAL

**303103** > CALIPER MANUEL ADJUSTING GEAR -L -R (OLD MODEL)

ELSA 195

**303403** > CALIPER MANUEL ADJUSTING GEAR -L -R

ELSA 195 / ELSA 225 / ELSA 225 RADIAL

**307121** > CALIPER LEVER SET



ELSA 195 / ELSA 225

**307124** > CALIPER LEVER SET



ELSA 225

**307125** > CALIPER LEVER SET



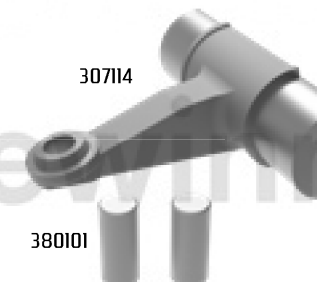
ELSA 225

**307131** > CALIPER LEVER SET



ELSA 225

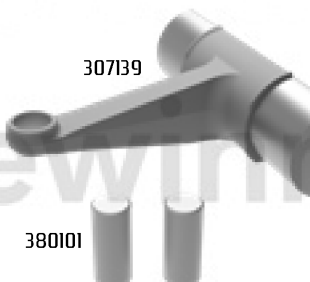
**307122** > CALIPER LEVER SET



ELSA 225 RADIAL

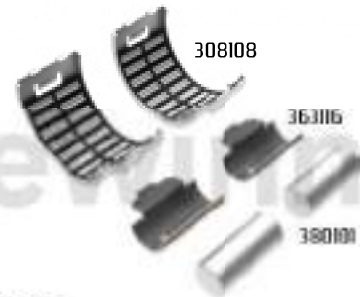
**307140** > CALIPER LEVER SET

IVECO TYPE



ELSA 225 RADIAL

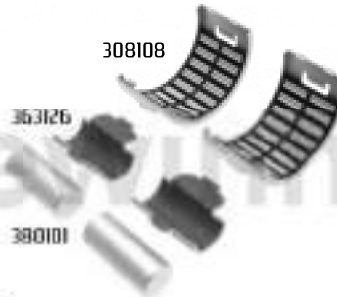
**308104** > CALIPER BEARING SET



ELSA 195 / ELSA 225

534112

**308116** > CALIPER BEARING SET



ELSA 225 RADIAL

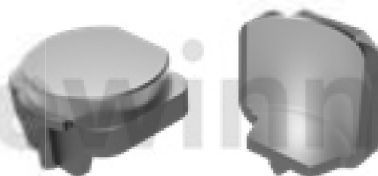
534093

**308105** > CALIPER NEEDLE BEARING SET



ELSA 195 / ELSA 225 / ELSA 225 RADIAL

**307104** > CALIPER BEARING SADDLE SET



ELSA 195 / ELSA 225 / ELSA 225 RADIAL

ELSA 195 & ELSA 225  
& ELSA 225 RADIAL

**352120 > CALIPER GUIDE PIN REPAIR KIT**



MOX1254

ELSA 195 / ELSA 225

PART NO	GW NO	CONTENTS	DIMENSION	QTY.
1	36084	CALIPER GUIDE PIN	Ø 31 x 78 mm	1
2	36087	CALIPER GUIDE PIN	Ø 35 x 117 mm	1
3	36161	CALIPER GUIDE PIN BOLT (SOCKET HEAD CAP)	M18 x 1.5 x 120 mm	1
4	36162	CALIPER GUIDE PIN BOLT (SOCKET HEAD CAP)	M18 x 1.5 x 80 mm	1
5	36121	CALIPER BRIDGE BOLT	M14 x 1.5 x 40 mm	4
6	36202	CALIPER GUIDE PIN BOOT	-	2
7	36305	CALIPER GUIDE PIN BUSHING	Ø 39 x 35 x 30 mm	2
8	36303	PIN BUSHING (FULLY CIRCULAR INTERNAL)	Ø 42 x 31 x 30 mm	1
9	36403	CALIPER GUIDE PIN CAP	Ø 44 x 17 mm	2
10	36706	CALIPER GUIDE PIN RING	Ø 40 x 37 x 11 mm	2

**352152 > CALIPER GUIDE PIN REPAIR KIT**



MOX1254

ELSA 195 / ELSA 225

PART NO	GW NO	CONTENTS	DIMENSION	QTY.
1	36084	CALIPER GUIDE PIN	Ø 31 x 78 mm	1
2	36087	CALIPER GUIDE PIN	Ø 35 x 117 mm	1
3	36151	CALIPER GUIDE PIN BOLT (HEXALOBULAR SOCKET)	M18 x 1.5 x 120 mm	1
4	36154	CALIPER GUIDE PIN BOLT (HEXALOBULAR SOCKET)	M18 x 1.5 x 80 mm	1
5	36121	CALIPER BRIDGE BOLT	M14 x 1.5 x 40 mm	4
6	36202	CALIPER GUIDE PIN BOOT	-	2
7	36305	CALIPER GUIDE PIN BUSHING	Ø 39 x 35 x 30 mm	2
8	36303	PIN BUSHING (FULLY CIRCULAR INTERNAL)	Ø 42 x 31 x 30 mm	1
9	36403	CALIPER GUIDE PIN CAP	Ø 44 x 17 mm	2
10	36706	CALIPER GUIDE PIN RING	Ø 40 x 37 x 11 mm	2

**352121 > CALIPER GUIDE PIN REPAIR KIT**



MOX1254

ELSA 195 / ELSA 225

PART NO	GW NO	CONTENTS	DIMENSION	QTY.
1	36084	CALIPER GUIDE PIN	Ø 31 x 78 mm	1
2	36087	CALIPER GUIDE PIN	Ø 35 x 117 mm	1
3	36161	CALIPER GUIDE PIN BOLT (SOCKET HEAD CAP)	M18 x 1.5 x 120 mm	1
4	36162	CALIPER GUIDE PIN BOLT (SOCKET HEAD CAP)	M18 x 1.5 x 80 mm	1
5	36121	CALIPER BRIDGE BOLT	M14 x 1.5 x 40 mm	4
6	36202	CALIPER GUIDE PIN BOOT	-	2
7	36305	CALIPER GUIDE PIN BUSHING	Ø 39 x 35 x 30 mm	2
8	36304	PIN BUSHING (OVAL INTERNAL PROFILE)	Ø 42/31-33 x 30 mm	1
9	36403	CALIPER GUIDE PIN CAP	Ø 44 x 17 mm	2
10	36706	CALIPER GUIDE PIN RING	Ø 40 x 37 x 11 mm	2

**352153 > CALIPER GUIDE PIN REPAIR KIT**



MOX1254

ELSA 195 / ELSA 225

PART NO	GW NO	CONTENTS	DIMENSION	QTY.
1	36084	CALIPER GUIDE PIN	Ø 31 x 78 mm	1
2	36087	CALIPER GUIDE PIN	Ø 35 x 117 mm	1
3	36151	CALIPER GUIDE PIN BOLT (HEXALOBULAR SOCKET)	M18 x 1.5 x 120 mm	1
4	36154	CALIPER GUIDE PIN BOLT (HEXALOBULAR SOCKET)	M18 x 1.5 x 80 mm	1
5	36121	CALIPER BRIDGE BOLT	M14 x 1.5 x 40 mm	4
6	36202	CALIPER GUIDE PIN BOOT	-	2
7	36305	CALIPER GUIDE PIN BUSHING	Ø 39 x 35 x 30 mm	2
8	36304	PIN BUSHING (OVAL INTERNAL PROFILE)	Ø 42/31-33 x 30 mm	1
9	36403	CALIPER GUIDE PIN CAP	Ø 44 x 17 mm	2
10	36706	CALIPER GUIDE PIN RING	Ø 40 x 37 x 11 mm	2

**352116** > CALIPER GUIDE PIN REPAIR KIT



ELSA 195 / ELSA 225

PART NO	GW NO	CONTENTS	DIMENSION	QTY.
1	362004	CALIPER GUIDE PIN	∅ 31 x 78 mm	1
2	362017	CALIPER GUIDE PIN	∅ 35 x 117 mm	1
3	362121	CALIPER GUIDE PIN BOLT (SOCKET HEAD CAP)	M18 x 1.5 x 120 mm	1
4	362122	CALIPER GUIDE PIN BOLT (SOCKET HEAD CAP)	M18 x 1.5 x 80 mm	1
5	362004	CALIPER BRIDGE BOLT	M16 x 1.5 x 40 mm	4
6	362102	CALIPER GUIDE PIN BOOT	-	2
7	363005	CALIPER GUIDE PIN BUSHING	∅ 39 x 35 x 30 mm	2
8	363103	PIN BUSHING (FULLY CIRCULAR INTERNAL)	∅ 42 x 31 x 30 mm	1
9	364003	CALIPER GUIDE PIN CAP	∅ 44 x 17 mm	2
10	367006	CALIPER GUIDE PIN RING	∅ 40 x 37 x 11 mm	2

NCK323

**352154** > CALIPER GUIDE PIN REPAIR KIT



ELSA 195 / ELSA 225

PART NO	GW NO	CONTENTS	DIMENSION	QTY.
1	362004	CALIPER GUIDE PIN	∅ 31 x 78 mm	1
2	362017	CALIPER GUIDE PIN	∅ 35 x 117 mm	1
3	362153	CALIPER GUIDE PIN BOLT (HEXALOBULAR SOCKET)	M18 x 1.5 x 120 mm	1
4	362154	CALIPER GUIDE PIN BOLT (HEXALOBULAR SOCKET)	M18 x 1.5 x 80 mm	1
5	362004	CALIPER BRIDGE BOLT	M16 x 1.5 x 40 mm	4
6	362102	CALIPER GUIDE PIN BOOT	-	2
7	363005	CALIPER GUIDE PIN BUSHING	∅ 39 x 35 x 30 mm	2
8	363103	PIN BUSHING (FULLY CIRCULAR INTERNAL)	∅ 42 x 31 x 30 mm	1
9	364003	CALIPER GUIDE PIN CAP	∅ 44 x 17 mm	2
10	367006	CALIPER GUIDE PIN RING	∅ 40 x 37 x 11 mm	2

NCK323

**352145** > CALIPER GUIDE PIN REPAIR KIT



ELSA 195 / ELSA 225

PART NO	GW NO	CONTENTS	DIMENSION	QTY.
1	362004	CALIPER GUIDE PIN	∅ 31 x 78 mm	1
2	362017	CALIPER GUIDE PIN	∅ 35 x 117 mm	1
3	362121	CALIPER GUIDE PIN BOLT (SOCKET HEAD CAP)	M18 x 1.5 x 120 mm	1
4	362122	CALIPER GUIDE PIN BOLT (SOCKET HEAD CAP)	M18 x 1.5 x 80 mm	1
5	362004	CALIPER BRIDGE BOLT	M16 x 1.5 x 40 mm	4
6	362102	CALIPER GUIDE PIN BOOT	-	2
7	363005	CALIPER GUIDE PIN BUSHING	∅ 39 x 35 x 30 mm	2
8	363134	PIN BUSHING (OVAL INTERNAL PROFILE)	∅ 42/31-33 x 30 mm	1
9	364003	CALIPER GUIDE PIN CAP	∅ 44 x 17 mm	2
10	367006	CALIPER GUIDE PIN RING	∅ 40 x 37 x 11 mm	2

NCK323

**352155** > CALIPER GUIDE PIN REPAIR KIT



ELSA 195 / ELSA 225

PART NO	GW NO	CONTENTS	DIMENSION	QTY.
1	362004	CALIPER GUIDE PIN	∅ 31 x 78 mm	1
2	362017	CALIPER GUIDE PIN	∅ 35 x 117 mm	1
3	362153	CALIPER GUIDE PIN BOLT (HEXALOBULAR SOCKET)	M18 x 1.5 x 120 mm	1
4	362154	CALIPER GUIDE PIN BOLT (HEXALOBULAR SOCKET)	M18 x 1.5 x 80 mm	1
5	362004	CALIPER BRIDGE BOLT	M16 x 1.5 x 40 mm	4
6	362102	CALIPER GUIDE PIN BOOT	-	2
7	363005	CALIPER GUIDE PIN BUSHING	∅ 39 x 35 x 30 mm	2
8	363134	PIN BUSHING (OVAL INTERNAL PROFILE)	∅ 42/31-33 x 30 mm	1
9	364003	CALIPER GUIDE PIN CAP	∅ 44 x 17 mm	2
10	367006	CALIPER GUIDE PIN RING	∅ 40 x 37 x 11 mm	2

NCK323

ELSA 195 & ELSA 225  
& ELSA 225 RADIAL

**352135 > CALIPER GUIDE PIN REPAIR KIT**



MCK1298

ELSA 195 / ELSA 225

PART NO	GW NO	CONTENTS	DIMENSION	QTY.
1	36005	CALIPER GUIDE PIN	Ø 31 x 78 mm	1
2	36008	CALIPER GUIDE PIN	Ø 35 x 117 mm	1
3	36121	CALIPER GUIDE PIN BOLT (SOCKET HEAD CAP)	M18 x 1.5 x 120 mm	1
4	36122	CALIPER GUIDE PIN BOLT (SOCKET HEAD CAP)	M18 x 1.5 x 80 mm	1
5	36104	CALIPER BRIDGE BOLT	M16 x 1.5 x 40 mm	4
6	36123	CALIPER BRIDGE BOLT	M14 x 1.5 x 40 mm	4
7	362102	CALIPER GUIDE PIN BOOT	-	2
8	363105	CALIPER GUIDE PIN BUSHING	Ø 39 x 35 x 30 mm	2
9	363113	PIN BUSHING (FULLY CIRCULAR INTERNAL)	Ø 42 x 31 x 30 mm	1
10	364113	CALIPER GUIDE PIN CAP	Ø 44 x 17 mm	2
11	367106	CALIPER GUIDE PIN RING	Ø 40 x 37 x 11 mm	2

**352156 > CALIPER GUIDE PIN REPAIR KIT**



MCK298

ELSA 195 / ELSA 225

PART NO	GW NO	CONTENTS	DIMENSION	QTY.
1	360115	CALIPER GUIDE PIN	Ø 31 x 78 mm	1
2	36008	CALIPER GUIDE PIN	Ø 35 x 117 mm	1
3	36123	CALIPER GUIDE PIN BOLT (HEXALOBULAR SOCKET)	M18 x 1.5 x 120 mm	1
4	36124	CALIPER GUIDE PIN BOLT (HEXALOBULAR SOCKET)	M18 x 1.5 x 80 mm	1
5	36104	CALIPER BRIDGE BOLT	M16 x 1.5 x 40 mm	4
6	36123	CALIPER BRIDGE BOLT	M14 x 1.5 x 40 mm	4
7	362102	CALIPER GUIDE PIN BOOT	-	2
8	363105	CALIPER GUIDE PIN BUSHING	Ø 39 x 35 x 30 mm	2
9	363113	PIN BUSHING (FULLY CIRCULAR INTERNAL)	Ø 42 x 31 x 30 mm	1
10	364113	CALIPER GUIDE PIN CAP	Ø 44 x 17 mm	2
11	367106	CALIPER GUIDE PIN RING	Ø 40 x 37 x 11 mm	2

**352123 > CALIPER GUIDE PIN REPAIR KIT**



MCK298

ELSA 195 / ELSA 225

PART NO	GW NO	CONTENTS	DIMENSION	QTY.
1	36005	CALIPER GUIDE PIN	Ø 31 x 78 mm	1
2	36008	CALIPER GUIDE PIN	Ø 35 x 117 mm	1
3	36121	CALIPER GUIDE PIN BOLT (SOCKET HEAD CAP)	M18 x 1.5 x 120 mm	1
4	36122	CALIPER GUIDE PIN BOLT (SOCKET HEAD CAP)	M18 x 1.5 x 80 mm	1
5	36104	CALIPER BRIDGE BOLT	M16 x 1.5 x 40 mm	4
6	36123	CALIPER BRIDGE BOLT	M14 x 1.5 x 40 mm	4
7	362102	CALIPER GUIDE PIN BOOT	-	2
8	363105	CALIPER GUIDE PIN BUSHING	Ø 39 x 35 x 30 mm	2
9	363114	PIN BUSHING (OVAL INTERNAL PROFILE)	Ø 42/31-33 x 30 mm	1
10	364113	CALIPER GUIDE PIN CAP	Ø 44 x 17 mm	2
11	367106	CALIPER GUIDE PIN RING	Ø 40 x 37 x 11 mm	2

**352157 > CALIPER GUIDE PIN REPAIR KIT**



MCK1298

ELSA 195 / ELSA 225

PART NO	GW NO	CONTENTS	DIMENSION	QTY.
1	36005	CALIPER GUIDE PIN	Ø 31 x 78 mm	1
2	36008	CALIPER GUIDE PIN	Ø 35 x 117 mm	1
3	36123	CALIPER GUIDE PIN BOLT (HEXALOBULAR SOCKET)	M18 x 1.5 x 120 mm	1
4	36124	CALIPER GUIDE PIN BOLT (HEXALOBULAR SOCKET)	M18 x 1.5 x 80 mm	1
5	36104	CALIPER BRIDGE BOLT	M16 x 1.5 x 40 mm	4
6	36123	CALIPER BRIDGE BOLT	M14 x 1.5 x 40 mm	4
7	362102	CALIPER GUIDE PIN BOOT	-	2
8	363105	CALIPER GUIDE PIN BUSHING	Ø 39 x 35 x 30 mm	2
9	363134	PIN BUSHING (OVAL INTERNAL PROFILE)	Ø 42/31-33 x 30 mm	1
10	364113	CALIPER GUIDE PIN CAP	Ø 44 x 17 mm	2
11	367106	CALIPER GUIDE PIN RING	Ø 40 x 37 x 11 mm	2

**352148** > CALIPER GUIDE PIN REPAIR KIT



MCK317

ELSA 225 RADIAL

PART NO	GW NO	CONTENTS	DIMENSION	QTY.
1	362006	CALIPER GUIDE PIN	∅ 31 x 117 mm	1
2	362008	CALIPER GUIDE PIN	∅ 35 x 117 mm	1
3	362021	CALIPER GUIDE PIN BOLT (SOCKET HEAD CAP)	M18 x 1.5 x 120 mm	2
4	362004	CALIPER BRIDGE BOLT	M16 x 1.5 x 40 mm	4
5	362002	CALIPER GUIDE PIN BOOT	-	2
6	363005	CALIPER GUIDE PIN BUSHING	∅ 39 x 35 x 30 mm	2
7	363003	PIN BUSHING (FULLY CIRCULAR INTERNAL)	∅ 42 x 31 x 30 mm	2
8	364003	CALIPER GUIDE PIN CAP	∅ 44 x 17 mm	2
9	367006	CALIPER GUIDE PIN RING	∅ 40 x 37 x 11 mm	2

**352158** > CALIPER GUIDE PIN REPAIR KIT



MCK317

ELSA 225 RADIAL

PART NO	GW NO	CONTENTS	DIMENSION	QTY.
1	362006	CALIPER GUIDE PIN	∅ 31 x 117 mm	1
2	362008	CALIPER GUIDE PIN	∅ 35 x 117 mm	1
3	362053	CALIPER GUIDE PIN BOLT (HEXLOBULAR SOCKET)	M18 x 1.5 x 120 mm	2
4	362004	CALIPER BRIDGE BOLT	M16 x 1.5 x 40 mm	4
5	362002	CALIPER GUIDE PIN BOOT	-	2
6	363005	CALIPER GUIDE PIN BUSHING	∅ 39 x 35 x 30 mm	2
7	363003	PIN BUSHING (FULLY CIRCULAR INTERNAL)	∅ 42 x 31 x 30 mm	2
8	364003	CALIPER GUIDE PIN CAP	∅ 44 x 17 mm	2
9	367006	CALIPER GUIDE PIN RING	∅ 40 x 37 x 11 mm	2

**352124** > CALIPER GUIDE PIN REPAIR KIT



MCK317

ELSA 225 RADIAL

PART NO	GW NO	CONTENTS	DIMENSION	QTY.
1	362006	CALIPER GUIDE PIN	∅ 31 x 117 mm	1
2	362008	CALIPER GUIDE PIN	∅ 35 x 117 mm	1
3	362021	CALIPER GUIDE PIN BOLT (SOCKET HEAD CAP)	M18 x 1.5 x 120 mm	2
4	362004	CALIPER BRIDGE BOLT	M16 x 1.5 x 40 mm	4
5	362002	CALIPER GUIDE PIN BOOT	-	2
6	363005	CALIPER GUIDE PIN BUSHING	∅ 39 x 35 x 30 mm	2
7	363034	PIN BUSHING (OVAL INTERNAL PROFILE)	∅ 42/31-33 x 30 mm	2
8	364003	CALIPER GUIDE PIN CAP	∅ 44 x 17 mm	2
9	367006	CALIPER GUIDE PIN RING	∅ 40 x 37 x 11 mm	2

**352159** > CALIPER GUIDE PIN REPAIR KIT



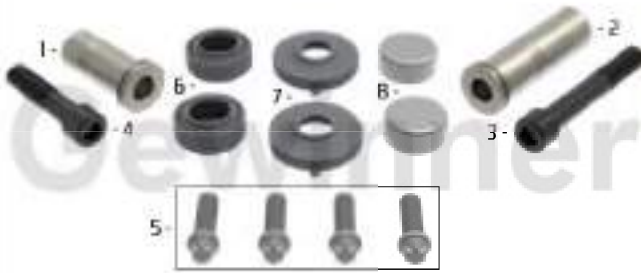
MCK317

ELSA 225 RADIAL

PART NO	GW NO	CONTENTS	DIMENSION	QTY.
1	362006	CALIPER GUIDE PIN	∅ 31 x 117 mm	1
2	362008	CALIPER GUIDE PIN	∅ 35 x 117 mm	1
3	362053	CALIPER GUIDE PIN BOLT (HEXLOBULAR SOCKET)	M18 x 1.5 x 120 mm	2
4	362004	CALIPER BRIDGE BOLT	M16 x 1.5 x 40 mm	4
5	362002	CALIPER GUIDE PIN BOOT	-	2
6	363005	CALIPER GUIDE PIN BUSHING	∅ 39 x 35 x 30 mm	2
7	363034	PIN BUSHING (OVAL INTERNAL PROFILE)	∅ 42/31-33 x 30 mm	2
8	364003	CALIPER GUIDE PIN CAP	∅ 44 x 17 mm	2
9	367006	CALIPER GUIDE PIN RING	∅ 40 x 37 x 11 mm	2

ELSA 195 & ELSA 225  
& ELSA 225 RADIAL

**352133** > CALIPER GUIDE PIN REPAIR KIT

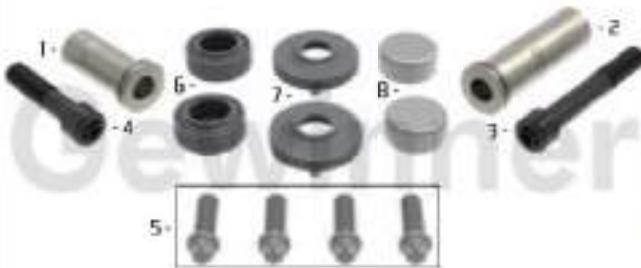


ELSA 195 / ELSA 225

PART NO.	GW NO.	CONTENTS	DIMENSION	QTY.
1	36005	CALIPER GUIDE PIN	Ø 31 x 78 mm	1
2	36008	CALIPER GUIDE PIN	Ø 35 x 117 mm	1
3	36023	CALIPER GUIDE PIN BOLT (SOCKET HEAD CAP)	M18 x 1.5 x 120 mm	1
4	36022	CALIPER GUIDE PIN BOLT (SOCKET HEAD CAP)	M18 x 1.5 x 80 mm	1
5	36114	CALIPER BRIDGE BOLT	M16 x 1.5 x 40 mm	4
6	362102	CALIPER GUIDE PIN BOOT	-	2
7	362105	CALIPER TAPPET BOOT	-	2
8	36413	CALIPER GUIDE PIN CAP	Ø 44 x 17 mm	2

KIT225200

**352160** > CALIPER GUIDE PIN REPAIR KIT



ELSA 195 / ELSA 225

PART NO.	GW NO.	CONTENTS	DIMENSION	QTY.
1	36005	CALIPER GUIDE PIN	Ø 31 x 78 mm	1
2	36008	CALIPER GUIDE PIN	Ø 35 x 117 mm	1
3	36053	CALIPER GUIDE PIN BOLT (HEXALOBULAR SOCKET)	M18 x 1.5 x 120 mm	1
4	36054	CALIPER GUIDE PIN BOLT (HEXALOBULAR SOCKET)	M18 x 1.5 x 80 mm	1
5	36114	CALIPER BRIDGE BOLT	M16 x 1.5 x 40 mm	4
6	362102	CALIPER GUIDE PIN BOOT	-	2
7	362105	CALIPER TAPPET BOOT	-	2
8	36403	CALIPER GUIDE PIN CAP	Ø 44 x 17 mm	2

KIT225200

**352161** > CALIPER GUIDE PIN REPAIR KIT

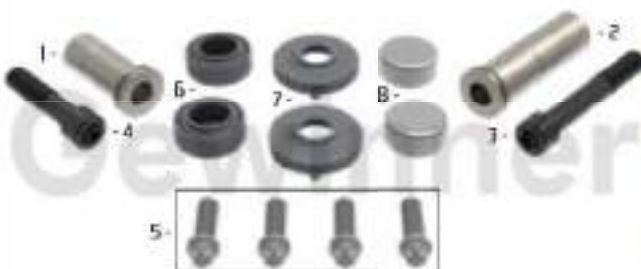


ELSA 195 / ELSA 225

PART NO.	GW NO.	CONTENTS	DIMENSION	QTY.
1	36004	CALIPER GUIDE PIN	Ø 31 x 78 mm	1
2	36007	CALIPER GUIDE PIN	Ø 35 x 117 mm	1
3	36023	CALIPER GUIDE PIN BOLT (SOCKET HEAD CAP)	M18 x 1.5 x 120 mm	1
4	36022	CALIPER GUIDE PIN BOLT (SOCKET HEAD CAP)	M18 x 1.5 x 80 mm	1
5	36114	CALIPER BRIDGE BOLT	M16 x 1.5 x 40 mm	4
6	362102	CALIPER GUIDE PIN BOOT	-	2
7	362105	CALIPER TAPPET BOOT	-	2
8	36403	CALIPER GUIDE PIN CAP	Ø 44 x 17 mm	2

KIT225266

**352162** > CALIPER GUIDE PIN REPAIR KIT



ELSA 195 / ELSA 225

PART NO.	GW NO.	CONTENTS	DIMENSION	QTY.
1	36004	CALIPER GUIDE PIN	Ø 31 x 78 mm	1
2	36007	CALIPER GUIDE PIN	Ø 35 x 117 mm	1
3	36053	CALIPER GUIDE PIN BOLT (HEXALOBULAR SOCKET)	M18 x 1.5 x 120 mm	1
4	36054	CALIPER GUIDE PIN BOLT (HEXALOBULAR SOCKET)	M18 x 1.5 x 80 mm	1
5	36114	CALIPER BRIDGE BOLT	M16 x 1.5 x 40 mm	4
6	362102	CALIPER GUIDE PIN BOOT	-	2
7	362105	CALIPER TAPPET BOOT	-	2
8	36403	CALIPER GUIDE PIN CAP	Ø 44 x 17 mm	2

KIT225266

**352144** > CALIPER GUIDE PIN REPAIR KIT



ELSA 195 / ELSA 225

PART NO	GW NO	CONTENTS	DIMENSION	QTY.
1	36015	CALIPER GUIDE PIN	∅ 31 x 78 mm	1
2	36022	CALIPER GUIDE PIN BOLT (SOCKET HEAD CAP)	M18 x 1.5 x 80 mm	1
3	36026	BRAKE PAD RETAINER BOLT	M10 x 1.25 x 20 mm	1
4	36202	CALIPER GUIDE PIN BOOT	-	2
5	36205	CALIPER TAPPET BOOT	-	2
6	36403	CALIPER GUIDE PIN CAP	∅ 44 x 17 mm	1
7	36706	CALIPER GUIDE PIN RING	∅ 40 x 37 x 11 mm	1

KIT225233

**352163** > CALIPER GUIDE PIN REPAIR KIT

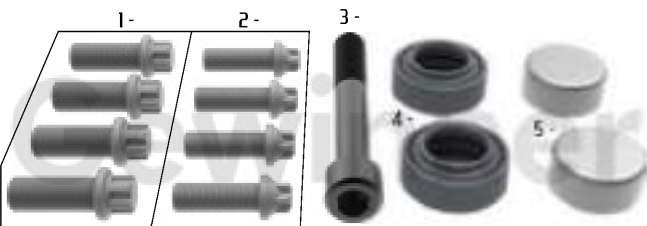


ELSA 195 / ELSA 225

PART NO	GW NO	CONTENTS	DIMENSION	QTY.
1	36015	CALIPER GUIDE PIN	∅ 31 x 78 mm	1
2	36054	CALIPER GUIDE PIN BOLT (HEXALOBULAR SOCKET)	M18 x 1.5 x 80 mm	1
3	36026	BRAKE PAD RETAINER BOLT	M10 x 1.25 x 20 mm	1
4	36202	CALIPER GUIDE PIN BOOT	-	2
5	36205	CALIPER TAPPET BOOT	-	2
6	36403	CALIPER GUIDE PIN CAP	∅ 44 x 17 mm	1
7	36706	CALIPER GUIDE PIN RING	∅ 40 x 37 x 11 mm	1

KIT225233

**352128** > CALIPER BOOT & BOLT REPAIR KIT

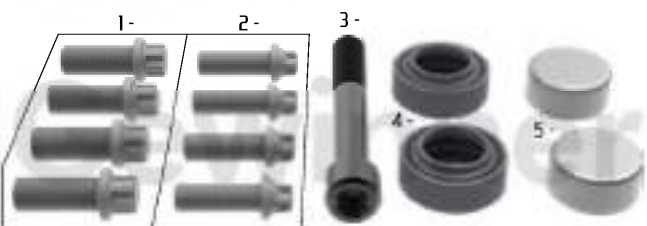


ELSA 195 / ELSA 225

PART NO	GW NO	CONTENTS	DIMENSION	QTY.
1	36014	CALIPER BRIDGE BOLT	M16 x 1.5 x 40 mm	4
2	36023	CALIPER BRIDGE BOLT	M14 x 1.5 x 40 mm	4
3	36053	CALIPER GUIDE PIN BOLT (SOCKET HEAD CAP)	M18 x 1.5 x 120 mm	1
4	36202	CALIPER GUIDE PIN BOOT	-	2
5	36403	CALIPER GUIDE PIN CAP	∅ 44 x 17 mm	2

MCK310

**352164** > CALIPER BOOT & BOLT REPAIR KIT



ELSA 195 / ELSA 225

PART NO	GW NO	CONTENTS	DIMENSION	QTY.
1	36014	CALIPER BRIDGE BOLT	M16 x 1.5 x 40 mm	4
2	36023	CALIPER BRIDGE BOLT	M14 x 1.5 x 40 mm	4
3	36053	CALIPER GUIDE PIN BOLT (HEXALOBULAR SOCKET)	M18 x 1.5 x 120 mm	1
4	36202	CALIPER GUIDE PIN BOOT	-	2
5	36403	CALIPER GUIDE PIN CAP	∅ 44 x 17 mm	2

MCK310

**352122** > CALIPER BOOT & BOLT REPAIR KIT



MDK1253

ELSA 195 / ELSA 225

PART NO.	GW NO.	CONTENTS	DIMENSION	QTY.
1	36123	CALIPER BRIDGE BOLT	M4 x 1.5 x 40 mm	4
2	36202	CALIPER GUIDE PIN BOOT	-	2
3	36403	CALIPER GUIDE PIN CAP	Ø 44 x 17 mm	2

**352134** > CALIPER BOOT & BOLT REPAIR KIT

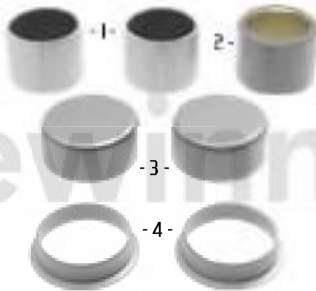


KIT225201

ELSA 195 / ELSA 225

PART NO.	GW NO.	CONTENTS	DIMENSION	QTY.
1	36123	CALIPER BRIDGE BOLT	M4 x 1.5 x 40 mm	4
2	36202	CALIPER GUIDE PIN BOOT	-	2
3	36205	CALIPER TAPPET BOOT	-	2
4	36404	CALIPER HEAD CAP (RUBBER)	-	1

**359105** > CALIPER GUIDE PIN BUSHING & CAP SET

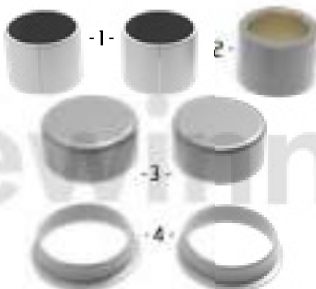


KIT225221

ELSA 195 / ELSA 225 / ELSA 225 RADIAL

PART NO.	GW NO.	CONTENTS	DIMENSION	QTY.
1	36305	CALIPER GUIDE PIN BUSHING	Ø 39 x 35 x 30 mm	2
2	36304	PIN BUSHING (OVAL INTERNAL PROFILE)	Ø 42/31-33 x 30 mm	1
3	36403	CALIPER GUIDE PIN CAP	Ø 44 x 17 mm	2
4	36706	CALIPER GUIDE PIN RING	Ø 40 x 37 x 11 mm	2

**359106** > CALIPER GUIDE PIN BUSHING & CAP SET



KIT225221

ELSA 195 / ELSA 225 / ELSA 225 RADIAL

PART NO.	GW NO.	CONTENTS	DIMENSION	QTY.
1	36305	CALIPER GUIDE PIN BUSHING	Ø 39 x 35 x 30 mm	2
2	36313	PIN BUSHING (FULLY CIRCULAR INTERNAL)	Ø 42 x 31 x 30 mm	1
3	36403	CALIPER GUIDE PIN CAP	Ø 44 x 17 mm	2
4	36706	CALIPER GUIDE PIN RING	Ø 40 x 37 x 11 mm	2

**363134** > CALIPER GUIDE PIN BUSHING (OVAL INTERNAL PROFILE) Ø 42/31-33 x 30 mm



ELSA 195 / ELSA 225 / ELSA 225 RADIAL

**363113** > CALIPER GUIDE PIN BUSHING (FULLY CIRCULAR INTERNAL) Ø 42 x 31 x 30 mm



ELSA 195 / ELSA 225 / ELSA 225 RADIAL

**350117** > CALIPER BOOT & CAP REPAIR KIT



ELSA 195 / ELSA 225 / ELSA 225 RADIAL

MCK1088

**359101** > CALIPER GUIDE PIN BUSHING SET



ELSA 195 / ELSA 225 / ELSA 225 RADIAL

**350108** > CALIPER TAPPET & BOOT REPAIR KIT



ELSA 195 / ELSA 225 / ELSA 225 RADIAL

MCK309

**350107** > CALIPER TAPPET & BOOT REPAIR KIT



ELSA 195 / ELSA 225 / ELSA 225 RADIAL

**350119** > CALIPER BOOT SET



ELSA 195 / ELSA 225 / ELSA 225 RADIAL

683 248 54 P000

**350115** > CALIPER BOOT SET



ELSA 195 / ELSA 225 / ELSA 225 RADIAL

**350101** > CALIPER BOOT SET



ELSA 195 / ELSA 225 / ELSA 225 RADIAL

MCK1039

**350109** > CALIPER BOOT SET



ELSA 195 / ELSA 225 / ELSA 225 RADIAL

ELSA 195 & ELSA 225  
& ELSA 225 RADIAL

**370102** > CALIPER BUSHING & SEAL SET

ELSA 195 / ELSA 225 / ELSA 225 RADIAL

**371111** > CALIPER ADJUSTING MECHANISM COVER GASKET

ELSA 195 / ELSA 225 / ELSA 225 RADIAL

**364118** > CALIPER SENSOR CAP SET

ELSA 195 / ELSA 225 / ELSA 225 RADIAL

MCK1352  
MST1504**356106** > CALIPER CAP SET

ELSA 195 / ELSA 225 / ELSA 225 RADIAL

**356105** > CALIPER CAP SET

ELSA 195 / ELSA 225 / ELSA 225 RADIAL

683 226 55 PK00

**364107** > CALIPER HEAD CAP (RUBBER)

ELSA 195 / ELSA 225 / ELSA 225 RADIAL

**370118** > BRAKE CHAMBER SEAL SET

ELSA 195 / ELSA 225 / ELSA 225 RADIAL

683 237 46 PK00

**370116** > BRAKE CHAMBER SEAL

ELSA 195 / ELSA 225 / ELSA 225 RADIAL

**370110** > BRAKE CHAMBER SEAL

ELSA 195 / ELSA 225 / ELSA 225 RADIAL

**364109** > CALIPER HEAD CAP (RUBBER)

ELSA 195 / ELSA 225 / ELSA 225 RADIAL

**341107** > BRAKE PAD INDICATOR SET



ELSA 195 / ELSA 225 / ELSA 225 RADIAL

KIT22507

**341105** > BRAKE PAD INDICATOR SET



ELSA 195 / ELSA 225 / ELSA 225 RADIAL

MCK1240

**341104** > BRAKE PAD INDICATOR SET



ELSA 195 / ELSA 225 / ELSA 225 RADIAL

MCK1311  
683 237 22  
683 253 36

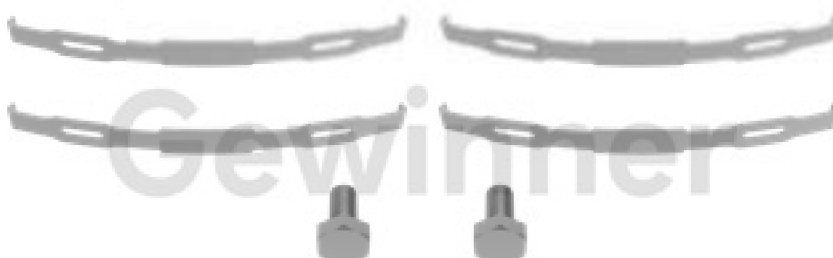
**311120** > CALIPER BRAKE PAD RETAINER KIT



ELSA 195 / ELSA 225 / ELSA 225 RADIAL

MCK1274

**311128** > CALIPER BRAKE PAD SPRING SET



ELSA 195 / ELSA 225 / ELSA 225 RADIAL

MB1112

ELSA 195 & ELSA 225  
& ELSA 225 RADIAL



BRAKE  
CALIPER  
REPAIR KITS



*for*  
**MERITOR**  
**DX175**

DX175

**301523** >> CALIPER COMPLETE REPAIR SET -L

AUTODROMO BUS



PART NO	GW. NO	CONTENTS	DIMENSION	QTY.
1	300534	CALIPER SHAFT HOUSING & PISTON SET -L	-	1
2	305006	CALIPER PRESSURE PLATE	-	1
3	307620	ECCENTRIC SHAFT COVER SET	-	1
4	308022	ECCENTRIC SHAFT BEARING	-	1
5	308123	CALIPER NEEDLE BEARING	-	1
6	31313	CALIPER ECCENTRIC SHAFT	-	1
7	315512	CALIPER ADJUSTING MECHANISM SET -L	-	1
8	341106	CALIPER STABILIZER BAR	-	1
9	351105	CALIPER GUIDE PIN REPAIR KIT	-	1
10	361502	CALIPER CALIBRATION BOLT -L	-	2
11	362125	ECCENTRIC SHAFT SEAL	-	1
12	364119	KALIPER END PLATE CAP	Ø 37 x 15 mm	1

DX175

**301423** >> CALIPER COMPLETE REPAIR SET -R

AUTODROMO BUS



PART NO	GW NO	CONTENTS	DIMENSION	QTY.
1	308134	CALIPER SHAFT HOUSING & PISTON SET -R	-	1
2	305106	CALIPER PRESSURE PLATE	-	1
3	307120	ECCENTRIC SHAFT HOUSING SET	-	1
4	308122	ECCENTRIC SHAFT BEARING	-	1
5	308123	CALIPER NEEDLE BEARING	-	1
6	303113	CALIPER ECCENTRIC SHAFT	-	1
7	315412	CALIPER ADJUSTING MECHANISM SET -R	-	1
8	341106	CALIPER STABILIZER BAR	-	1
9	351105	CALIPER GUIDE PIN REPAIR KIT	-	1
10	361402	CALIPER CALIBRATION BOLT -R	-	2
11	362125	ECCENTRIC SHAFT SEAL	-	1
12	364119	CALIPER END PLATE CAP	ø 37 x 15 mm	1

**304501** > CALIPER SHAFT HOUSING REPAIR KIT -L



PART NO.	GW NO.	CONTENTS	DIMENSION	QTY.
1	304011	CALIPER SHAFT HOUSING	136 mm	1
2	305006	CALIPER PRESSURE PLATE	-	1
3	36009	CALIPER PRESSURE PLATE BOLT	M8 x 1,25 x 20 mm	2
4	365002	CALIPER CALIBRATION BOLT -L	-	2
5	362021	CALIPER TAPPET BOOT	-	2
6	364091	CALIPER END PLATE CAP	Ø 37 x 15 mm	1
7	304500	CALIPER PISTON REPAIR KIT -L	-	1
8	370005	CALIPER PISTON WAVY WASHER	-	2
9	30001	CALIPER PISTON CIRCLIP	-	2

**301535** > CALIPER SHAFT HOUSING REPAIR KIT -L



PART NO.	GW NO.	CONTENTS	DIMENSION	QTY.
1	303116	CALIPER MECHANISM CENTRAL GEAR	-	1
2	303100	CALIPER MECHANISM PINION GEAR	-	1
3	303420	CALIPER MECHANISM PINION GEAR	-	2
4	304003	CALIPER SHAFT HOUSING	136 mm	1
5	305006	CALIPER PRESSURE PLATE	-	1
6	36009	CALIPER PRESSURE PLATE BOLT	M8 x 1,25 x 20 mm	2
7	365003	CALIPER CALIBRATION BOLT -L	-	2
8	304501	CALIPER PISTON -L	-	2

**301534** > CALIPER SHAFT HOUSING REPAIR KIT -L



PART NO.	GW NO.	CONTENTS	DIMENSION	QTY.
1	303116	CALIPER MECHANISM CENTRAL GEAR	-	1
2	303100	CALIPER MECHANISM PINION GEAR	-	1
3	303420	CALIPER MECHANISM PINION GEAR	-	2
4	304003	CALIPER SHAFT HOUSING	136 mm	1
5	304501	CALIPER PISTON -L	-	2

**304401** > CALIPER SHAFT HOUSING REPAIR KIT -R


PART NO	GW NO	CONTENTS	DIMENSION	QTY.
1	304401	CALIPER SHAFT HOUSING	136 mm	1
2	305106	CALIPER PRESSURE PLATE	-	1
3	36409	CALIPER PRESSURE PLATE BOLT	M8 x 1,25 x 20 mm	2
4	36402	CALIPER CALIBRATION BOLT -R	-	2
5	362121	CALIPER TAPPET BOOT	-	2
6	36480	CALIPER END PLATE CAP	Ø 37 x 15 mm	1
7	304400	CALIPER PISTON REPAIR KIT -R	-	1
8	370005	CALIPER PISTON WAVY WASHER	-	2
9	3000	CALIPER PISTON CIRCLIP	-	2

**301435** > CALIPER SHAFT HOUSING REPAIR KIT -R


PART NO	GW NO	CONTENTS	DIMENSION	QTY.
1	30386	CALIPER MECHANISM CENTRAL GEAR	-	1
2	30388	CALIPER MECHANISM PINION GEAR	-	1
3	303820	CALIPER MECHANISM PINION GEAR	-	2
4	304403	CALIPER SHAFT HOUSING	136 mm	1
5	305106	CALIPER PRESSURE PLATE	-	1
6	36409	CALIPER PRESSURE PLATE BOLT	M8 x 1,25 x 20 mm	2
7	36403	CALIPER CALIBRATION BOLT -R	-	2
8	304401	CALIPER PISTON -R	-	2

**301434** > CALIPER SHAFT HOUSING REPAIR KIT -R


PART NO	GW NO	CONTENTS	DIMENSION	QTY.
1	30386	CALIPER MECHANISM CENTRAL GEAR	-	1
2	30388	CALIPER MECHANISM PINION GEAR	-	1
3	303820	CALIPER MECHANISM PINION GEAR	-	2
4	304403	CALIPER SHAFT HOUSING	136 mm	1
5	304401	CALIPER PISTON -R	-	2

**305506** > CALIPER PRESSURE PLATE SET -L



PART NO.	GW NO.	CONTENTS	DIMENSION	QTY.
1	305506	CALIPER PRESSURE PLATE	-	1
2	36501	CALIPER PRESSURE PLATE BOLT	M8 x 1,25 x 20 mm	2
3	36503	CALIPER CALIBRATION BOLT -L	-	2

**384508** > CALIPER PISTON REPAIR KIT -L

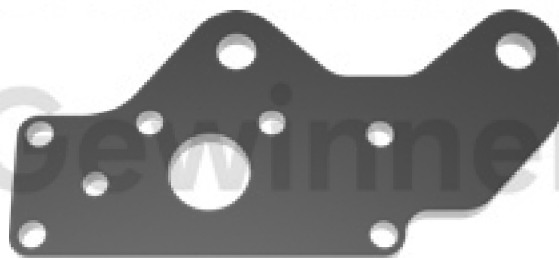


PART NO.	GW NO.	CONTENTS	DIMENSION	QTY.
1	38420	CALIPER MECHANISM PINION GEAR	-	2
2	38451	CALIPER PISTON -L	-	2

**361503** > CALIPER CALIBRATION BOLT -L



**305504** > BRAKE CHAMBER END PLATE -L



**305406** > CALIPER PRESSURE PLATE SET -R


PART NO	GW NO	CONTENTS	DIMENSION	QTY.
1	305406	CALIPER PRESSURE PLATE	-	1
2	36403	CALIPER PRESSURE PLATE BOLT	M8 x 1,25 x 20 mm	2
3	36403	CALIPER CALIBRATION BOLT -R	-	2

**384408** > CALIPER PISTON REPAIR KIT -R


PART NO	GW NO	CONTENTS	DIMENSION	QTY.
1	303620	CALIPER MECHANISM PINION GEAR	-	2
2	384401	CALIPER PISTON -R	-	2

**361403** > CALIPER CALIBRATION BOLT -R

**305404** > BRAKE CHAMBER END PLATE -R


**304103** > CALIPER SHAFT HOUSING (136 MM)



**303114** > CALIPER GEAR SET



**313110** > CALIPER ECCENTRIC SHAFT REPAIR KIT



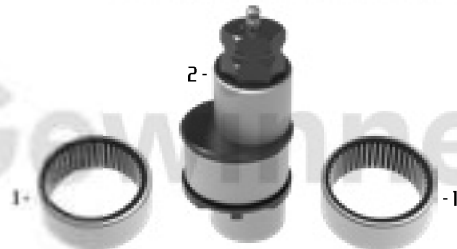
PART NO.	GW NO.	CONTENTS	DIMENSION	QTY.
1	30721	ECCENTRIC SHAFT COVER SET	-	1
2	30822	ECCENTRIC SHAFT BEARING	-	1
3	30813	CALIPER ECCENTRIC SHAFT	-	1
4	36138	ECCENTRIC SHAFT COVER BOLT	M8 x 1.25 x 16 mm	2
5	36225	ECCENTRIC SHAFT SEAL	-	1
6	36401	PLUG BOLT	-	1
7	37120	ECCENTRIC SHAFT COVER GASKET	-	1
8	37309	PLUG BOLT WASHER	-	1

**313111** > ECCENTRIC SHAFT COVER REPAIR KIT



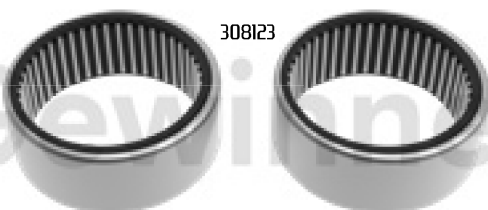
PART NO.	GW NO.	CONTENTS	DIMENSION	QTY.
1	30728	ECCENTRIC SHAFT COVER SET	-	1
2	36138	ECCENTRIC SHAFT COVER BOLT	M8 x 1.25 x 16 mm	2
3	37120	ECCENTRIC SHAFT COVER GASKET	-	1

**313112** > CALIPER ECCENTRIC SHAFT REPAIR KIT



PART NO.	GW NO.	CONTENTS	DIMENSION	QTY.
1	30813	CALIPER NEEDLE BEARING	-	2
2	31313	CALIPER ECCENTRIC SHAFT	-	1

**308124** > CALIPER NEEDLE BEARING SET



**308126** > CALIPER NEEDLE BEARING SET



**315408** > CALIPER ADJUSTING MECHANISM SET -R


PART NO	GW NO	CONTENTS	DIMENSION	QTY.
1	30386	CALIPER MECHANISM CENTRAL GEAR	-	1
2	30388	CALIPER MECHANISM PINION GEAR	-	1
3	31540	CALIPER ADJUSTING MECHANISM -R	-	1
4	36436	BRAKE CHAMBER COVER BOLT	M10 x 1.5 x 20 mm	2
5	36437	BRAKE CHAMBER COVER BOLT	M10 x 1.5 x 25 mm	6
6	36439	CALIPER ADJUSTER BOLT	-	1
7	36440	PULLG BOLT	-	1
8	37026	CALIPER PISTON SEAL	-	2
9	37242	CALIPER ADJUSTER SPRING	-	1
10	37309	PULLG BOLT WASHER	-	1
11	37005	CALIPER PISTON WAVY WASHER	-	2
12	30888	CALIPER PISTON CIRCLIP	-	2

**315412** > CALIPER ADJUSTING MECHANISM SET -R


PART NO	GW NO	CONTENTS	DIMENSION	QTY.
1	31541	CALIPER ADJUSTING MECHANISM -R	-	1
2	36439	CALIPER ADJUSTER BOLT	-	1
3	37026	CALIPER PISTON SEAL	-	2
4	37242	CALIPER ADJUSTER SPRING	-	1
5	37005	CALIPER PISTON WAVY WASHER	-	2
6	30888	CALIPER PISTON CIRCLIP	-	2

**315508** > CALIPER ADJUSTING MECHANISM SET -L


PART NO	GW NO	CONTENTS	DIMENSION	QTY.
1	30386	CALIPER MECHANISM CENTRAL GEAR	-	1
2	30388	CALIPER MECHANISM PINION GEAR	-	1
3	31550	CALIPER ADJUSTING MECHANISM -L	-	1
4	36436	BRAKE CHAMBER COVER BOLT	M10 x 1.5 x 20 mm	2
5	36437	BRAKE CHAMBER COVER BOLT	M10 x 1.5 x 25 mm	6
6	36439	CALIPER ADJUSTER BOLT	-	1
7	36440	PULLG BOLT	-	1
8	37026	CALIPER PISTON SEAL	-	2
9	37242	CALIPER ADJUSTER SPRING	-	1
10	37309	PULLG BOLT WASHER	-	1
11	37005	CALIPER PISTON WAVY WASHER	-	2
12	30888	CALIPER PISTON CIRCLIP	-	2

**315512** > CALIPER ADJUSTING MECHANISM SET -L


PART NO	GW NO	CONTENTS	DIMENSION	QTY.
1	31551	CALIPER ADJUSTING MECHANISM -L	-	1
2	36439	CALIPER ADJUSTER BOLT	-	1
3	37026	CALIPER PISTON SEAL	-	2
4	37242	CALIPER ADJUSTER SPRING	-	1
5	37005	CALIPER PISTON WAVY WASHER	-	2
6	30888	CALIPER PISTON CIRCLIP	-	2

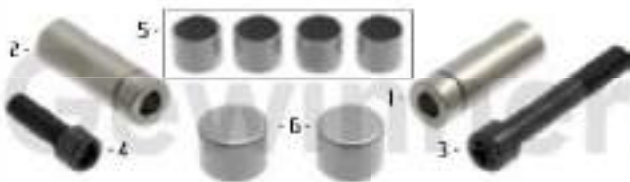
**351105** > CALIPER GUIDE PIN REPAIR KIT



PART NO.	GM NO.	CONTENTS	DIMENSION	QTY.
1	360825	CALIPER GUIDE PIN	Ø 28 x 96 mm	1
2	360825	CALIPER GUIDE PIN	Ø 28 x 96 mm	1
3	361034	CALIPER GUIDE PIN BOLT	M14 x 1.5 x 70 mm	1
4	361035	CALIPER GUIDE PIN BOLT	M14 x 1.5 x 50 mm	1
5	361035	CALIPER PRESSURE PLATE BOLT	M8 x 1.25 x 20 mm	2
6	361036	BRAKE CHAMBER COVER BOLT	M10 x 1.5 x 20 mm	2
7	361037	BRAKE CHAMBER COVER BOLT	M10 x 1.5 x 25 mm	4
8	361038	ECCENTRIC SHAFT COVER BOLT	M8 x 1.25 x 16 mm	2
9	362021	CALIPER TAPPET BOOT	-	2
10	362022	CALIPER GUIDE PIN BOOT	-	2
11	363035	CALIPER GUIDE PIN BUSHING	Ø 32 x 28 x 24.8 mm	4
12	364011	PLUG BOLT	-	1
13	364021	CALIPER GUIDE PIN CAP	Ø 37 x 25 mm	2
14	379210	ECCENTRIC SHAFT COVER GASKET	-	1
15	373019	PLUG BOLT WASHER	-	1
16	375032	HEX HEAD PIN	-	1
17	380018	SPLIT PIN	-	1

MOX070

**351106** > CALIPER GUIDE PIN REPAIR KIT



PART NO.	GM NO.	CONTENTS	DIMENSION	QTY.
1	361025	CALIPER GUIDE PIN	Ø 28 x 96 mm	1
2	361025	CALIPER GUIDE PIN	Ø 28 x 96 mm	1
3	361034	CALIPER GUIDE PIN BOLT	M14 x 1.5 x 70 mm	1
4	361035	CALIPER GUIDE PIN BOLT	M14 x 1.5 x 50 mm	1
5	363035	CALIPER GUIDE PIN BUSHING	Ø 32 x 28 x 24.8 mm	4
6	364021	CALIPER GUIDE PIN CAP	Ø 37 x 25 mm	2

**350124** > CALIPER BOOT & BOLT SET



PART NO.	GM NO.	CONTENTS	DIMENSION	QTY.
1	361034	CALIPER GUIDE PIN BOLT	M14 x 1.5 x 70 mm	1
2	361035	CALIPER GUIDE PIN BOLT	M14 x 1.5 x 50 mm	1
3	362021	CALIPER TAPPET BOOT	-	2
4	362022	CALIPER GUIDE PIN BOOT	-	2
5	364021	CALIPER GUIDE PIN CAP	Ø 37 x 25 mm	2

MOX198

**351112** > CALIPER BOOT & BOLT SET


PART NO	GW NO	CONTENTS	DIMENSION	QTY.
1	31101	CALIPER PRESSURE PLATE BOLT	M8 x 1.25 x 20 mm	2
2	36206	BRAKE CHAMBER COVER BOLT	M10 x 1.5 x 20 mm	2
3	31107	BRAKE CHAMBER COVER BOLT	M10 x 1.5 x 25 mm	4
4	36208	ECCENTRIC SHAFT COVER BOLT	M8 x 1.25 x 16 mm	2
5	36211	CALIPER TAPPET BOOT	-	2
6	36212	CALIPER GUIDE PIN BOOT	-	2
7	36411	PLUG BOLT	-	1
8	36412	CALIPER GUIDE PIN CAP	∅ 37 x 25 mm	2
9	371079	PLUG BOLT WASHER	-	1

**350123** > CALIPER BOOT SET


PART NO	GW NO	CONTENTS	DIMENSION	QTY.
1	36211	CALIPER TAPPET BOOT	-	2
2	36212	CALIPER GUIDE PIN BOOT	-	2

**353106** > BRAKE PAD RETAINER REPAIR KIT


PART NO	GW NO	CONTENTS	DIMENSION	QTY.
1	34106	CALIPER STABILIZER BAR	-	1
2	36208	ECCENTRIC SHAFT COVER BOLT	M8 x 1.25 x 16 mm	2
3	36410	CALIPER LEVER BOLT	M8 x 1.25 x 60 mm	1
4	36411	PLUG BOLT	-	1
5	36201	CALIPER LEVER NUT	M8 x 1.25 mm	1
6	37120	ECCENTRIC SHAFT COVER GASKET	-	1
7	371079	PLUG BOLT WASHER	-	1

MCK153

**370125** > ECCENTRIC SHAFT COVER SEAL SET

**362126** > ECCENTRIC SHAFT SEAL SET




BRAKE  
CALIPER  
REPAIR KITS



*for*  
**MERITOR**  
**DX195**

**301524** >> CALIPER COMPLETE REPAIR SET -L

ROR AXLE LM / LC / TM



PART NO	GW NO	CONTENTS	DIMENSION	QTY.
1	301504	CALIPER SHAFT HOUSING & PISTON SET -L	-	1
2	305104	CALIPER PRESSURE PLATE	-	1
3	307006	ECCENTRIC SHAFT COVER SET	-	1
4	300100	CALIPER NEEDLE BEARING	-	1
5	303101	ECCENTRIC SHAFT BEARING	-	1
6	313104	CALIPER ECCENTRIC SHAFT	-	1
7	314103	CALIPER SHAFT LEVER	-	1
8	315501	CALIPER ADJUSTING MECHANISM SET -L	-	1
9	341103	CALIPER STABILIZER BAR	-	1
10	352103	CALIPER GUIDE PIN REPAIR KIT	-	1
11	361501	CALIPER CALIBRATION BOLT -L	-	2
12	370102	CALIPER ECCENTRIC SHAFT SEAL	-	1
13	378104	CALIPER ECCENTRIC SHAFT BEVEL WASHER	-	1

**301424** >> CALIPER COMPLETE REPAIR SET -R

ROR AXLE LM / LC / TM



PART NO.	GW NO.	CONTENTS	DIMENSION	QTY.
1	30404	CALIPER SHAFT HOUSING & PISTON SET -R	-	1
2	30504	CALIPER PRESSURE PLATE	-	1
3	30706	ECCENTRIC SHAFT HOUSING SET	-	1
4	30800	CALIPER NEEDLE BEARING	-	1
5	30808	ECCENTRIC SHAFT BEARING	-	1
6	31314	CALIPER ECCENTRIC SHAFT	-	1
7	31403	CALIPER SHAFT LEVER	-	1
8	315401	CALIPER ADJUSTING MECHANISM SET -R	-	1
9	34103	CALIPER STABILIZER BAR	-	1
10	352113	CALIPER GUIDE PIN REPAIR KIT	-	1
11	36401	CALIPER CALIBRATION BOLT -R	-	2
12	370112	CALIPER ECCENTRIC SHAFT SEAL	-	1
13	378104	CALIPER ECCENTRIC SHAFT BEVEL WASHER	-	1

**301536** > CALIPER SHAFT HOUSING REPAIR KIT -L



MCK1292

PART NO.	GW NO.	CONTENTS	DIMENSION	QTY.
1	30403	CALIPER SHAFT HOUSING	-	1
2	305004	CALIPER PRESSURE PLATE	-	1
3	36006	CALIPER PRESSURE PLATE BOLT	M10 x 1.5 x 20 mm	2
4	367508	CALIPER CALIBRATION BOLT -L	-	2
5	36204	CALIPER TAPPET BOOT SEAL	-	2
6	362620	CALIPER TAPPET BOOT	-	2
7	36408	CALIPER END PLATE CAP	Ø 37 x 15 mm	1
8	384508	CALIPER PISTON REPAIR KIT -L	-	1
9	378006	CALIPER PISTON WAVY WASHER	-	2
10	38002	CALIPER PISTON CIRCLIP	-	2

**301503** > CALIPER SHAFT HOUSING REPAIR KIT -L



PART NO.	GW NO.	CONTENTS	DIMENSION	QTY.
1	30308	CALIPER MECHANISM PINION GEAR	-	2
2	30307	CALIPER MECHANISM CENTRAL GEAR	-	1
3	30308	CALIPER MECHANISM PINION GEAR	-	1
4	30403	CALIPER SHAFT HOUSING	-	1
5	305004	CALIPER PRESSURE PLATE	-	1
6	36006	CALIPER PRESSURE PLATE BOLT	M10 x 1.5 x 20 mm	2
7	367508	CALIPER CALIBRATION BOLT -L	-	2
8	384503	CALIPER PISTON -L	-	2

**301504** > CALIPER SHAFT HOUSING REPAIR KIT -L



PART NO.	GW NO.	CONTENTS	DIMENSION	QTY.
1	30308	CALIPER MECHANISM PINION GEAR	-	2
2	30307	CALIPER MECHANISM CENTRAL GEAR	-	1
3	30308	CALIPER MECHANISM PINION GEAR	-	1
4	30403	CALIPER SHAFT HOUSING	-	1
5	384503	CALIPER PISTON -L	-	2

05061

**301436** > CALIPER SHAFT HOUSING REPAIR KIT -R


PART NO	GW NO	CONTENTS	DIMENSION	QTY.
1	30401	CALIPER SHAFT HOUSING	-	1
2	30504	CALIPER PRESSURE PLATE	-	1
1	30700	CALIPER PRESSURE PLATE BOLT	M10 x 1,5 x 20 mm	2
4	36401	CALIPER CALIBRATION BOLT -R	-	2
5	36210	CALIPER TAPPET BOOT SEAL	-	2
6	36210	CALIPER TAPPET BOOT	-	2
7	36401	CALIPER END PLATE CAP	Ø 37 x 15 mm	1
8	304401	CALIPER PISTON REPAIR KIT -R	-	1
9	30806	CALIPER PISTON WAVY WASHER	-	2
10	30702	CALIPER PISTON CIRCLIP	-	2

MCK1293

**301403** > CALIPER SHAFT HOUSING REPAIR KIT -R


PART NO	GW NO	CONTENTS	DIMENSION	QTY.
1	30301	CALIPER MECHANISM PINION GEAR	-	2
2	30107	CALIPER MECHANISM CENTRAL GEAR	-	1
3	30301	CALIPER MECHANISM PINION GEAR	-	1
4	30401	CALIPER SHAFT HOUSING	-	1
5	30504	CALIPER PRESSURE PLATE	-	1
6	36406	CALIPER PRESSURE PLATE BOLT	M10 x 1,5 x 20 mm	2
7	36401	CALIPER CALIBRATION BOLT -R	-	2
8	304401	CALIPER PISTON -R	-	2

**301404** > CALIPER SHAFT HOUSING REPAIR KIT -R


PART NO	GW NO	CONTENTS	DIMENSION	QTY.
1	30301	CALIPER MECHANISM PINION GEAR	-	2
2	30107	CALIPER MECHANISM CENTRAL GEAR	-	1
3	30301	CALIPER MECHANISM PINION GEAR	-	1
4	30401	CALIPER SHAFT HOUSING	-	1
5	304401	CALIPER PISTON -R	-	2

DSL6R

**305501** > CALIPER PRESSURE PLATE SET -L



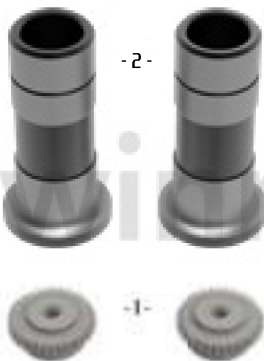
PART NO	GW NO	CONTENTS	DIMENSION	QTY.
1	305004	CALIPER PRESSURE PLATE	-	1
2	365006	CALIPER PRESSURE PLATE BOLT	M10 x 1.5 x 20 mm	2
3	365008	CALIPER CALIBRATION BOLT -L	-	2

**384502** > CALIPER PISTON REPAIR KIT -L



PART NO	GW NO	CONTENTS	DIMENSION	QTY.
1	303011	CALIPER MECHANISM PINION GEAR	-	2
2	365008	CALIPER CALIBRATION BOLT -L	-	2
3	384503	CALIPER PISTON -L	-	2

**384501** > CALIPER PISTON REPAIR KIT -L



PART NO	GW NO	CONTENTS	DIMENSION	QTY.
1	303011	CALIPER MECHANISM PINION GEAR	-	2
2	384503	CALIPER PISTON -L	-	2

**361501** > CALIPER CALIBRATION BOLT -L



**305502** > BRAKE CHAMBER END PLATE -L



## 305401 &gt; CALIPER PRESSURE PLATE SET -R



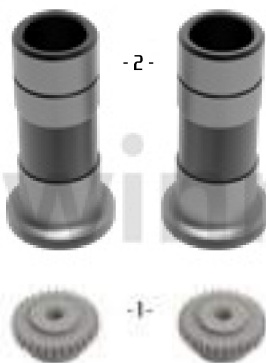
PART NO	GW NO	CONTENTS	DIMENSION	QTY.
1	305104	CALIPER PRESSURE PLATE	-	1
2	361016	CALIPER PRESSURE PLATE BOLT	M10 x 1,5 x 20 mm	2
3	364401	CALIPER CALIBRATION BOLT -R	-	2

## 384402 &gt; CALIPER PISTON REPAIR KIT -R



PART NO	GW NO	CONTENTS	DIMENSION	QTY.
1	303101	CALIPER MECHANISM PINION GEAR	-	2
2	364401	CALIPER CALIBRATION BOLT -R	-	2
3	384403	CALIPER PISTON -R	-	2

## 384401 &gt; CALIPER PISTON REPAIR KIT -L



PART NO	GW NO	CONTENTS	DIMENSION	QTY.
1	303101	CALIPER MECHANISM PINION GEAR	-	2
2	384403	CALIPER PISTON -R	-	2

## 361401 &gt; CALIPER CALIBRATION BOLT -R



## 305402 &gt; BRAKE CHAMBER END PLATE -R



**304101** > CALIPER SHAFT HOUSING (163 MM)



**303110** > CALIPER GEAR SET



**314102** > CALIPER SHAFT LEVER (80 MM)



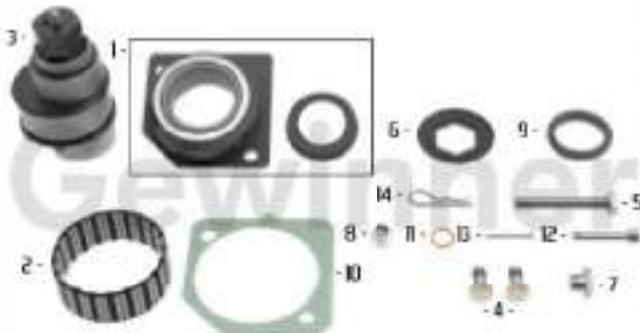
MCK1650

**314103** > CALIPER SHAFT LEVER (90 MM)



MCK1651

**313104** > CALIPER ECCENTRIC SHAFT REPAIR KIT



PART NO.	GW NO.	CONTENTS	DIMENSION	QTY.
1	307006	ECCENTRIC SHAFT COVER SET	-	1
2	308000	ECCENTRIC SHAFT BEARING	-	1
3	308004	CALIPER ECCENTRIC SHAFT	-	1
4	368009	ECCENTRIC SHAFT COVER BOLT	M8 x 1,25 x 20 mm	2
5	360400	CALIPER LEVER BOLT	M8 x 1,25 x 60 mm	1
6	362005	ECCENTRIC SHAFT SEAL	-	1
7	306400	PLUG BOLT	-	1
8	369000	CALIPER LEVER NUT	M8 x 1,25 mm	1
9	370002	CALIPER ECCENTRIC SHAFT SEAL	-	1
10	378004	ECCENTRIC SHAFT COVER GASKET	-	1
11	373009	PLUG BOLT WASHER	-	1
12	375002	HEX HEAD PIN	-	1
13	380008	SPLIT PIN	-	1
14	380009	SPLIT PIN	-	1

**313105** > CALIPER ECCENTRIC SHAFT REPAIR KIT



PART NO.	GW NO.	CONTENTS	DIMENSION	QTY.
1	307006	ECCENTRIC SHAFT COVER SET	-	1
2	308000	ECCENTRIC SHAFT BEARING	-	1
3	308004	CALIPER ECCENTRIC SHAFT	-	1
4	368009	ECCENTRIC SHAFT COVER BOLT	M8 x 1,25 x 20 mm	2
5	362005	ECCENTRIC SHAFT SEAL	-	1
6	306400	PLUG BOLT	-	1
7	370002	CALIPER ECCENTRIC SHAFT SEAL	-	1
8	378004	ECCENTRIC SHAFT COVER GASKET	-	1
9	373009	PLUG BOLT WASHER	-	1
10	378004	CALIPER ECCENTRIC SHAFT BEVEL WASHER	-	1

MCK1294

**313103** > CALIPER ECCENTRIC SHAFT REPAIR KIT



**313106** > CALIPER ECCENTRIC SHAFT REPAIR KIT



**313107** > CALIPER ECCENTRIC SHAFT REPAIR KIT



**313108** > CALIPER ECCENTRIC SHAFT REPAIR KIT



**313102** > CALIPER ECCENTRIC SHAFT REPAIR KIT



**308112** > CALIPER NEEDLE BEARING SET



DX195

MCK1344

**315502** > CALIPER ADJUSTING MECHANISM SET -L



PART NO.	GW NO.	CONTENTS	DIMENSION	QTY.
1	30387	CALIPER MECHANISM CENTRAL GEAR	-	1
2	30388	CALIPER MECHANISM PINION GEAR	-	1
3	315504	CALIPER ADJUSTING MECHANISM -L	-	1
4	36409	CALIPER ADJUSTING MECHANISM BOLT	-	1
5	37026	CALIPER PISTON SEAL	-	2
6	38212	CALIPER ADJUSTING MECHANISM SPRING	-	1
7	37806	CALIPER PISTON WAVY WASHER	-	2
8	38882	CALIPER PISTON CIRCLIP	-	2

MCK1292

**315513** > CALIPER ADJUSTING MECHANISM SET -L



PART NO.	GW NO.	CONTENTS	DIMENSION	QTY.
1	30387	CALIPER MECHANISM CENTRAL GEAR	-	1
2	30388	CALIPER MECHANISM PINION GEAR	-	1
3	315504	CALIPER ADJUSTING MECHANISM -L	-	1
4	36409	CALIPER ADJUSTING MECHANISM BOLT	-	1
5	36888	DRIVE CHAMBER COVER BOLT	M12 x 1.75 x 20 mm	2
6	36888	DRIVE CHAMBER COVER BOLT	M12 x 1.75 x 30 mm	6
7	36408	PLUG DOT	-	1
8	37026	CALIPER PISTON SEAL	-	2
9	38212	CALIPER ADJUSTING MECHANISM SPRING	-	1
10	37300	PLUG DOT WASHER	-	1
11	37806	CALIPER PISTON WAVY WASHER	-	2
12	38882	CALIPER PISTON CIRCLIP	-	2

MCK1290

**315501** > CALIPER ADJUSTING MECHANISM SET -L



PART NO.	GW NO.	CONTENTS	DIMENSION	QTY.
1	315504	CALIPER ADJUSTING MECHANISM -L	-	1
2	36409	CALIPER ADJUSTING MECHANISM BOLT	-	1
3	37026	CALIPER PISTON SEAL	-	2
4	38212	CALIPER ADJUSTING MECHANISM SPRING	-	1
5	37806	CALIPER PISTON WAVY WASHER	-	2
6	38882	CALIPER PISTON CIRCLIP	-	2

05454

**315402** > CALIPER ADJUSTING MECHANISM SET -R



PART NO	GW NO	CONTENTS	DIMENSION	QTY.
1	30387	CALIPER MECHANISM CENTRAL GEAR	-	1
2	30388	CALIPER MECHANISM PINION GEAR	-	1
3	315404	CALIPER ADJUSTING MECHANISM -R	-	1
4	36839	CALIPER ADJUSTING MECHANISM BOLT	-	1
5	370626	CALIPER PISTON SEAL	-	2
6	37582	CALIPER ADJUSTING MECHANISM SPRING	-	1
7	378806	CALIPER PISTON WAVY WASHER	-	2
8	38882	CALIPER PISTON CIRCLIP	-	2

**315413** > CALIPER ADJUSTING MECHANISM SET -R



PART NO	GW NO	CONTENTS	DIMENSION	QTY.
1	30387	CALIPER MECHANISM CENTRAL GEAR	-	1
2	30388	CALIPER MECHANISM PINION GEAR	-	1
3	315404	CALIPER ADJUSTING MECHANISM -R	-	1
4	36837	BRAKE CHAMBER COVER BOLT	M12 x 1.75 x 20 mm	2
5	36838	BRAKE CHAMBER COVER BOLT	M12 x 1.75 x 30 mm	6
6	36839	CALIPER ADJUSTING MECHANISM BOLT	-	1
7	36488	PULL BOLT	-	1
8	370626	CALIPER PISTON SEAL	-	2
9	37582	CALIPER ADJUSTING MECHANISM SPRING	-	1
10	371809	PULL BOLT WASHER	-	1
11	378806	CALIPER PISTON WAVY WASHER	-	2
12	38882	CALIPER PISTON CIRCLIP	-	2

MDX298

**315401** > CALIPER ADJUSTING MECHANISM SET -R



PART NO	GW NO	CONTENTS	DIMENSION	QTY.
1	315404	CALIPER ADJUSTING MECHANISM -R	-	1
2	36839	CALIPER ADJUSTING MECHANISM BOLT	-	1
3	370626	CALIPER PISTON SEAL	-	2
4	37582	CALIPER ADJUSTING MECHANISM SPRING	-	1
5	378806	CALIPER PISTON WAVY WASHER	-	2
6	38882	CALIPER PISTON CIRCLIP	-	2

DSL58

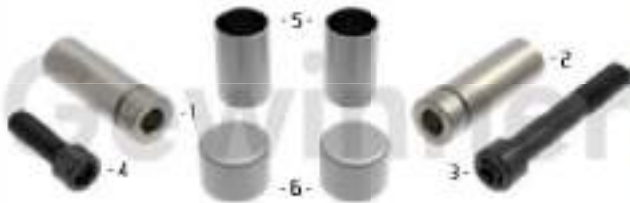
**352113 > CALIPER GUIDE PIN REPAIR KIT**



PART NO.	GW NO.	CONTENTS	DIMENSION	QTY.
1	36019	CALIPER GUIDE PIN	32 x 97 - 37 mm	1
2	36020	CALIPER GUIDE PIN	32 x 97 - 62 MM	1
3	36012	CALIPER GUIDE PIN BOLT	M16 x 1.5 x 85 mm	1
4	36010	CALIPER GUIDE PIN BOLT	M16 x 1.5 x 55 mm	1
5	36006	CALIPER PRESSURE PLATE BOLT	M10 x 1.5 x 20 mm	2
6	36017	BRAKE CHAMBER COVER BOLT	M12 x 1.75 x 20 mm	2
7	36008	BRAKE CHAMBER COVER BOLT	M12 x 1.75 x 30 mm	4
8	36009	ECCENTRIC SHAFT COVER BOLT	M8 x 1.25 x 20 mm	2
9	35008	CALIPER BOOT SET	-	1
10	36319	CALIPER GUIDE PIN BUSHING	Ø 36 x 32 x 55 mm	2
11	36406	CALIPER GUIDE PIN CAP	Ø 42 x 28 mm	2
12	36410	PLUG BOLT	-	1
13	37001	ECCENTRIC SHAFT COVER GASKET	-	1
14	37309	PLUG BOLT WASHER	-	1
15	36205	ECCENTRIC SHAFT SEAL	-	1
16	30008	SPLIT PIN	-	1
17	30009	SPLIT PIN	-	1
18	34502	HEX HEAD PIN	-	1

MOCK171

**352126 > CALIPER GUIDE PIN REPAIR KIT**



PART NO.	GW NO.	CONTENTS	DIMENSION	QTY.
1	36019	CALIPER GUIDE PIN	32 x 97 - 37 mm	1
2	36020	CALIPER GUIDE PIN	32 x 97 - 62 MM	1
3	36012	CALIPER GUIDE PIN BOLT	M16 x 1.5 x 85 mm	1
4	36010	CALIPER GUIDE PIN BOLT	M16 x 1.5 x 55 mm	1
5	36319	CALIPER GUIDE PIN BUSHING	Ø 36 x 32 x 55 mm	2
6	36406	CALIPER GUIDE PIN CAP	Ø 42 x 28 mm	2

**352129 > CALIPER BOOT & BOLT SET**



PART NO.	GW NO.	CONTENTS	DIMENSION	QTY.
1	36006	CALIPER PRESSURE PLATE BOLT	M10 x 1.5 x 20 mm	2
2	36017	BRAKE CHAMBER COVER BOLT	M12 x 1.75 x 20 mm	2
3	36008	BRAKE CHAMBER COVER BOLT	M12 x 1.75 x 30 mm	4
4	36203	CALIPER GUIDE PIN BOOT	-	2
5	36204	CALIPER TAPPET BOOT	-	2
6	36209	CALIPER TAPPET BOOT SEAL	-	2
7	36406	CALIPER GUIDE PIN CAP	Ø 42 x 28 mm	2

MOCK192

**352114** > CALIPER BOOT & BOLT SET



**350111** > CALIPER BOOT SET



**353101** > CALIPER REPAIR KIT



**353105** > CALIPER REPAIR KIT



**370117** > ECCENTRIC SHAFT COVER SEAL SET



**362117** > ECCENTRIC SHAFT SEAL SET



**356104** > CALIPER CAP SET

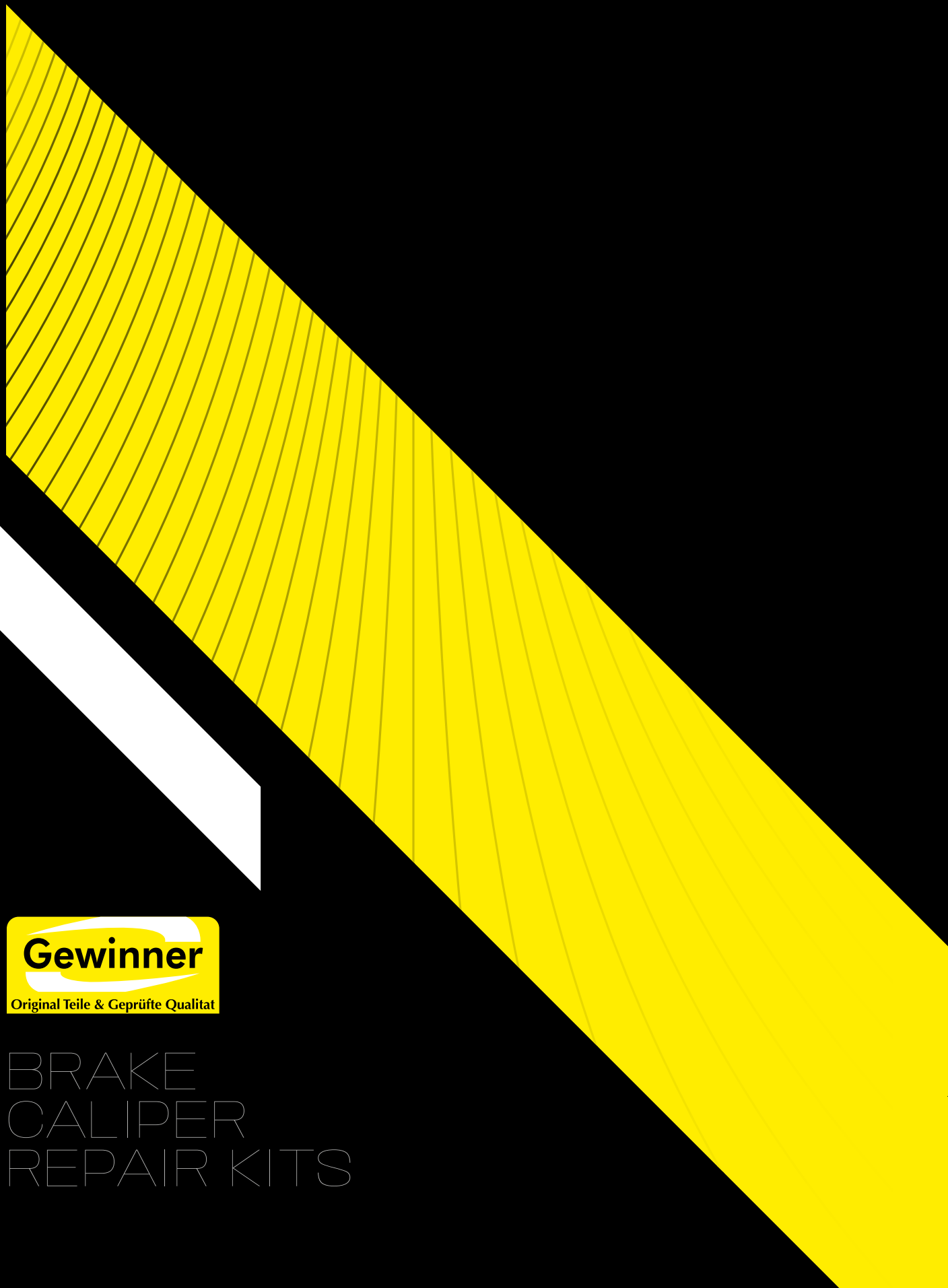


**353104** > CALIPER REPAIR KIT



**311119** > BRAKE PAD RETAINER KIT





BRAKE  
CALIPER  
REPAIR KITS



*for*  
**MERITOR**  
**DX225**

DX225

**301525** >> CALIPER COMPLETE REPAIR SET -L

IRISBUS CITYBUS  
BREDAMENARINIBUS



PART NO	GW NO	CONTENTS	DIMENSION	QTY.
1	30507	CALIPER SHAFT HOUSING & PISTON SET -L	-	1
2	30505	CALIPER PRESSURE PLATE	-	1
3	30705	ECCENTRIC SHAFT LEVER SET	-	1
4	30800	CALIPER NEEDLE BEARING	-	1
5	30801	ECCENTRIC SHAFT BEARING	-	1
6	30804	CALIPER ECCENTRIC SHAFT	-	1
7	34003	CALIPER SHAFT LEVER	90 mm	1
8	315505	CALIPER ADJUSTING MECHANISM SET -L	-	1
9	34102	CALIPER STABILIZER BAR	-	1
10	352138	CALIPER GUIDE PIN REPAIR KIT	-	1
11	361501	CALIPER CALIBRATION BOLT -L	-	2
12	362115	ECCENTRIC SHAFT SEAL	-	1
13	364119	KALIPER END PLATE CAP	Ø 37 x 15 mm	1
14	370112	CALIPER ECCENTRIC SHAFT SEAL	-	1
15	378104	CALIPER ECCENTRIC SHAFT BEVEL WASHER	-	1

DX225

## 301425 &gt; CALIPER COMPLETE REPAIR SET -R

IRISBUS CITYBUS  
BREDAMENARINIBUS

PART NO	GW NO	CONTENTS	DIMENSION	QTY.
1	30407	CALIPER SHAFT HOUSING & POSITION SET -R	-	1
2	305405	CALIPER PRESSURE PLATE	-	1
3	307066	ECCENTRIC SHAFT COVER SET	-	1
4	30680	CALIPER NEEDLE BEARING	-	1
5	30680	ECCENTRIC SHAFT BEARING	-	1
6	30804	CALIPER ECCENTRIC SHAFT	-	1
7	30403	CALIPER SHAFT LEVER	90 mm	1
8	315405	CALIPER ADJUSTING MECHANISM SET -R	-	1
9	34102	CALIPER STABILIZER BAR	-	1
10	352138	CALIPER GUIDE PIN REPAIR KIT	-	1
11	361401	CALIPER CALIBRATION BOLT -R	-	2
12	362115	ECCENTRIC SHAFT SEAL	-	1
13	364119	CALIPER END PLATE CAP	∅ 37 x 15 mm	1
14	370112	CALIPER ECCENTRIC SHAFT SEAL	-	1
15	378104	CALIPER ECCENTRIC SHAFT BEVEL WASHER	-	1

**301509** > CALIPER SHAFT HOUSING REPAIR KIT -L



PART NO.	GW NO.	CONTENTS	DIMENSION	QTY.
1	30301	CALIPER MECHANISM PINION GEAR	-	2
2	304012	CALIPER SHAFT HOUSING	-	1
3	3015005	CALIPER PRESSURE PLATE	-	1
4	36006	CALIPER PRESSURE PLATE BOLT	M10 x 1.5 x 20 mm	2
5	367501	CALIPER CALIBRATION BOLT -L	-	2
6	362001	CALIPER TAPPET BOOT SEAL	-	2
7	362020	CALIPER TAPPET BOOT	-	2
8	364001	CALIPER END PLATE CAP	Ø 37 x 15 mm	1
9	370006	CALIPER PISTON WAVY WASHER	-	2
10	30002	CALIPER PISTON CIRCLIP	-	2
11	3045006	CALIPER PISTON REPAIR KIT -L	-	2

**301508** > CALIPER SHAFT HOUSING REPAIR KIT -L



PART NO.	GW NO.	CONTENTS	DIMENSION	QTY.
1	30301	CALIPER MECHANISM PINION GEAR	-	2
2	30307	CALIPER MECHANISM CENTRAL GEAR	-	1
3	30301	CALIPER MECHANISM PINION GEAR	-	1
4	304012	CALIPER SHAFT HOUSING	-	1
5	3015005	CALIPER PRESSURE PLATE	-	1
6	36006	CALIPER PRESSURE PLATE BOLT	M10 x 1.5 x 20 mm	2
7	367501	CALIPER CALIBRATION BOLT -L	-	2
8	3045006	CALIPER PISTON REPAIR KIT -L	-	2

**301507** > CALIPER SHAFT HOUSING REPAIR KIT -L



PART NO.	GW NO.	CONTENTS	DIMENSION	QTY.
1	30301	CALIPER MECHANISM PINION GEAR	-	2
2	30307	CALIPER MECHANISM CENTRAL GEAR	-	1
3	30301	CALIPER MECHANISM PINION GEAR	-	1
4	304012	CALIPER SHAFT HOUSING	-	1
5	3045006	CALIPER PISTON REPAIR KIT -L	-	2

**301409** > CALIPER SHAFT HOUSING REPAIR KIT -R



PART NO	GW NO	CONTENTS	DIMENSION	QTY.
1	30381	CALIPER MECHANISM PINION GEAR	-	2
2	30482	CALIPER SHAFT HOUSING	-	1
3	30585	CALIPER PRESSURE PLATE	-	1
4	36886	CALIPER PRESSURE PLATE BOLT	M10 x 1.5 x 20 mm	2
5	368401	CALIPER CALIBRATION BOLT -R	-	2
6	36289	CALIPER TAPPET BOOT SEAL	-	2
7	362820	CALIPER TAPPET BOOT	-	2
8	36489	CALIPER END PLATE CAP	Ø 37 x 15 mm	1
9	370806	CALIPER PISTON WAVY WASHER	-	2
10	36882	CALIPER PISTON CIRCLIP	-	2
11	364406	CALIPER PISTON REPAIR KIT -R	-	2

**301408** > CALIPER SHAFT HOUSING REPAIR KIT -R



PART NO	GW NO	CONTENTS	DIMENSION	QTY.
1	30381	CALIPER MECHANISM PINION GEAR	-	2
2	30387	CALIPER MECHANISM CENTRAL GEAR	-	1
3	30381	CALIPER MECHANISM PINION GEAR	-	1
4	30482	CALIPER SHAFT HOUSING	-	1
5	30585	CALIPER PRESSURE PLATE	-	1
6	36886	CALIPER PRESSURE PLATE BOLT	M10 x 1.5 x 20 mm	2
7	368401	CALIPER CALIBRATION BOLT -R	-	2
8	364406	CALIPER PISTON REPAIR KIT -R	-	2

**301407** > CALIPER SHAFT HOUSING REPAIR KIT -R



PART NO	GW NO	CONTENTS	DIMENSION	QTY.
1	30381	CALIPER MECHANISM PINION GEAR	-	2
2	30387	CALIPER MECHANISM CENTRAL GEAR	-	1
3	30381	CALIPER MECHANISM PINION GEAR	-	1
4	30482	CALIPER SHAFT HOUSING	-	1
5	364406	CALIPER PISTON REPAIR KIT -R	-	2

**384504** > CALIPER PISTON REPAIR KIT -L



PART NO	GW NO	CONTENTS	DIMENSION	QTY.
1	30311	CALIPER MECHANISM PINION GEAR	-	2
2	361501	CALIPER CALIBRATION BOLT -L	-	2
3	384506	CALIPER PISTON REPAIR KIT -L	-	2

**384505** > CALIPER PISTON REPAIR KIT -L



PART NO	GW NO	CONTENTS	DIMENSION	QTY.
1	30311	CALIPER MECHANISM PINION GEAR	-	2
2	384506	CALIPER PISTON REPAIR KIT -L	-	2

**305503** > CALIPER PRESSURE PLATE SET -L



PART NO	GW NO	CONTENTS	DIMENSION	QTY.
1	305505	CALIPER PRESSURE PLATE	-	1
2	36116	CALIPER PRESSURE PLATE BOLT	M10 x 1.5 x 20 mm	2
3	361501	CALIPER CALIBRATION BOLT -L	-	2

**361501** > CALIPER CALIBRATION BOLT -L



**305505** > BRAKE CHAMBER END PLATE -L



**384404** > CALIPER PISTON REPAIR KIT -R

PART NO	GW NO	CONTENTS	DIMENSION	QTY.
1	30311	CALIPER MECHANISM PINION GEAR	-	2
2	36401	CALIPER CALIBRATION BOLT -R	-	2
3	364406	CALIPER PISTON REPAIR KIT -R	-	2

**384405** > CALIPER PISTON REPAIR KIT -R

PART NO	GW NO	CONTENTS	DIMENSION	QTY.
1	30311	CALIPER MECHANISM PINION GEAR	-	2
2	364406	CALIPER PISTON REPAIR KIT -R	-	2

**305403** > CALIPER PRESSURE PLATE SET -R

PART NO	GW NO	CONTENTS	DIMENSION	QTY.
1	305105	CALIPER PRESSURE PLATE	-	1
2	36716	CALIPER PRESSURE PLATE BOLT	M10 x 1,5 x 20 mm	2
3	36401	CALIPER CALIBRATION BOLT -R	-	2

**361401** > CALIPER CALIBRATION BOLT -R**305405** > BRAKE CHAMBER END PLATE -R

**304102** > CALIPER SHAFT HOUSING (169 MM)



**314103** > CALIPER SHAFT LEVER (90 MM)



MCK163

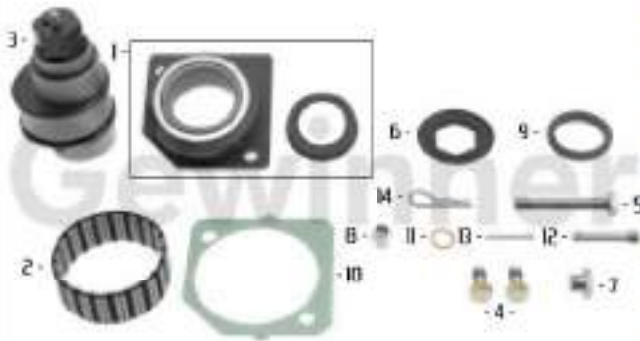
**371119** > BRAKE CHAMBER END PLATE GASKET



**303110** > CALIPER GEAR SET



**313104** > CALIPER ECCENTRIC SHAFT REPAIR KIT



DX225

PART NO.	GW NO.	CONTENTS	DIMENSION	QTY.
1	30706	ECCENTRIC SHAFT COVER SET	-	1
2	30800	ECCENTRIC SHAFT BEARING	-	1
3	30804	CALIPER ECCENTRIC SHAFT	-	1
4	36809	ECCENTRIC SHAFT COVER BOLT	M8 x 1,25 x 20 mm	2
5	36040	CALIPER LEVER BOLT	M8 x 1,25 x 60 mm	1
6	36205	ECCENTRIC SHAFT SEAL	-	1
7	30400	PLUG BOLT	-	1
8	36900	CALIPER LEVER NUT	M8 x 1,25 mm	1
9	37002	CALIPER ECCENTRIC SHAFT SEAL	-	1
10	37004	ECCENTRIC SHAFT COVER GASKET	-	1
11	37309	PLUG BOLT WASHER	-	1
12	37502	HEX HEAD PIN	-	1
13	38000	SPLIT PIN	-	1
14	38000	SPLIT PIN	-	1

**313105** > CALIPER ECCENTRIC SHAFT REPAIR KIT



MCK1294

PART NO.	GW NO.	CONTENTS	DIMENSION	QTY.
1	30706	ECCENTRIC SHAFT COVER SET	-	1
2	30800	ECCENTRIC SHAFT BEARING	-	1
3	30804	CALIPER ECCENTRIC SHAFT	-	1
4	36809	ECCENTRIC SHAFT COVER BOLT	M8 x 1,25 x 20 mm	2
5	36205	ECCENTRIC SHAFT SEAL	-	1
6	30400	PLUG BOLT	-	1
7	37002	CALIPER ECCENTRIC SHAFT SEAL	-	1
8	37004	ECCENTRIC SHAFT COVER GASKET	-	1
9	37309	PLUG BOLT WASHER	-	1
10	37004	CALIPER ECCENTRIC SHAFT BEVEL WASHER	-	1

**313103** > CALIPER ECCENTRIC SHAFT REPAIR KIT



**313106** > CALIPER ECCENTRIC SHAFT REPAIR KIT



**313107** > CALIPER ECCENTRIC SHAFT REPAIR KIT



**313108** > CALIPER ECCENTRIC SHAFT REPAIR KIT



**313102** > CALIPER ECCENTRIC SHAFT REPAIR KIT



**308112** > CALIPER NEEDLE BEARING SET



MCK1344

**315509 > CALIPER ADJUSTING MECHANISM SET -L**



MCK036

PART NO.	GW NO.	CONTENTS	DIMENSION	QTY.
1	30387	CALIPER MECHANISM CENTRAL GEAR	-	1
2	30388	CALIPER MECHANISM PINION GEAR	-	1
3	315507	CALIPER ADJUSTING MECHANISM -L	-	1
4	36487	BRAKE CHAMBER COVER BOLT	M12 x 1.75 x 20 mm	2
5	36488	BRAKE CHAMBER COVER BOLT	M12 x 1.75 x 30 mm	6
6	36489	CALIPER ADJUSTING MECHANISM BOLT	-	1
7	36488	PLUG BOLT	-	1
8	37026	CALIPER PISTON SEAL	-	2
9	37029	BRAKE CHAMBER END PLATE GASKET	-	1
10	37212	CALIPER ADJUSTING MECHANISM SPRING	-	1
11	37309	PLUG BOLT WASHER	-	1

**315514 > CALIPER ADJUSTING MECHANISM SET -L**



PART NO.	GW NO.	CONTENTS	DIMENSION	QTY.
1	30387	CALIPER MECHANISM CENTRAL GEAR	-	1
2	30388	CALIPER MECHANISM PINION GEAR	-	1
3	315507	CALIPER ADJUSTING MECHANISM -L	-	1
4	36487	BRAKE CHAMBER COVER BOLT	M12 x 1.75 x 20 mm	2
5	36488	BRAKE CHAMBER COVER BOLT	M12 x 1.75 x 30 mm	6
6	36489	CALIPER ADJUSTING MECHANISM BOLT	-	1
7	36488	PLUG BOLT	-	1
8	37026	CALIPER PISTON SEAL	-	2
9	37212	CALIPER ADJUSTING MECHANISM SPRING	-	1
10	37309	PLUG BOLT WASHER	-	1
11	37006	CALIPER PISTON WAVY WASHER	-	2
12	38882	CALIPER PISTON CIRCLIP	-	2

**315506 > CALIPER ADJUSTING MECHANISM SET -L**



PART NO.	GW NO.	CONTENTS	DIMENSION	QTY.
1	30387	CALIPER MECHANISM CENTRAL GEAR	-	1
2	30388	CALIPER MECHANISM PINION GEAR	-	1
3	315507	CALIPER ADJUSTING MECHANISM -L	-	1
4	36489	CALIPER ADJUSTING MECHANISM BOLT	-	1
5	37026	CALIPER PISTON SEAL	-	2
6	37212	CALIPER ADJUSTING MECHANISM SPRING	-	1
7	37006	CALIPER PISTON WAVY WASHER	-	2
8	38882	CALIPER PISTON CIRCLIP	-	2

**315505 > CALIPER ADJUSTING MECHANISM SET -L**



PART NO.	GW NO.	CONTENTS	DIMENSION	QTY.
1	315507	CALIPER ADJUSTING MECHANISM -L	-	1
2	36489	CALIPER ADJUSTING MECHANISM BOLT	-	1
3	37026	CALIPER PISTON SEAL	-	2
4	37212	CALIPER ADJUSTING MECHANISM SPRING	-	1
5	37006	CALIPER PISTON WAVY WASHER	-	2
6	38882	CALIPER PISTON CIRCLIP	-	2

**315409** > CALIPER ADJUSTING MECHANISM SET -R


MOX337

PART NO	GW NO	CONTENTS	DIMENSION	QTY.
1	30107	CALIPER MECHANISM CENTRAL GEAR	-	1
2	30300	CALIPER MECHANISM PINION GEAR	-	1
3	30507	CALIPER ADJUSTING MECHANISM -R	-	1
4	30107	BRAKE CHAMBER COVER BOLT	M12 x 1.75 x 20 mm	2
5	30108	BRAKE CHAMBER COVER BOLT	M12 x 1.75 x 30 mm	6
6	30139	CALIPER ADJUSTING MECHANISM BOLT	-	1
7	30401	PLUG BOLT	-	1
8	37026	CALIPER PISTON SEAL	-	2
9	30109	BRAKE CHAMBER END PLATE GASKET	-	1
10	37012	CALIPER ADJUSTING MECHANISM SPRING	-	1
11	37109	PLUG BOLT WASHER	-	1

**315414** > CALIPER ADJUSTING MECHANISM SET -R


PART NO	GW NO	CONTENTS	DIMENSION	QTY.
1	30107	CALIPER MECHANISM CENTRAL GEAR	-	1
2	30300	CALIPER MECHANISM PINION GEAR	-	1
3	30507	CALIPER ADJUSTING MECHANISM -R	-	1
4	30107	BRAKE CHAMBER COVER BOLT	M12 x 1.75 x 20 mm	2
5	30108	BRAKE CHAMBER COVER BOLT	M12 x 1.75 x 30 mm	6
6	30139	CALIPER ADJUSTING MECHANISM BOLT	-	1
7	30401	PLUG BOLT	-	1
8	37026	CALIPER PISTON SEAL	-	2
9	37012	CALIPER ADJUSTING MECHANISM SPRING	-	1
10	37109	PLUG BOLT WASHER	-	1
11	37006	CALIPER PISTON WAVY WASHER	-	2
12	38102	CALIPER PISTON CIRCLIP	-	2

**315406** > CALIPER ADJUSTING MECHANISM SET -R


PART NO	GW NO	CONTENTS	DIMENSION	QTY.
1	30107	CALIPER MECHANISM CENTRAL GEAR	-	1
2	30300	CALIPER MECHANISM PINION GEAR	-	1
3	30507	CALIPER ADJUSTING MECHANISM -R	-	1
4	30139	CALIPER ADJUSTING MECHANISM BOLT	-	1
5	37026	CALIPER PISTON SEAL	-	2
6	37012	CALIPER ADJUSTING MECHANISM SPRING	-	1
7	37006	CALIPER PISTON WAVY WASHER	-	2
8	38102	CALIPER PISTON CIRCLIP	-	2

**315405** > CALIPER ADJUSTING MECHANISM SET -R


PART NO	GW NO	CONTENTS	DIMENSION	QTY.
1	30507	CALIPER ADJUSTING MECHANISM -R	-	1
2	30139	CALIPER ADJUSTING MECHANISM BOLT	-	1
3	37026	CALIPER PISTON SEAL	-	2
4	37012	CALIPER ADJUSTING MECHANISM SPRING	-	1
5	37006	CALIPER PISTON WAVY WASHER	-	2
6	38102	CALIPER PISTON CIRCLIP	-	2

**352138 > CALIPER GUIDE PIN REPAIR KIT**



PART NO.	GW NO.	CONTENTS	DIMENSION	QTY.
1	36063	CALIPER GUIDE PIN	35 x 98 - 34.5 mm	1
2	36062	CALIPER GUIDE PIN	35 x 98 - 68 mm	1
3	36127	CALIPER GUIDE PIN BOLT	M18 x 2.5 x 55 mm	1
4	36128	CALIPER GUIDE PIN BOLT	M18 x 2.5 x 90 mm	1
5	36086	CALIPER PRESSURE PLATE BOLT	M10 x 1.5 x 20 mm	2
6	36187	BRAKE CHAMBER COVER BOLT	M12 x 1.75 x 20 mm	2
7	36188	BRAKE CHAMBER COVER BOLT	M12 x 1.75 x 30 mm	4
8	36089	ECCENTRIC SHAFT COVER BOLT	M8 x 1.25 x 20 mm	2
9	36218	CALIPER GUIDE PIN BOOT	-	2
10	36219	CALIPER TAPPET BOOT SEAL	-	2
11	36220	CALIPER TAPPET BOOT	-	2
12	36329	CALIPER GUIDE PIN BUSHING	∅ 39 x 35 x 50 mm	2
13	36411	PLUG BOLT	-	1
14	36412	CALIPER GUIDE PIN CAP	∅ 42 x 31 mm	2
15	17814	ECCENTRIC SHAFT COVER GASKET	-	1
16	37309	PLUG BOLT WASHER	-	1
17	37502	HEX HEAD PIN	-	1
18	38008	SPLIT PIN	-	1

MCK172

**352139 > CALIPER GUIDE PIN REPAIR KIT**



PART NO.	GW NO.	CONTENTS	DIMENSION	QTY.
1	36063	CALIPER GUIDE PIN	35 x 98 - 34.5 mm	1
2	36062	CALIPER GUIDE PIN	35 x 98 - 68 mm	1
3	36127	CALIPER GUIDE PIN BOLT	M18 x 2.5 x 55 mm	1
4	36128	CALIPER GUIDE PIN BOLT	M18 x 2.5 x 90 mm	1
5	36329	CALIPER GUIDE PIN BUSHING	∅ 39 x 35 x 50 mm	2
6	36412	CALIPER GUIDE PIN CAP	∅ 42 x 31 mm	2

**352141 > CALIPER BOOT & BOLT SET**



PART NO.	GW NO.	CONTENTS	DIMENSION	QTY.
1	36086	CALIPER PRESSURE PLATE BOLT	M10 x 1.5 x 20 mm	2
2	36187	BRAKE CHAMBER COVER BOLT	M12 x 1.75 x 20 mm	2
3	36188	BRAKE CHAMBER COVER BOLT	M12 x 1.75 x 30 mm	4
4	36089	ECCENTRIC SHAFT COVER BOLT	M8 x 1.25 x 20 mm	2
5	36218	CALIPER GUIDE PIN BOOT	-	2
6	36219	CALIPER TAPPET BOOT SEAL	-	2
7	36220	CALIPER TAPPET BOOT	-	2
8	36412	CALIPER GUIDE PIN CAP	∅ 42 x 31 mm	2

352140 > CALIPER BOOT & BOLT SET



MCK893

350112 > CALIPER BOOT SET



353101 > CALIPER REPAIR KIT



353105 > CALIPER REPAIR KIT



370117 > ECCENTRIC SHAFT COVER SEAL SET



362117 > ECCENTRIC SHAFT SEAL SET

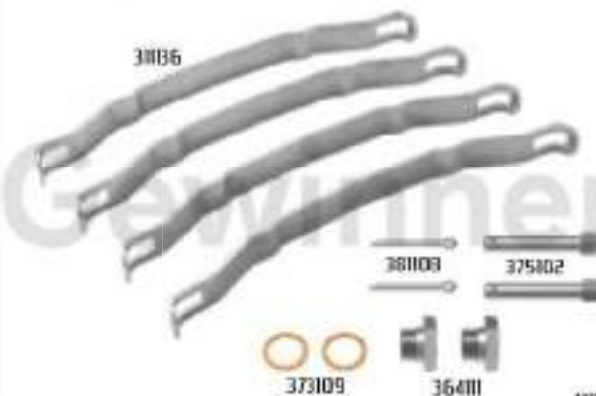


353104 > CALIPER REPAIR KIT



MCK155

311119 > BRAKE PAD RETAINER KIT



MBA000



BRAKE  
CALIPER  
REPAIR KITS



*for*  
**MERITOR**  
**DUCO**

**301426 > CALIPER COMPLETE REPAIR SET -R**

VOYVO FH2 / FL6 / FM9 / FM2



**C DUCO / LE DUCO**

PART NO	GW NO	CONTENTS	DIMENSION	QTY.
1	302402	CALIPER ADJUSTING MECHANISM SET -R	-	1
2	302406	CALIPER MANUAL ADJUSTING GEAR SET -R	-	1
3	302801	CALIPER ADJUSTING MECHANISM -R -REAR	-	1
4	307117	INTERMEDIATE GEAR & SPRING KIT	-	1
5	307410	CALIPER LEVER SET -R	-	1
6	311107	CALIPER MECHANISM ANTI ROTATION PLATE	-	1
7	341101	BRAKE PAD INDICATOR	-	1
8	352115	CALIPER GUIDE PIN REPAIR KIT	-	1
9	364107	CALIPER HEAD CAP (RUBBER)	-	1
10	371109	CALIPER COVER GASKET	-	1

**301526 > CALIPER COMPLETE REPAIR SET -L**

VOYVO FH2 / FL6 / FM9 / FM2



**C DUCO / LE DUCO**

PART NO	GW NO	CONTENTS	DIMENSION	QTY.
1	302502	CALIPER ADJUSTING MECHANISM SET -L	-	1
2	302506	CALIPER MANUAL ADJUSTING GEAR SET -L	-	1
3	302901	CALIPER ADJUSTING MECHANISM -L -REAR	-	1
4	307117	INTERMEDIATE GEAR & SPRING KIT	-	1
5	307510	CALIPER LEVER SET -L	-	1
6	311107	CALIPER MECHANISM ANTI ROTATION PLATE	-	1
7	341101	BRAKE PAD INDICATOR	-	1
8	352115	CALIPER GUIDE PIN REPAIR KIT	-	1
9	364107	CALIPER HEAD CAP (RUBBER)	-	1
10	371109	CALIPER COVER GASKET	-	1

**301427** > CALIPER COMPLETE REPAIR SET -R

VOLVO FH2 / FL6 / FM9 / FM2



C DUCO / LE DUCO

PART NO	GW NO	CONTENTS	DIMENSION	QTY.
1	302402	CALIPER ADJUSTING MECHANISM SET -R	-	1
2	302804	CALIPER ADJUSTING MECHANISM -R -REAR	-	1
3	307117	INTERMEDIATE GEAR & SPRING KIT	-	1
4	308104	CALIPER BEARING SET	-	1
5	31107	CALIPER MECHANISM ANTI ROTATION PLATE	-	1
6	341101	BRAKE PAD INDICATOR	-	1
7	352147	CALIPER GUIDE PIN REPAIR KIT	-	1
8	371106	CALIPER COVER GASKET SET	-	1

**301527** > CALIPER COMPLETE REPAIR SET -L

VOLVO FH2 / FL6 / FM9 / FM2



C DUCO / LE DUCO

PART NO	GW NO	CONTENTS	DIMENSION	QTY.
1	302502	CALIPER ADJUSTING MECHANISM SET -L	-	1
2	302904	CALIPER ADJUSTING MECHANISM -L -REAR	-	1
3	307117	INTERMEDIATE GEAR & SPRING KIT	-	1
4	308104	CALIPER BEARING SET	-	1
5	31107	CALIPER MECHANISM ANTI ROTATION PLATE	-	1
6	341101	BRAKE PAD INDICATOR	-	1
7	352147	CALIPER GUIDE PIN REPAIR KIT	-	1
8	371106	CALIPER COVER GASKET SET	-	1

**301437 > CALIPER COMPLETE REPAIR SET -R**

VOLVO TRUCK FH12 / FH16  
VOLVO TRUCK FM9 / FM10 / FM12 / FM1  
VOLVO BUS B7L / B12B / B12M



**DUCO AXIAL**

PART NO	GW NO	CONTENTS	DIMENSION	QTY.
1	302402	CALIPER ADJUSTING MECHANISM SET -R	-	1
2	302406	CALIPER MANUAL ADJUSTING GEAR SET -R	-	1
3	302801	CALIPER ADJUSTING MECHANISM -R -REAR	-	1
4	307101	INTERMEDIATE GEAR & SPRING KIT	-	1
5	307407	CALIPER LEVER SET -R	-	1
6	31106	CALIPER MECHANISM ANTI ROTATION PLATE	-	1
7	341101	BRAKE PAD INDICATOR	-	1
8	352115	CALIPER GUIDE PIN REPAIR KIT	-	1
9	364107	CALIPER HEAD CAP (RUBBER)	-	1
10	37110	CALIPER COVER GASKET	-	1

**301537 > CALIPER COMPLETE REPAIR SET -L**

VOLVO TRUCK FH12 / FH16  
VOLVO TRUCK FM9 / FM10 / FM12 / FM1  
VOLVO BUS B7L / B12B / B12M



**DUCO AXIAL**

PART NO	GW NO	CONTENTS	DIMENSION	QTY.
1	302502	CALIPER ADJUSTING MECHANISM SET -L	-	1
2	302506	CALIPER MANUAL ADJUSTING GEAR SET -L	-	1
3	302901	CALIPER ADJUSTING MECHANISM -L -REAR	-	1
4	307101	INTERMEDIATE GEAR & SPRING KIT	-	1
5	307507	CALIPER LEVER SET -L	-	1
6	31106	CALIPER MECHANISM ANTI ROTATION PLATE	-	1
7	341101	BRAKE PAD INDICATOR	-	1
8	352115	CALIPER GUIDE PIN REPAIR KIT	-	1
9	364107	CALIPER HEAD CAP (RUBBER)	-	1
10	37110	CALIPER COVER GASKET	-	1

**301428 > CALIPER COMPLETE REPAIR SET -R**

VOLVO TRUCK FH12 / FH16  
VOLVO TRUCK FM9 / FMD / FM12 / FMX  
VOLVO BUS B7L / B12B / B12M



DUCO AXIAL

PART NO	GW NO	CONTENTS	DIMENSION	QTY.
1	302402	CALIPER ADJUSTING MECHANISM SET -R	-	1
2	302804	CALIPER ADJUSTING MECHANISM -R -REAR	-	1
3	307101	INTERMEDIATE GEAR & SPRING KIT	-	1
4	308104	CALIPER BEARING SET	-	1
5	311106	CALIPER MECHANISM ANTI ROTATION PLATE	-	1
6	341101	BRAKE PAD INDICATOR	-	1
7	352147	CALIPER GUIDE PIN REPAIR KIT	-	1
8	371107	CALIPER COVER GASKET SET	-	1

**301528 > CALIPER COMPLETE REPAIR SET -L**

VOLVO TRUCK FH12 / FH16  
VOLVO TRUCK FM9 / FMD / FM12 / FMX  
VOLVO BUS B7L / B12B / B12M



DUCO AXIAL

PART NO	GW NO	CONTENTS	DIMENSION	QTY.
1	302502	CALIPER ADJUSTING MECHANISM SET -L	-	1
2	302904	CALIPER ADJUSTING MECHANISM -L -REAR	-	1
3	307101	INTERMEDIATE GEAR & SPRING KIT	-	1
4	308104	CALIPER BEARING SET	-	1
5	311106	CALIPER MECHANISM ANTI ROTATION PLATE	-	1
6	341101	BRAKE PAD INDICATOR	-	1
7	352147	CALIPER GUIDE PIN REPAIR KIT	-	1
8	371107	CALIPER COVER GASKET SET	-	1

**301114 > CALIPER COMPLETE REPAIR SET**

VOLVO TRUCK FH12 / FH16  
VOLVO TRUCK FM7 / FM9 / FM10 / FM12  
VOLVO BUS B12B / B12M



**D DUCO RADIAL**

PART NO.	GW NO.	CONTENTS	DIMENSION	QTY.
1	302402	CALIPER ADJUSTING MECHANISM SET	-	1
2	302406	CALIPER MANUAL ADJUSTING GEAR SET	-	1
3	302508	CALIPER ADJUSTING MECHANISM	-	1
4	302708	INTERMEDIATE GEAR & SPRING KIT	-	1
5	303016	CALIPER LEVER SET	-	1
6	30806	CALIPER MECHANISM ANTI ROTATION PLATE	-	1
7	34801	BRAKE PAD INDICATOR	-	1
8	35282	CALIPER GUIDE PIN REPAIR KIT	-	1
9	36409	CALIPER HEAD CAP (RUBBER)	-	1
10	37000	CALIPER COVER GASKET	-	1

**301115 > CALIPER COMPLETE REPAIR SET**

VOLVO TRUCK FH12 / FH16  
VOLVO TRUCK FM7 / FM9 / FM10 / FM12  
VOLVO BUS B12B / B12M



**D DUCO RADIAL**

PART NO.	GW NO.	CONTENTS	DIMENSION	QTY.
1	302402	CALIPER ADJUSTING MECHANISM SET -R	-	1
2	302508	CALIPER ADJUSTING MECHANISM	-	1
3	302708	INTERMEDIATE GEAR & SPRING KIT	-	1
4	303005	CALIPER BEARING SET	-	1
5	30806	CALIPER MECHANISM ANTI ROTATION PLATE	-	1
6	34801	BRAKE PAD INDICATOR	-	1
7	35286	CALIPER GUIDE PIN REPAIR KIT	-	1
8	36409	CALIPER HEAD CAP (RUBBER)	-	1
9	37000	CALIPER COVER GASKET	-	1

**301113 > CALIPER COMPLETE REPAIR SET**

VOLVO TRUCK FLG L MEDIUM



**B DUCO**

PART NO.	GW NO.	CONTENTS	DIMENSION	QTY.
1	302507	CALIPER ADJUSTING MECHANISM SET	-	1
2	302402	CALIPER ADJUSTING MECHANISM SET -R	-	1
3	302807	CALIPER LEVER SET	-	1
4	34801	BRAKE PAD INDICATOR	-	1
5	35285	CALIPER GUIDE PIN REPAIR KIT	-	1
6	36409	CALIPER HEAD CAP (RUBBER)	-	1

**302402 >** CALIPER ADJUSTING MECHANISM SET -R



ALL DUCO

PART NO	GW NO	CONTENTS	DIMENSION	QTY.
1	302403	CALIPER ADJUSTING MECHANISM -R	-	2
2	362005	CALIPER TAPPET BOOT	-	2
3	36380	ADJUSTING MECHANISM BUSHING (FIBER)	-	2
4	370004	ADJUSTING MECHANISM SEAL	-	2
5	380002	CALIPER TAPPET CIRCLIP	-	2
6	384001	CALIPER TAPPET	-	2

**302502 >** CALIPER ADJUSTING MECHANISM SET -L



ALL DUCO

PART NO	GW NO	CONTENTS	DIMENSION	QTY.
1	302503	CALIPER ADJUSTING MECHANISM -L	-	2
2	362005	CALIPER TAPPET BOOT	-	2
3	36380	ADJUSTING MECHANISM BUSHING (FIBER)	-	2
4	370004	ADJUSTING MECHANISM SEAL	-	2
5	380002	CALIPER TAPPET CIRCLIP	-	2
6	384001	CALIPER TAPPET	-	2

**302404 >** CALIPER ADJUSTING MECHANISM SET -R



ALL DUCO

PART NO	GW NO	CONTENTS	DIMENSION	QTY.
1	302403	CALIPER ADJUSTING MECHANISM -R	-	1
2	362005	CALIPER TAPPET BOOT	-	1
3	36380	ADJUSTING MECHANISM BUSHING (FIBER)	-	1
4	370004	ADJUSTING MECHANISM SEAL	-	1
5	380002	CALIPER TAPPET CIRCLIP	-	1
6	384001	CALIPER TAPPET	-	1

**302504 >** CALIPER ADJUSTING MECHANISM SET -L



ALL DUCO

PART NO	GW NO	CONTENTS	DIMENSION	QTY.
1	302503	CALIPER ADJUSTING MECHANISM -L	-	1
2	362005	CALIPER TAPPET BOOT	-	1
3	36380	ADJUSTING MECHANISM BUSHING (FIBER)	-	1
4	370004	ADJUSTING MECHANISM SEAL	-	1
5	380002	CALIPER TAPPET CIRCLIP	-	1
6	384001	CALIPER TAPPET	-	1

**302902** > CALIPER ADJUSTING MECHANISM SET -L -REAR



D DUCO AXIAL / LE DUCO / C DUCO

SJ4102

**302802** > CALIPER ADJUSTING MECHANISM SET -R -REAR



D DUCO AXIAL / LE DUCO / C DUCO

SJ4103  
3092266

**302901** > CALIPER ADJUSTING MECHANISM SET -L -REAR



D DUCO AXIAL / LE DUCO / C DUCO

SJ4102  
MCK111

**302801** > CALIPER ADJUSTING MECHANISM SET -R -REAR



D DUCO AXIAL / LE DUCO / C DUCO

SJ4103  
MCK112

**302601** > CALIPER ADJUSTING MECHANISM SET -R/L -FRONT



D DUCO RADIAL

SJ4110  
MCK113

**302602** > CALIPER ADJUSTING MECHANISM SET -R/L -FRONT



D DUCO RADIAL

SJ4110  
MCK113

DUCO

**302506** > CALIPER MANUAL ADJUSTING GEAR SET -L



D DUCO AXIAL / LE DUCO / C DUCO / B DUCO

3092281  
68322562

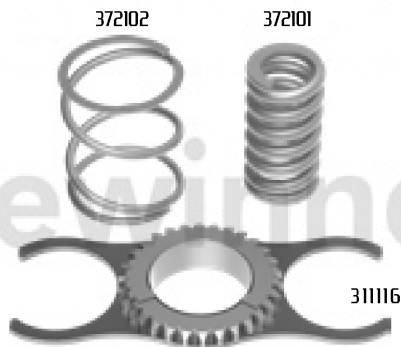
**302406** > CALIPER MANUAL ADJUSTING GEAR SET -R



D DUCO AXIAL / LE DUCO / C DUCO / B DUCO

3092280  
68322563

**307101** > INTERMEDIATE GEAR & SPRING KIT



D DUCO AXIAL / D DUCO RADIAL

MCK1067

**311106** > CALIPER MECHANISM ANTI ROTATION PLATE



D DUCO AXIAL / D DUCO RADIAL

68322900

**307117** > INTERMEDIATE GEAR & SPRING KIT



LE DUCO / C DUCO

MCK1029

**311107** > CALIPER MECHANISM ANTI ROTATION PLATE



LE DUCO / C DUCO

68322485

**302107** > CALIPER ADJUSTING MECHANISM SET



B DUCO

MCK1050

**307507 > CALIPER LEVER SET -L**



D DUCO AXIAL

**307407 > CALIPER LEVER SET -R**



D DUCO AXIAL

**307510 > CALIPER LEVER SET -L**



LE DUCO / C DUCO

**307410 > CALIPER LEVER SET -R**



LE DUCO / C DUCO

**307107 > CALIPER LEVER SET**



B DUCO

**307116 > CALIPER LEVER SET**



D DUCO RADIAL

**308104 > CALIPER BEARING SET**



D DUCO AXIAL / LE DUCO / C DUCO / B DUCO

**308115 > CALIPER BEARING SET**



D DUCO RADIAL

**308105 > CALIPER BEARING SET**



ALL DUCO

**352107** > CALIPER GUIDE PIN REPAIR KIT



D DUCO RADIAL

PART NO	GW NO	CONTENTS	DIMENSION	QTY.
1	36407	CALIPER GUIDE PIN	∅ 35 x 102 mm	2
2	36409	CALIPER GUIDE PIN BOLT	M20 x 2 x 125 mm	2
3	362102	CALIPER GUIDE PIN BOOT	-	2
4	362105	CALIPER TAPPET BOOT	-	2
5	363102	PIN DISHING (OVAL INTERNAL PROFILE)	∅ 39x35.2-36.2x30 mm	2
6	363104	CALIPER GUIDE PIN BUSHING	∅ 40 x 35 x 77 mm	1
7	364102	CALIPER GUIDE PIN CAP	∅ 40 x 18.5 mm	2
8	367106	CALIPER GUIDE PIN RING	∅ 40 x 37 x 11 mm	2

**352112** > CALIPER GUIDE PIN REPAIR KIT



D DUCO RADIAL

PART NO	GW NO	CONTENTS	DIMENSION	QTY.
1	36407	CALIPER GUIDE PIN	∅ 35 x 102 mm	2
2	36409	CALIPER GUIDE PIN BOLT	M20 x 2 x 125 mm	2
3	362102	CALIPER GUIDE PIN BOOT	-	2
4	363102	PIN DISHING (OVAL INTERNAL PROFILE)	∅ 39x35.2-36.2x30 mm	2
5	363106	CALIPER GUIDE PIN BUSHING	∅ 39 x 35 x 77 mm	1
6	364102	CALIPER GUIDE PIN CAP	∅ 40 x 18.5 mm	2
7	367106	CALIPER GUIDE PIN RING	∅ 40 x 37 x 11 mm	2

MCK118

**352115** > CALIPER GUIDE PIN REPAIR KIT



D DUCO AXIAL / LE DUCO / C DUCO / B DUCO

PART NO	GW NO	CONTENTS	DIMENSION	QTY.
1	36407	CALIPER GUIDE PIN	∅ 35 x 102 mm	1
2	36410	CALIPER GUIDE PIN	∅ 35 x 60 mm	1
3	36409	CALIPER GUIDE PIN BOLT	M20 x 2 x 125 mm	1
4	36410	CALIPER GUIDE PIN BOLT	M20 x 2 x 80 mm	1
5	362102	CALIPER GUIDE PIN BOOT	-	2
6	363102	PIN DISHING (OVAL INTERNAL PROFILE)	∅ 39x35.2-36.2x30 mm	1
7	363106	CALIPER GUIDE PIN BUSHING	∅ 39 x 35 x 77 mm	1
8	364102	CALIPER GUIDE PIN CAP	∅ 40 x 18.5 mm	2
9	367106	CALIPER GUIDE PIN RING	∅ 40 x 37 x 11 mm	2

MCK116

**352130 > CALIPER GUIDE PIN REPAIR KIT**

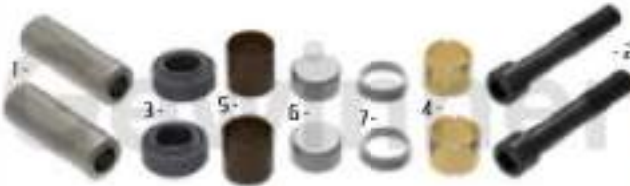


MOX134  
5J4094

**D DUCO AXIAL / LE DUCO / C DUCO / B DUCO**

PART NO.	GW NO.	CONTENTS	DIMENSION	QTY.
1	36007	CALIPER GUIDE PIN	Ø 35 x 102 mm	1
2	36008	CALIPER GUIDE PIN	Ø 35 x 60 mm	1
3	36009	CALIPER GUIDE PIN BOLT	M20 x 2 x 125 mm	1
4	36008	CALIPER GUIDE PIN BOLT	M20 x 2 x 80 mm	1
5	36202	CALIPER GUIDE PIN BOOT	-	2
6	36302	PIN BUSHING (OVAL INTERNAL PROFILE)	Ø 39x35,2-36,2x30 mm	1
7	36302	CALIPER GUIDE PIN BUSHING (FIBER)	Ø 39,7x35,6x38 mm	2
8	36402	CALIPER GUIDE PIN CAP	Ø 40 x 18,5 mm	2
9	36706	CALIPER GUIDE PIN RING	Ø 40 x 37 x 11 mm	2

**352131 > CALIPER GUIDE PIN REPAIR KIT**



MOX135  
5J4107

**D DUCO AXIAL / LE DUCO / C DUCO / B DUCO**

PART NO.	GW NO.	CONTENTS	DIMENSION	QTY.
1	36007	CALIPER GUIDE PIN	Ø 35 x 102 mm	2
2	36009	CALIPER GUIDE PIN BOLT	M20 x 2 x 125 mm	2
3	36202	CALIPER GUIDE PIN BOOT	-	2
4	36302	PIN BUSHING (OVAL INTERNAL PROFILE)	Ø 39x35,2-36,2x30 mm	2
5	36302	CALIPER GUIDE PIN BUSHING (FIBER)	Ø 39,7x35,6x38 mm	2
6	36402	CALIPER GUIDE PIN CAP	Ø 40 x 18,5 mm	2
7	36706	CALIPER GUIDE PIN RING	Ø 40 x 37 x 11 mm	2

**352132 > CALIPER GUIDE PIN REPAIR KIT**



**D DUCO AXIAL / LE DUCO / C DUCO / B DUCO**

PART NO.	GW NO.	CONTENTS	DIMENSION	QTY.
1	36007	CALIPER GUIDE PIN	Ø 35 x 102 mm	1
2	36008	CALIPER GUIDE PIN	Ø 35 x 60 mm	1
3	36009	CALIPER GUIDE PIN BOLT	M20 x 2 x 125 mm	1
4	36008	CALIPER GUIDE PIN BOLT	M20 x 2 x 80 mm	1
5	36202	CALIPER GUIDE PIN BOOT	-	2
6	36302	PIN BUSHING (OVAL INTERNAL PROFILE)	Ø 39x35,2-36,2x30 mm	1
7	36304	CALIPER GUIDE PIN BUSHING (FIBER)	Ø 40 x 35 x 77 mm	1
8	36302	CALIPER GUIDE PIN BUSHING (FIBER)	Ø 39,7x35,6x38 mm	2
9	36402	CALIPER GUIDE PIN CAP	Ø 40 x 18,5 mm	2
10	36706	CALIPER GUIDE PIN RING	Ø 40 x 37 x 11 mm	4

**352109 > CALIPER GUIDE PIN REPAIR KIT**



MOX065  
MOX066

**ALL DUCO**

PART NO.	GW NO.	CONTENTS	DIMENSION	QTY.
1	36007	CALIPER GUIDE PIN	Ø 35 x 102 mm	1
2	36202	CALIPER GUIDE PIN BOOT	-	2
3	36402	CALIPER GUIDE PIN CAP	Ø 40 x 18,5 mm	2

**352147** > CALIPER GUIDE PIN REPAIR KIT



D DUCO AXIAL / LE DUCO / C DUCO / B DUCO

PART NO	GW NO	CONTENTS	DIMENSION	QTY.
1	360107	CALIPER GUIDE PIN	∅ 35 x 102 mm	1
2	360108	CALIPER GUIDE PIN	∅ 35 x 60 mm	1
3	360109	CALIPER GUIDE PIN BOLT	M20 x 2 x 125 mm	1
4	360110	CALIPER GUIDE PIN BOLT	M20 x 2 x 80 mm	1
5	362102	CALIPER GUIDE PIN BOOT	-	2
6	362102	PIN BUSHING (OVAL INTERNAL PROFILE)	∅ 39x35.2-36.2x30 mm	1
7	363104	CALIPER GUIDE PIN BUSHING (FIBER)	∅ 40 x 35 x 77 mm	1
8	364102	CALIPER GUIDE PIN CAP	∅ 40 x 18.5 mm	2
9	367016	CALIPER GUIDE PIN RING	∅ 40 x 37 x 11 mm	2

**352146** > CALIPER GUIDE PIN REPAIR KIT



ALL DUCO

PART NO	GW NO	CONTENTS	DIMENSION	QTY.
1	360107	CALIPER GUIDE PIN	∅ 35 x 102 mm	2
2	360109	CALIPER GUIDE PIN BOLT	M20 x 2 x 125 mm	2
3	362102	CALIPER GUIDE PIN BOOT	-	2
4	362102	PIN BUSHING (OVAL INTERNAL PROFILE)	∅ 39x35.2-36.2x30 mm	2
5	363104	CALIPER GUIDE PIN BUSHING (FIBER)	∅ 40 x 35 x 77 mm	1
6	364102	CALIPER GUIDE PIN CAP	∅ 40 x 18.5 mm	2
7	367016	CALIPER GUIDE PIN RING	∅ 40 x 37 x 11 mm	2

**352108** > CALIPER GUIDE PIN REPAIR KIT



ALL DUCO

PART NO	GW NO	CONTENTS	DIMENSION	QTY.
1	360107	CALIPER GUIDE PIN	∅ 35 x 102 mm	2
2	362102	CALIPER GUIDE PIN BOOT	-	2
3	362105	CALIPER TAPPET BOOT	-	2
4	362102	PIN BUSHING (OVAL INTERNAL PROFILE)	∅ 39x35.2-36.2x30 mm	2
5	363104	CALIPER GUIDE PIN BUSHING	∅ 40 x 35 x 77 mm	1

**352127** > CALIPER GUIDE PIN REPAIR KIT



D DUCO AXIAL / LE DUCO / C DUCO / B DUCO

PART NO	GW NO	CONTENTS	DIMENSION	QTY.
1	360107	CALIPER GUIDE PIN	∅ 35 x 102 mm	1
2	360109	CALIPER GUIDE PIN BOLT	M20 x 2 x 125 mm	2
3	360110	CALIPER GUIDE PIN BOLT	M20 x 2 x 80 mm	1
4	362102	CALIPER GUIDE PIN BOOT	-	2
5	364102	CALIPER GUIDE PIN CAP	∅ 40 x 18.5 mm	2

NCK0299

**350104** > CALIPER BOOT SET



ALL DUCO

PART NO	GW NO	CONTENTS	DIMENSION	QTY.
1	36202	CALIPER GUIDE PIN BOOT	-	2
2	36205	CALIPER TAPPET BOOT	-	2
3	36382	PIN BUSHING (OVAL INTERNAL PROFILE)	Ø 39x35,2-36,2x30 mm	2
4	35384	CALIPER GUIDE PIN BUSHING	Ø 40 x 35 x 77 mm	1

**350119** > CALIPER BOOT SET



ALL DUCO

PART NO	GW NO	CONTENTS	DIMENSION	QTY.
1	36205	CALIPER TAPPET BOOT	-	10

**350105** > CALIPER BOOT SET



ALL DUCO

MCK3239

PART NO	GW NO	CONTENTS	DIMENSION	QTY.
1	36205	CALIPER TAPPET BOOT	-	2
2	36102	CALIPER TAPPET ORLIP	-	2
3	36401	CALIPER TAPPET	-	2

**350115** > CALIPER BOOT SET



ALL DUCO

PART NO	GW NO	CONTENTS	DIMENSION	QTY.
1	36202	CALIPER GUIDE PIN BOOT	-	2
2	36205	CALIPER TAPPET BOOT	-	2

**350101** > CALIPER BOOT SET



ALL DUCO

MCK139

PART NO	GW NO	CONTENTS	DIMENSION	QTY.
1	36205	CALIPER TAPPET BOOT	-	2

**350109** > CALIPER BOOT SET



ALL DUCO

PART NO	GW NO	CONTENTS	DIMENSION	QTY.
1	36202	CALIPER GUIDE PIN BOOT	-	2

**364118** > CALIPER SENSOR CAP SET



D DUCO AXIAL / LE DUCO / C DUCO / B DUCO 68130055

**356106** > CALIPER CAP SET



D DUCO AXIAL / LE DUCO / C DUCO / B DUCO

**356105** > CALIPER CAP SET



D DUCO AXIAL / LE DUCO / C DUCO / B DUCO

**367111** > CALIPER GUIDE PIN BOOT RING SET



ALL DUCO

**370119** > BRAKE CHAMBER SEAL SET



ALL DUCO 683 222 97 PK10

**370107** > BRAKE CHAMBER SEAL



ALL DUCO

**364107** > CALIPER HEAD CAP (RUBBER)



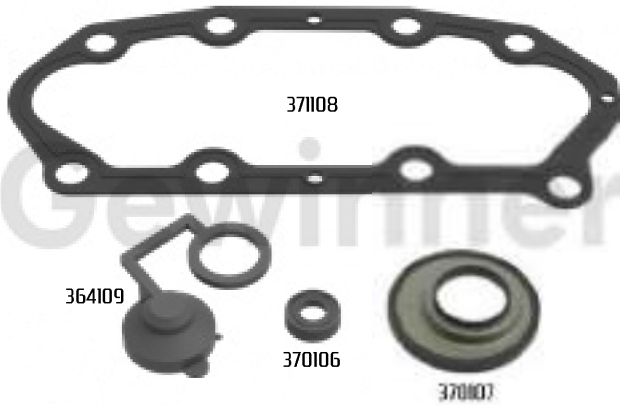
D DUCO AXIAL / LE DUCO / C DUCO / B DUCO

**364109** > CALIPER HEAD CAP (RUBBER)



D DUCO RADIAL / B DUCO

**371105** >> CALIPER COVER GASKET SET



D DUCO RADIAL

53409

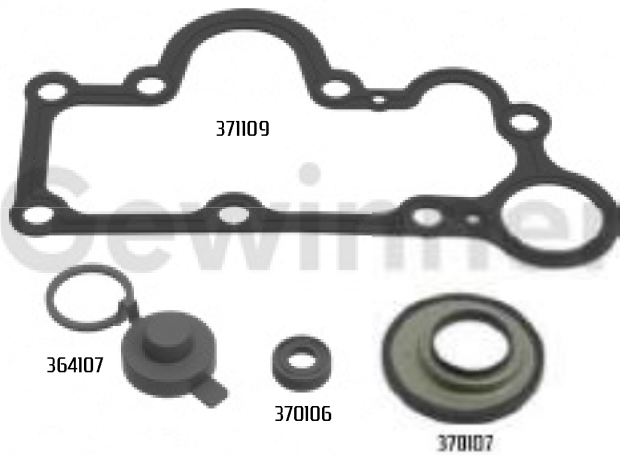
**371108** >> CALIPER COVER GASKET



D DUCO RADIAL

68322775

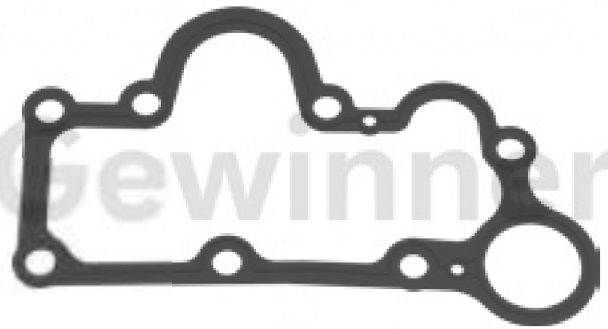
**371106** >> CALIPER COVER GASKET SET



LE DUCO / C DUCO

MCX041

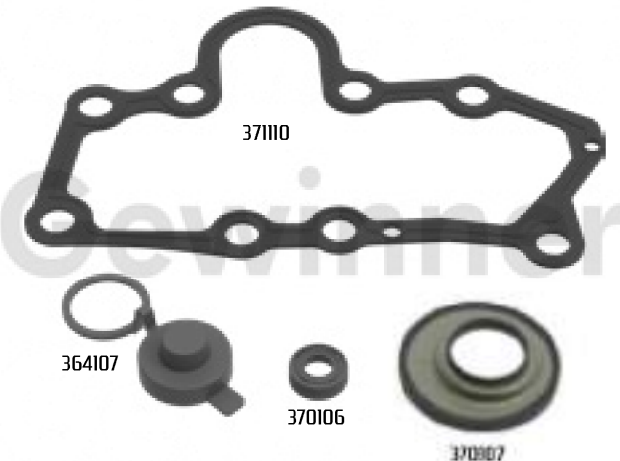
**371109** >> CALIPER COVER GASKET



LE DUCO / C DUCO

68323440

**371107** >> CALIPER COVER GASKET SET



D DUCO AXIAL

53405

**371110** >> CALIPER COVER GASKET



D DUCO AXIAL

6832274PK4

**311117** > BRAKE PAD RETAINER KIT



D DUCO AXIAL / D DUCO RADIAL / LE DUCO / C DUCO

MCK264

**311123** > BRAKE PAD RETAINER KIT



B DUCO

MCK1263

**311131** > BRAKE PAD RETAINER KIT



D DUCO AXIAL / D DUCO RADIAL

MBA104

**311132** > BRAKE PAD RETAINER KIT



C DUCO

MBA103

**341101** > BRAKE PAD INDICATOR



ALL DUCO

SJ4111



BRAKE  
CALIPER  
REPAIR KITS



*for*  
**MERITOR**  
**LISA**

**301429 > CALIPER COMPLETE REPAIR SET -R**

RENAULT MOLINER / MOLUUM



C LISA

PART NO.	GW NO.	CONTENTS	DIMENSION	QTY.
1	302401	CALIPER ADJUSTING MECHANISM SET -R	-	1
2	303405	CALIPER ADJUSTING GEAR SET -R	-	1
3	305103	BRAKE PAD PRESSURE PLATE	-	1
4	308109	CALIPER BEARING SET	-	1
5	313401	CALIPER OPERATING SHAFT SET -R	-	1
6	352136	CALIPER GUIDE PIN REPAIR KIT	-	1
7	362111	CALIPER TAPPET BOOT	-	1
8	367113	CALIPER OPERATING RING	Ø 42 x 56 x 6 mm	1
9	368102	CALIPER ADJUSTING MECHANISM O-RING	-	1
10	370108	CALIPER OPERATING SEAL	Ø 57 x 40 x 6 mm	1
11	370109	CALIPER OPERATING BEVEL SEAL	Ø 52 x 39 x 5.5 mm	1
12	371112	CALIPER COVER GASKET	-	1

**301529 > CALIPER COMPLETE REPAIR SET -L**

RENAULT MOLINER / MOLUUM



C LISA

PART NO.	GW NO.	CONTENTS	DIMENSION	QTY.
1	302501	CALIPER ADJUSTING MECHANISM SET -L	-	1
2	303505	CALIPER ADJUSTING GEAR SET -L	-	1
3	305103	BRAKE PAD PRESSURE PLATE	-	1
4	308109	CALIPER BEARING SET	-	1
5	313501	CALIPER OPERATING SHAFT SET -L	-	1
6	352136	CALIPER GUIDE PIN REPAIR KIT	-	1
7	362111	CALIPER TAPPET BOOT	-	1
8	367113	CALIPER OPERATING RING	Ø 42 x 56 x 6 mm	1
9	368102	CALIPER ADJUSTING MECHANISM O-RING	-	1
10	370108	CALIPER OPERATING SEAL	Ø 57 x 40 x 6 mm	1
11	370109	CALIPER OPERATING BEVEL SEAL	Ø 52 x 39 x 5.5 mm	1
12	371112	CALIPER COVER GASKET	-	1

**301430** > CALIPER COMPLETE REPAIR SET -R

 RENAULT PREMIUM PR / PREMIUM TR / AE / AE MAGNUM / MAGNUM E-TECH  
 RENAULT BUS AGORA  
 VOLVO BUS B7L / B7R / B10B / B10L / B12B


D LISA

PART NO.	GW NO.	CONTENTS	DIMENSION	QTY.
1	302401	CALIPER ADJUSTING MECHANISM SET -R	-	1
2	303405	CALIPER ADJUSTING GEAR SET -R	-	1
3	305102	BRAKE PAD PRESSURE PLATE	-	1
4	308109	CALIPER BEARING SET	-	1
5	313401	CALIPER OPERATING SHAFT SET -R	-	1
6	352110	CALIPER GUIDE PIN REPAIR KIT	-	1
7	362111	CALIPER TAPPET BOOT	-	1
8	367113	CALIPER OPERATING RING	Ø 42 x 56 x 6 mm	1
9	368102	CALIPER ADJUSTING MECHANISM O-RING	-	1
10	370108	CALIPER OPERATING SEAL	Ø 57 x 40 x 6 mm	1
11	370109	CALIPER OPERATING BEVEL SEAL	Ø 52 x 39 x 5,5 mm	1
12	371112	CALIPER COVER GASKET	-	1

**301530** > CALIPER COMPLETE REPAIR SET -L

 RENAULT PREMIUM PR / PREMIUM TR / AE / AE MAGNUM / MAGNUM E-TECH  
 RENAULT BUS AGORA  
 VOLVO BUS B7L / B7R / B10B / B10L / B12B


D LISA

PART NO.	GW NO.	CONTENTS	DIMENSION	QTY.
1	302501	CALIPER ADJUSTING MECHANISM SET -L	-	1
2	303505	CALIPER ADJUSTING GEAR SET -L	-	1
3	305102	BRAKE PAD PRESSURE PLATE	-	1
4	308109	CALIPER BEARING SET	-	1
5	313501	CALIPER OPERATING SHAFT SET -L	-	1
6	352110	CALIPER GUIDE PIN REPAIR KIT	-	1
7	362111	CALIPER TAPPET BOOT	-	1
8	367113	CALIPER OPERATING RING	Ø 42 x 56 x 6 mm	1
9	368102	CALIPER ADJUSTING MECHANISM O-RING	-	1
10	370108	CALIPER OPERATING SEAL	Ø 57 x 40 x 6 mm	1
11	370109	CALIPER OPERATING BEVEL SEAL	Ø 52 x 39 x 5,5 mm	1
12	371112	CALIPER COVER GASKET	-	1

**302501** >> CALIPER ADJUSTING MECHANISM SET -L



C LISA / D LISA

PART NO	GW NO	CONTENTS	DIMENSION	QTY.
1	302501	CALIPER ADJUSTING MECHANISM -L	-	1
2	303191	CALIPER ADJUSTING MECHANISM GEAR	-	1
3	362802	CALIPER ADJUSTING MECHANISM SEAL	-	1
4	372104	CALIPER ADJUSTING MECHANISM SPRING	-	1

5.34013

**303505** >> CALIPER ADJUSTING GEAR SET -L



C LISA / D LISA

PART NO	GW NO	CONTENTS	DIMENSION	QTY.
1	303501	CALIPER ADJUSTING GEAR -L	-	1
2	372106	CALIPER ADJUSTING GEAR SPRING	-	1

5.34073

**313501** >> CALIPER OPERATING SHAFT SET -L



C LISA / D LISA

MCK1021  
MCK1151

**302401** > CALIPER ADJUSTING MECHANISM SET -R


C LISA / D LISA

PART NO	GW NO	CONTENTS	DIMENSION	QTY.
1	302401	CALIPER ADJUSTING MECHANISM -R	-	1
2	303009	CALIPER ADJUSTING MECHANISM GEAR	-	1
3	362902	CALIPER ADJUSTING MECHANISM SEAL	-	1
4	372904	CALIPER ADJUSTING MECHANISM SPRING	-	1

SJM04

**303405** > CALIPER ADJUSTING GEAR SET -R


C LISA / D LISA

PART NO	GW NO	CONTENTS	DIMENSION	QTY.
1	303405	CALIPER ADJUSTING GEAR -R	-	1
2	372906	CALIPER ADJUSTING GEAR SPRING	-	1

SJM074

**313401** > CALIPER OPERATING SHAFT SET -R


C LISA / D LISA

MCK1022  
MCK1152

**314104** >> CALIPER SHAFT LEVER



C LISA / D LISA

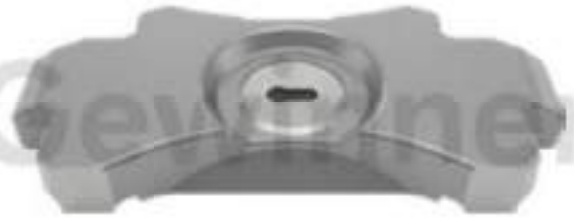
68915080  
68915091

**305103** >> BRAKE PAD PRESSURE PLATE



C LISA

**305102** >> BRAKE PAD PRESSURE PLATE



D LISA

5J407  
6832144

**308109** >> CALIPER BEARING SET



C LISA / D LISA

5J4031

**308114** >> CALIPER BEARING SET



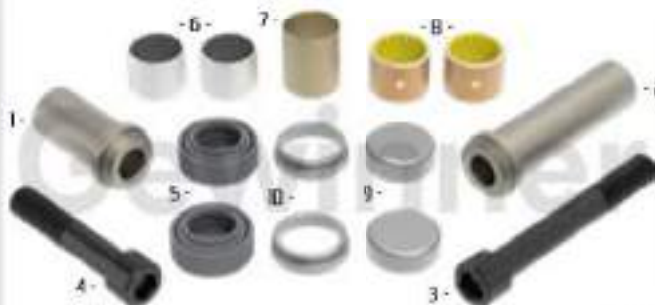
C LISA / D LISA

**352136** > CALIPER GUIDE PIN REPAIR KIT


5J4052

C LISA

PART NO	GW NO	CONTENTS	DIMENSION	QTY.
1	364123	CALIPER GUIDE PIN	∅ 30 x 115 mm	1
2	364124	CALIPER GUIDE PIN	∅ 30 x 75 mm	1
3	364129	CALIPER GUIDE PIN BOLT	M18 x 1.5 x 135 mm	1
4	364130	CALIPER GUIDE PIN BOLT	M18 x 1.5 x 95 mm	1
5	362106	CALIPER GUIDE PIN BOOT	-	2
6	361130	PIN BUSHING (OVAL INTERNAL PROFILE)	∅ 34x30-31x25 mm	1
7	363131	CALIPER GUIDE PIN BUSHING (FIBER)	∅ 34 x 30 x 26 mm	2
8	364103	CALIPER GUIDE PIN CAP	∅ 37 x 11 mm	1
9	364106	CALIPER GUIDE PIN CAP	∅ 42 x 45 mm	1
10	367109	CALIPER GUIDE PIN RING	∅ 42 x 32 x 12 mm	2

**352110** > CALIPER GUIDE PIN REPAIR KIT
5J4076  
MCK104

D LISA

PART NO	GW NO	CONTENTS	DIMENSION	QTY.
1	364106	CALIPER GUIDE PIN	∅ 35 x 79 mm	1
2	364108	CALIPER GUIDE PIN	∅ 35 x 132 mm	1
3	364107	CALIPER GUIDE PIN BOLT	M20 x 1.5 x 150 mm	1
4	364128	CALIPER GUIDE PIN BOLT	M20 x 1.5 x 99 mm	1
5	362102	CALIPER GUIDE PIN BOOT	-	2
6	363105	CALIPER GUIDE PIN BUSHING	∅ 39 x 35 x 30 mm	2
7	363106	CALIPER GUIDE PIN BUSHING	∅ 39x36,2-35,2x47 mm	1
8	363109	CALIPER GUIDE PIN BUSHING	∅ 41 x 35 x 30 mm	2
9	364104	CALIPER GUIDE PIN CAP	∅ 45 x 15 mm	2
10	362103	CALIPER GUIDE PIN RING	∅ 47 x 37 x 12 mm	2

**364110** > CALIPER GUIDE PIN BOLT & CAP SET


5J4021

D LISA

PART NO	GW NO	CONTENTS	DIMENSION	QTY.
1	364107	CALIPER GUIDE PIN BOLT	M20 x 1.5 x 150 mm	1
2	364128	CALIPER GUIDE PIN BOLT	M20 x 1.5 x 99 mm	1
3	364104	CALIPER GUIDE PIN CAP	∅ 45 x 15 mm	2

**361133** > CALIPER COVER BOLT SET


C LISA / D LISA

PART NO	GW NO	CONTENTS	DIMENSION	QTY.
1	364113	CALIPER COVER BOLT	M14 x 1.5 x 90 mm	7

**370111 > CALIPER BOOT SET**



534078  
534032

**E LISA / D LISA**

PART NO.	GW NO.	CONTENTS	DIMENSION	QTY.
1	36142	GREASE RIPPLE	-	1
2	36202	CALIPER GUIDE PIN BOOT	-	2
3	36211	CALIPER TAPPET BOOT	-	1
4	36202	CALIPER ADJUSTING MECHANISM SEAL	-	1
5	36216	CALIPER GUIDE PIN BOOT	-	2
6	36711	CALIPER OPERATING RING	Ø 42 x 56 x 6 mm	1
7	36802	CALIPER ADJUSTING MECHANISM O-RING	-	1
8	371103	CALIPER OPERATING SEAL	Ø 57 x 40 x 6 mm	1
9	371103	CALIPER OPERATING BEVEL SEAL	Ø 52 x 39 x 5.5 mm	1
10	37112	CALIPER COVER GASKET	-	1

**370103 > CALIPER BOOT SET**



534061

**E LISA / D LISA**

PART NO.	GW NO.	CONTENTS	DIMENSION	QTY.
1	36211	CALIPER TAPPET BOOT	-	1
2	36202	CALIPER ADJUSTING MECHANISM SEAL	-	1
3	36216	CALIPER GUIDE PIN BOOT	-	2
4	36711	CALIPER OPERATING RING	Ø 42 x 56 x 6 mm	1
5	36802	CALIPER ADJUSTING MECHANISM O-RING	-	1
6	371103	CALIPER OPERATING SEAL	Ø 57 x 40 x 6 mm	1
7	371103	CALIPER OPERATING BEVEL SEAL	Ø 52 x 39 x 5.5 mm	1
8	37112	CALIPER COVER GASKET	-	1

**350120 > CALIPER BOOT SET**



534077

**E LISA / D LISA**

PART NO.	GW NO.	CONTENTS	DIMENSION	QTY.
1	36202	CALIPER GUIDE PIN BOOT	-	2
2	36216	CALIPER GUIDE PIN BOOT	-	2

**350121 > CALIPER BOOT SET**



534053

**E LISA / D LISA**

PART NO.	GW NO.	CONTENTS	DIMENSION	QTY.
1	36216	CALIPER GUIDE PIN BOOT	-	2

**359101** > CALIPER GUIDE PIN BUSHING SET


D LISA

PART NO	GW NO	CONTENTS	DIMENSION	QTY.
1	363105	CALIPER GUIDE PIN BUSHING	∅ 39 x 35 x 30 mm	10

**311134** > BRAKE PAD RETAINER REPAIR KIT


D LISA

PART NO	GW NO	CONTENTS	DIMENSION	QTY.
1	38037	BRAKE PAD SPRING	-	2
2	38043	BRAKE PAD SPRING	-	8
3	380100	BRAKE PAD PIN	-	8
4	38004	SPLIT PIN	-	4

**311133** > BRAKE PAD RETAINER REPAIR KIT


D LISA

PART NO	GW NO	CONTENTS	DIMENSION	QTY.
1	38037	BRAKE PAD SPRING	-	2
2	380103	BRAKE PAD PIN	-	4
3	38004	SPLIT PIN	-	4

S.14022



BRAKE  
CALIPER  
REPAIR KITS



*for*  
**MERITOR**  
**D3**

**301802 > CALIPER COMPLETE REPAIR SET -R -REAR**

MERCEDES 0350 / 0403 / 0404



PART NO	GW NO	CONTENTS	DIMENSION	QTY.
1	303402	CALIPER ADJUSTING GEAR SET -R	-	1
2	305401	DRIVE PAD PRESSURE PLATE	-	1
3	305608	CALIPER OPERATING SHAFT SET -R -REAR	26 TEETH	1
4	307402	CALIPER OPERATING SHAFT BEARING HOUSE -R	-	1
5	308002	CALIPER OPERATING SHAFT BEARING	-	1
6	308003	CALIPER OPERATING SHAFT BEARING	-	1
7	34801	CALIPER SHAFT LEVER	26 TEETH	1
8	340401	CALIPER ADJUSTING GEAR CLUTCH SYSTEM -R	-	1
9	358004	CALIPER GUIDE PIN REPAIR KIT	-	1
10	355501	CALIPER MANUAL ADJUSTER REPAIR KIT -L	-	1
11	356401	CALIPER OPERATING SHAFT COVER SET	-	1
12	370104	CALIPER SEAL & BUSHING KIT	-	1
13	378101	CALIPER OPERATING SHAFT WAVY WASHER	-	1

**301902 > CALIPER COMPLETE REPAIR SET -L -REAR**

MERCEDES 0350 / 0403 / 0404



PART NO	GW NO	CONTENTS	DIMENSION	QTY.
1	307502	CALIPER ADJUSTING GEAR SET -L	-	1
2	305401	DRIVE PAD PRESSURE PLATE	-	1
3	305901	CALIPER OPERATING SHAFT SET -L -REAR	26 TEETH	1
4	307502	CALIPER OPERATING SHAFT BEARING HOUSE -L	-	1
5	308002	CALIPER OPERATING SHAFT BEARING	-	1
6	308003	CALIPER OPERATING SHAFT BEARING	-	1
7	34801	CALIPER SHAFT LEVER	26 TEETH	1
8	340501	CALIPER ADJUSTING GEAR CLUTCH SYSTEM -L	-	1
9	358004	CALIPER GUIDE PIN REPAIR KIT	-	1
10	355401	CALIPER MANUAL ADJUSTER REPAIR KIT -R	-	1
11	356401	CALIPER OPERATING SHAFT COVER SET	-	1
12	370104	CALIPER SEAL & BUSHING KIT	-	1
13	378101	CALIPER OPERATING SHAFT WAVY WASHER	-	1

**301801** > CALIPER REPAIR KIT -R -REAR

MERCEDES 0350 / 0403 / 0404



PART NO	GW NO	CONTENTS	DIMENSION	QTY.
1	301402	CALIPER ADJUSTING GEAR SET -R	-	1
2	306901	CALIPER OPERATING SHAFT SET -R -REAR	26 TEETH	1
3	301402	CALIPER OPERATING SHAFT BEARING HOUSE -R	-	1
4	308102	CALIPER OPERATING SHAFT BEARING	-	1
5	308103	CALIPER OPERATING SHAFT BEARING	-	1
6	300401	CALIPER ADJUSTING GEAR CLUTCH SYSTEM -R	-	1
7	355501	CALIPER MANUAL ADJUSTER REPAIR KIT -L	-	1
8	356101	CALIPER OPERATING SHAFT COVER SET	-	1
9	36380	CALIPER OPERATING SHAFT BUSHING	∅ 55 x 50 x 20.5 mm	1
10	366101	CALIPER OPERATING SHAFT COVER	-	1
11	376101	CALIPER OPERATING SHAFT WAVY WASHER	-	1

**301901** > CALIPER REPAIR KIT -L -REAR

MERCEDES 0350 / 0403 / 0404



PART NO	GW NO	CONTENTS	DIMENSION	QTY.
1	301502	CALIPER ADJUSTING GEAR SET -L	-	1
2	306901	CALIPER OPERATING SHAFT SET -L -REAR	26 TEETH	1
3	301502	CALIPER OPERATING SHAFT BEARING HOUSE -L	-	1
4	308102	CALIPER OPERATING SHAFT BEARING	-	1
5	308103	CALIPER OPERATING SHAFT BEARING	-	1
6	340501	CALIPER ADJUSTING GEAR CLUTCH SYSTEM -L	-	1
7	355401	CALIPER MANUAL ADJUSTER REPAIR KIT -R	-	1
8	356101	CALIPER OPERATING SHAFT COVER SET	-	1
9	36380	CALIPER OPERATING SHAFT BUSHING	∅ 55 x 50 x 20.5 mm	1
10	366101	CALIPER OPERATING SHAFT COVER	-	1
11	376101	CALIPER OPERATING SHAFT WAVY WASHER	-	1

**301604** > CALIPER COMPLETE REPAIR SET -R -FRONT

MERCEDES 0350 / 0403 / 0404  
 EVOBUS INTEGR0  
 SETRA 535 GT



PART NO	GW NO	CONTENTS	DIMENSION	QTY.
1	303402	CALIPER ADJUSTING GEAR SET -R	-	1
2	305401	DRIVE PAD PRESSURE PLATE	-	1
3	305601	CALIPER OPERATING SHAFT SET -R -FRONT	26 TEETH	1
4	307402	CALIPER OPERATING SHAFT BEARING HOUSE -R	-	1
5	308002	CALIPER OPERATING SHAFT BEARING	-	1
6	308003	CALIPER OPERATING SHAFT BEARING	-	1
7	34801	CALIPER SHAFT LEVER	26 TEETH	1
8	340401	CALIPER ADJUSTING GEAR CLUTCH SYSTEM -R	-	1
9	358004	CALIPER GUIDE PIN REPAIR KIT	-	1
10	355501	CALIPER MANUAL ADJUSTER REPAIR KIT -L	-	1
11	356401	CALIPER OPERATING SHAFT COVER SET	-	1
12	370104	CALIPER SEAL & BUSHING KIT	-	1
13	378101	CALIPER OPERATING SHAFT WAVY WASHER	-	1

**301704** > CALIPER COMPLETE REPAIR SET -L -FRONT

MERCEDES 0350 / 0403 / 0404  
 EVOBUS INTEGR0  
 SETRA 535 GT



PART NO	GW NO	CONTENTS	DIMENSION	QTY.
1	307502	CALIPER ADJUSTING GEAR SET -L	-	1
2	305401	DRIVE PAD PRESSURE PLATE	-	1
3	306701	CALIPER OPERATING SHAFT SET -L -FRONT	26 TEETH	1
4	307502	CALIPER OPERATING SHAFT BEARING HOUSE -L	-	1
5	308002	CALIPER OPERATING SHAFT BEARING	-	1
6	308003	CALIPER OPERATING SHAFT BEARING	-	1
7	34801	CALIPER SHAFT LEVER	26 TEETH	1
8	340501	CALIPER ADJUSTING GEAR CLUTCH SYSTEM -L	-	1
9	358004	CALIPER GUIDE PIN REPAIR KIT	-	1
10	355401	CALIPER MANUAL ADJUSTER REPAIR KIT -R	-	1
11	356401	CALIPER OPERATING SHAFT COVER SET	-	1
12	370104	CALIPER SEAL & BUSHING KIT	-	1
13	378101	CALIPER OPERATING SHAFT WAVY WASHER	-	1

**301601** > CALIPER REPAIR SET -R -FRONT

MERCEDES 0350 / 0403 / 0404  
EVOBUS INTEGRO  
SETRA 5315 GT



PART NO	GW NO	CONTENTS	DIMENSION	QTY.
1	301402	CALIPER ADJUSTING GEAR SET -R	-	1
2	306601	CALIPER OPERATING SHAFT SET -R -FRONT	26 TEETH	1
3	301402	CALIPER OPERATING SHAFT BEARING HOUSE -R	-	1
4	308102	CALIPER OPERATING SHAFT BEARING	-	1
5	308103	CALIPER OPERATING SHAFT BEARING	-	1
6	340401	CALIPER ADJUSTING GEAR CLUTCH SYSTEM -R	-	1
7	355501	CALIPER MANUAL ADJUSTER REPAIR KIT -L	-	1
8	356101	CALIPER OPERATING SHAFT COVER SET	-	1
9	36380	CALIPER OPERATING SHAFT BUSHING	Ø 55 x 50 x 20.5 mm	1
10	366101	CALIPER OPERATING SHAFT COVER	-	1
11	376101	CALIPER OPERATING SHAFT WAVY WASHER	-	1

**301701** > CALIPER REPAIR SET -L -FRONT

MERCEDES 0350 / 0403 / 0404  
EVOBUS INTEGRO  
SETRA 5315 GT



PART NO	GW NO	CONTENTS	DIMENSION	QTY.
1	301502	CALIPER ADJUSTING GEAR SET -L	-	1
2	306701	CALIPER OPERATING SHAFT SET -L -FRONT	26 TEETH	1
3	301502	CALIPER OPERATING SHAFT BEARING HOUSE -L	-	1
4	308102	CALIPER OPERATING SHAFT BEARING	-	1
5	308103	CALIPER OPERATING SHAFT BEARING	-	1
6	340501	CALIPER ADJUSTING GEAR CLUTCH SYSTEM -L	-	1
7	355401	CALIPER MANUAL ADJUSTER REPAIR KIT -R	-	1
8	356101	CALIPER OPERATING SHAFT COVER SET	-	1
9	36380	CALIPER OPERATING SHAFT BUSHING	Ø 55 x 50 x 20.5 mm	1
10	366101	CALIPER OPERATING SHAFT COVER	-	1
11	376101	CALIPER OPERATING SHAFT WAVY WASHER	-	1

**301603 > CALIPER COMPLETE REPAIR SET -R -FRONT**

MAN F2000 / F90  
RENAULT PREMIUM / MAGNUM



PART NO	GW NO	CONTENTS	DIMENSION	QTY.
1	303402	CALIPER ADJUSTING GEAR SET -R	-	1
2	305401	DRIVE PAD PRESSURE PLATE	-	1
3	306602	CALIPER OPERATING SHAFT SET -R -FRONT	48 TEETH	1
4	307402	CALIPER OPERATING SHAFT BEARING HOUSE -R	-	1
5	308002	CALIPER OPERATING SHAFT BEARING	-	1
6	308003	CALIPER OPERATING SHAFT BEARING	-	1
7	34005	CALIPER SHAFT LEVER	48 TEETH	1
8	340401	CALIPER ADJUSTING GEAR CLUTCH SYSTEM -R	-	1
9	35804	CALIPER GUIDE PIN REPAIR KIT	-	1
10	355401	CALIPER MANUAL ADJUSTER REPAIR KIT -L	-	1
11	356401	CALIPER OPERATING SHAFT COVER SET	-	1
12	37014	CALIPER SEAL & BUSHING KIT	-	1
13	37801	CALIPER OPERATING SHAFT WAVY WASHER	-	1

**301703 > CALIPER COMPLETE REPAIR SET -L -FRONT**

MAN F2000 / F90  
RENAULT PREMIUM / MAGNUM



PART NO	GW NO	CONTENTS	DIMENSION	QTY.
1	307502	CALIPER ADJUSTING GEAR SET -L	-	1
2	305401	DRIVE PAD PRESSURE PLATE	-	1
3	306702	CALIPER OPERATING SHAFT SET -L -FRONT	48 TEETH	1
4	307502	CALIPER OPERATING SHAFT BEARING HOUSE -L	-	1
5	308002	CALIPER OPERATING SHAFT BEARING	-	1
6	308003	CALIPER OPERATING SHAFT BEARING	-	1
7	34005	CALIPER SHAFT LEVER	48 TEETH	1
8	340501	CALIPER ADJUSTING GEAR CLUTCH SYSTEM -L	-	1
9	35804	CALIPER GUIDE PIN REPAIR KIT	-	1
10	355401	CALIPER MANUAL ADJUSTER REPAIR KIT -R	-	1
11	356401	CALIPER OPERATING SHAFT COVER SET	-	1
12	37014	CALIPER SEAL & BUSHING KIT	-	1
13	37801	CALIPER OPERATING SHAFT WAVY WASHER	-	1

**301602 > CALIPER REPAIR SET -R -FRONT**

MAN F2000 / F90  
RENAULT PREMIUM / MAGNUM



PART NO.	GW NO.	CONTENTS	DIMENSION	QTY.
1	301402	CALIPER ADJUSTING GEAR SET -R	-	1
2	301602	CALIPER OPERATING SHAFT SET -R -FRONT	48 TEETH	1
3	301402	CALIPER OPERATING SHAFT BEARING HOUSE -R	-	1
4	301802	CALIPER OPERATING SHAFT BEARING	-	1
5	301803	CALIPER OPERATING SHAFT BEARING	-	1
6	301401	CALIPER ADJUSTING GEAR CLUTCH SYSTEM -R	-	1
7	355401	CALIPER MANUAL ADJUSTER REPAIR KIT -L	-	1
8	356001	CALIPER OPERATING SHAFT COVER SET	-	1
9	36380	CALIPER OPERATING SHAFT BUSHING	Ø 55 x 50 x 20.5 mm	1
10	366001	CALIPER OPERATING SHAFT COVER	-	1
11	376001	CALIPER OPERATING SHAFT WAVY WASHER	-	1

**301702 > CALIPER REPAIR SET -L -FRONT**

MAN F2000 / F90  
RENAULT PREMIUM / MAGNUM



PART NO.	GW NO.	CONTENTS	DIMENSION	QTY.
1	301502	CALIPER ADJUSTING GEAR SET -L	-	1
2	301702	CALIPER OPERATING SHAFT SET -L -FRONT	48 TEETH	1
3	301502	CALIPER OPERATING SHAFT BEARING HOUSE -L	-	1
4	301802	CALIPER OPERATING SHAFT BEARING	-	1
5	301803	CALIPER OPERATING SHAFT BEARING	-	1
6	340501	CALIPER ADJUSTING GEAR CLUTCH SYSTEM -L	-	1
7	355401	CALIPER MANUAL ADJUSTER REPAIR KIT -R	-	1
8	356001	CALIPER OPERATING SHAFT COVER SET	-	1
9	36380	CALIPER OPERATING SHAFT BUSHING	Ø 55 x 50 x 20.5 mm	1
10	366001	CALIPER OPERATING SHAFT COVER	-	1
11	376001	CALIPER OPERATING SHAFT WAVY WASHER	-	1

**303502** > CALIPER ADJUSTING GEAR SET -L**303402** > CALIPER ADJUSTING GEAR SET -R**355501** > CALIPER MANUAL ADJUSTER REPAIR KIT -L**355401** > CALIPER MANUAL ADJUSTER REPAIR KIT -R**340503** > CALIPER ADJUSTING GEAR CLUTCH SYSTEM -L**340403** > CALIPER ADJUSTING GEAR CLUTCH SYSTEM -R**340501** > CALIPER ADJUSTING GEAR CLUTCH SYSTEM -L**340401** > CALIPER ADJUSTING GEAR CLUTCH SYSTEM -R**372507** > ADJUSTING MECHANISM SPRING SET -L**372407** > ADJUSTING MECHANISM SPRING SET -R

**381103** > CALIPER OPERATING SHAFT  
CALIBRATION RING SET



**381106** > CALIPER OPERATING SHAFT  
CALIBRATION RING



**381110** > CALIPER OPERATING SHAFT  
CALIBRATION RING SET



**370120** > CALIPER OPERATING SHAFT SEAL SET



**303102** > ADJUSTING MECHANISM GEAR



**361101** > ADJUSTING MECHANISM CALIBRATION  
BOLT SET



**340101** > CALIPER ADJUSTING GEAR CLUTCH SYSTEM



**306901** >> CALIPER OPERATING SHAFT SET -L -REAR  
26 TEETH**306801** >> CALIPER OPERATING SHAFT SET -R -REAR  
26 TEETH**306701** >> CALIPER OPERATING SHAFT SET -L -FRONT  
26 TEETH**306601** >> CALIPER OPERATING SHAFT SET -R -FRONT  
26 TEETH**307502** >> CALIPER OPERATING SHAFT BEARING  
HOUSE -L**307402** >> CALIPER OPERATING SHAFT BEARING  
HOUSE -R**306702** >> CALIPER OPERATING SHAFT SET -L -FRONT  
48 TEETH**306602** >> CALIPER OPERATING SHAFT SET -R -FRONT  
48 TEETH

**314101** > CALIPER SHAFT LEVER 26 TEETH



68320835  
31932070  
68321507  
68321508

**314105** > CALIPER SHAFT LEVER 48 TEETH



68321502

**305101** > BRAKE PAD PRESSURE PLATE



68320192  
68321272

**356101** > CALIPER OPERATING SHAFT COVER SET



5.1122

**356102** > CALIPER OPERATING SHAFT COVER SET



**356103** > CALIPER OPERATING SHAFT COVER SET



**370114** > CALIPER BUSHING & SEAL KIT



**308102** >> CALIPER OPERATING SHAFT BEARING**308103** >> CALIPER OPERATING SHAFT BEARING**366101** >> CALIPER OPERATING SHAFT COVER**366102** >> CALIPER OPERATING SHAFT SEAL**378102** >> ADJUSTING MECHANISM GEAR WAVY WASHER**363110** >> CALIPER OPERATING SHAFT BUSHING

DIMENSIONS

Ø 55 x 50 x 20,5 mm

**351101** > CALIPER GUIDE PIN REPAIR KIT



PART NO	GW NO	CONTENTS	DIMENSION	QTY.
1	31001	CALIPER GUIDE PIN DUST COVER	-	2
2	360102	CALIPER GUIDE PIN	∅ 32 x 74 mm	1
3	360103	CALIPER GUIDE PIN	∅ 32 x 117 mm	1
4	36021	CALIPER GUIDE PIN BOLT	M18 x 1.5 x 120 mm	1
5	36030	CALIPER GUIDE PIN BOLT	M18 x 1.5 x 95 mm	1
6	362103	CALIPER GUIDE PIN BOOT	-	2
7	363103	CALIPER GUIDE PIN BUSHING	∅ 36 x 32 x 42 mm	2
8	363104	CALIPER GUIDE PIN BUSHING	∅ 36 x 32 x 62 mm	1
9	364103	CALIPER GUIDE PIN CAP	∅ 37 x 12 mm	2

**351104** > CALIPER GUIDE PIN REPAIR KIT



PART NO	GW NO	CONTENTS	DIMENSION	QTY.
1	31001	CALIPER GUIDE PIN DUST COVER	-	2
2	360102	CALIPER GUIDE PIN	∅ 32 x 74 mm	1
3	360103	CALIPER GUIDE PIN	∅ 32 x 117 mm	1
4	36021	CALIPER GUIDE PIN BOLT	M18 x 1.5 x 120 mm	1
5	36030	CALIPER GUIDE PIN BOLT	M18 x 1.5 x 95 mm	1
6	362103	CALIPER GUIDE PIN BOOT	-	2
7	363103	CALIPER GUIDE PIN BUSHING	∅ 36 x 32 x 42 mm	2
8	363128	PIN BUSHING (OVAL INTERNAL PROFILE)	∅ 36x32-33x62 mm	1
9	364103	CALIPER GUIDE PIN CAP	∅ 37 x 12 mm	2

5.1408  
MCR023

**351102** > CALIPER GUIDE PIN REPAIR KIT



PART NO	GW NO	CONTENTS	DIMENSION	QTY.
1	31001	CALIPER GUIDE PIN DUST COVER	-	2
2	360102	CALIPER GUIDE PIN	∅ 32 x 74 mm	1
3	360103	CALIPER GUIDE PIN	∅ 32 x 117 mm	1
4	36021	CALIPER GUIDE PIN BOLT	M18 x 1.5 x 120 mm	1
5	36030	CALIPER GUIDE PIN BOLT	M18 x 1.5 x 95 mm	1
6	362103	CALIPER GUIDE PIN BOOT	-	2
7	364103	CALIPER GUIDE PIN CAP	∅ 37 x 12 mm	2

5.14001

**351103** > CALIPER GUIDE PIN REPAIR KIT



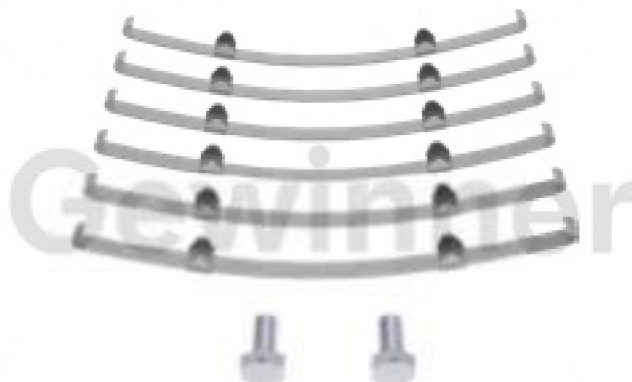
PART NO	GW NO	CONTENTS	DIMENSION	QTY.
1	31001	CALIPER GUIDE PIN DUST COVER	-	2
2	360102	CALIPER GUIDE PIN	∅ 32 x 74 mm	1
3	360103	CALIPER GUIDE PIN	∅ 32 x 117 mm	1
4	36021	CALIPER GUIDE PIN BOLT	M18 x 1.5 x 120 mm	1
5	36030	CALIPER GUIDE PIN BOLT	M18 x 1.5 x 95 mm	1
6	362103	CALIPER GUIDE PIN BOOT	-	2
7	363103	CALIPER GUIDE PIN BUSHING	∅ 36 x 32 x 42 mm	2
8	364103	CALIPER GUIDE PIN CAP	∅ 37 x 12 mm	2

5.1203

**350114** >> CALIPER BOOT SET**361132** >> CALIPER BOLT SET

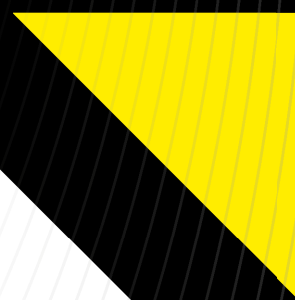
DIMENSIONS

M 16 x 1.5 x 60 mm

**311125** >> BRAKE PAD RETAINER REPAIR KIT68320550  
68323027**311126** >> BRAKE PAD RETAINER REPAIR KIT

MBA108

[www.gewinnerbrake.com](http://www.gewinnerbrake.com)



WEAR SENSOR CABLES

*for*  
**MERITOR**  
**WEAR SENSOR CABLES**



BRAKE  
CALIPER  
REPAIR KITS

**320101** > WEAR INDICATOR



68327662X

**320102** > CONTINUOUS WEAR SENSOR



PLUG TYPE 1



ELSA 2 AXIAL (LRG 547 / LRG 548) / D LISA (LRG 638 / LRG 639)

LENGTH	VEHICLE	OEM
30 cm	MAN TGA	MCK147 CMSK443

**320103** > CONTINUOUS WEAR SENSOR



PLUG TYPE 1



LENGTH	VEHICLE	OEM
100 cm	VOLVO FH / FM	68326728 20928532

**320104** > CONTINUOUS WEAR SENSOR



PLUG TYPE 1



LENGTH	VEHICLE	OEM
150 cm	VOLVO FH / FM	68326729 20928533

**320105** > CONTINUOUS WEAR SENSOR



PLUG TYPE 1



LENGTH	VEHICLE	OEM
150 cm	SOLARIS BUS	68326665

**320110** > CONTINUOUS WEAR SENSOR

PLUG TYPE 2



LENGTH	VEHICLE	OEM
95 cm	VOLVO FH EURO 6 RENAULT C / K / T SERIES	68326687 (NEW NO) 68326542 (OLD NO) 21296863 7421296863

**320111** > CONTINUOUS WEAR SENSOR

PLUG TYPE 2



LENGTH	VEHICLE	OEM
160 cm	RENAULT C / K / T SERIES	68326692 (NEW NO) 68326550 (OLD NO) 21296868 742129655

**320112** > CONTINUOUS WEAR SENSOR

PLUG TYPE 2



LENGTH	VEHICLE	OEM
175 cm	VOLVO FH4 / FM	68326689 (NEW NO) 68326541 (OLD NO) 21296864

**320113** > CONTINUOUS WEAR SENSOR

PLUG TYPE 2



LENGTH	VEHICLE	OEM
185 cm	VOLVO FH4 / FM RENAULT C / T / T HIGH SERIES	68326674 (NEW NO) 68326548 (OLD NO) 21296857 21296870 7421296870

**320114** > CONTINUOUS WEAR SENSOR

PLUG TYPE 2



LENGTH	VEHICLE	OEM
105 cm	VOLVO FH4 / FM RENAULT C / K / T SERIES	68326689 (NEW NO) 68326541 (OLD NO) 21296865 7421296865

**320115** > CONTINUOUS WEAR SENSOR

PLUG TYPE 2



LENGTH	VEHICLE	OEM
220 cm	VOLVO FH4 / FM4 RENAULT C / K / T / T HIGH SERIES	68326698 (NEW NO) 68326523 (OLD NO) 21296874 7421296874

**320116** > CONTINUOUS WEAR SENSOR

PLUG TYPE 2



LENGTH	VEHICLE	OEM
255 cm	VOLVO FH4 / FM4 RENAULT C / K / T / T HIGH SERIES	68327007 (NEW NO) 68326913 (OLD NO) 21665043

**320175 > CONTINUOUS WEAR SENSOR**



PLUG TYPE 14



LENGTH	VEHICLE	OEM
130 cm	VOLVO FH4 / FM4	-

**320176 > CONTINUOUS WEAR SENSOR**



PLUG TYPE 14



LENGTH	VEHICLE	OEM
135 cm	VOLVO FH4 / FM4 RENAULT C / K / T / T HIGH SERIES	-

**320120 > CONTINUOUS WEAR SENSOR**



PLUG TYPE 3



LENGTH	VEHICLE	OEM
130 cm	VOLVO FH4 / FM4	68327003 (NEW NO) 68326911 (OLD NO) 21665041 21401277

**320121 > CONTINUOUS WEAR SENSOR**



PLUG TYPE 3



LENGTH	VEHICLE	OEM
135 cm	VOLVO FH4 / FM4 RENAULT C / T / T HIGH SERIES	68326993 (NEW NO) 68326598 (OLD NO) 21296869 242696869

**320122 > CONTINUOUS WEAR SENSOR**



PLUG TYPE 3



LENGTH	VEHICLE	OEM
240 cm	VOLVO FH4 / FM4 RENAULT C / K / T / T HIGH SERIES	68326999 (NEW NO) 68326524 (OLD NO) 21296875 242906875

**320123 > CONTINUOUS WEAR SENSOR**



PLUG TYPE 3



LENGTH	VEHICLE	OEM
285 cm	VOLVO FH4 / FM4 RENAULT C / K SERIES	68327006 (NEW NO) 68326912 (OLD NO) 21665042

**320125 > CONTINUOUS WEAR SENSOR**



PLUG TYPE 4



**ELSA 2 AXIAL / RADIAL / ELSA 195 / 225**

LENGTH	VEHICLE	OEM
300 cm	RENAULT PREMIUM / MAGNUM	68326713 5001856033

**320130** > CONTINUOUS WEAR SENSOR

PLUG TYPE 5



ELSA 2 AXIAL / RADIAL / ELSA 195 / 225

LENGTH	VEHICLE	OEM
40 cm	RENAULT PREMIUM / MAGNUM	6832674 500856034

**320131** > CONTINUOUS WEAR SENSOR

PLUG TYPE 5



LENGTH	VEHICLE	OEM
75 cm	-	6832652 208154

**320132** > CONTINUOUS WEAR SENSOR

PLUG TYPE 5



LENGTH	VEHICLE	OEM
87 cm	-	6832673 20865

**320133** > CONTINUOUS WEAR SENSOR

PLUG TYPE 5



ELSA 2 AXIAL / RADIAL / ELSA 195 / 225

LENGTH	VEHICLE	OEM
100 cm	VOLVO FE RENAULT PREMIUM / PREMIUM 2 / D WIDE / C SERIES	6832645 20928559 2340272 7620928552

**320134** > CONTINUOUS WEAR SENSOR

PLUG TYPE 5



LENGTH	VEHICLE	OEM
162 cm	VOLVO FE RENAULT PREMIUM / PREMIUM 2 SERIES / MAGNUM 2 / D WIDE SERIES	6832670 20928550 2340268

**320135** > CONTINUOUS WEAR SENSOR

PLUG TYPE 5



LENGTH	VEHICLE	OEM
100 cm	RENAULT MAGNUM	6832677 500856029

**320136** > CONTINUOUS WEAR SENSOR

PLUG TYPE 5



ELSA 2 AXIAL / RADIAL / ELSA 195 / 225

LENGTH	VEHICLE	OEM
200 cm	RENAULT PREMIUM	6832675 500856031

**320137** > CONTINUOUS WEAR SENSOR

PLUG TYPE 5



ELSA 2 AXIAL / RADIAL / ELSA 195 / 225

LENGTH	VEHICLE	OEM
360 cm	VOLVO FE RENAULT PREMIUM / PREMIUM 2 / C / D WIDE SERIES	6832645 20928559 2340272 7620928552

**320138** > CONTINUOUS WEAR SENSOR

PLUG TYPE 5



LENGTH	VEHICLE	OEM
520 cm	VOLVO FE RENAULT PREMIUM	6832674 20928561 23740274

**320140** > CONTINUOUS WEAR SENSOR

PLUG TYPE 6



ELSA 2 AXIAL / RADIAL / ELSA 195 / 225

LENGTH	VEHICLE	OEM
130 cm	VOLVO FE / FL RENAULT PREMIUM / PREMIUM 2 / MAGNUM 2 / MEDIUM / C / D WIDE / D NARROW SERIES	68326740 20928553 2340270 2420928553

**320141** > CONTINUOUS WEAR SENSOR

PLUG TYPE 6



LENGTH	VEHICLE	OEM
162 cm	VOLVO FE RENAULT PREMIUM	68326740 20928565 2340275

**320142** > CONTINUOUS WEAR SENSOR

PLUG TYPE 6



LENGTH	VEHICLE	OEM
160 cm		68326749 20928566

**320143** > CONTINUOUS WEAR SENSOR

PLUG TYPE 6



LENGTH	VEHICLE	OEM
130 cm		6832622 6832640 20928558 242092854

**320144** > CONTINUOUS WEAR SENSOR

PLUG TYPE 6



LENGTH	VEHICLE	OEM
360 cm	VOLVO FE RENAULT PREMIUM	68326744 6832628 20928562 2340271 242092852 242340271

**320145** > CONTINUOUS WEAR SENSOR

PLUG TYPE 6



LENGTH	VEHICLE	OEM
520 cm	VOLVO FE RENAULT PREMIUM / PREMIUM 2 / C / D WIDE SERIES	68326746 20928560 2340273 242092855 242092860 242340273

**320146** > CONTINUOUS WEAR SENSOR

PLUG TYPE 6



LENGTH	VEHICLE	OEM
160 cm	RENAULT MAGNUM	68326748 500056030

**320147** > CONTINUOUS WEAR SENSOR

PLUG TYPE 6



LENGTH	VEHICLE	OEM
230 cm	RENAULT PREMIUM	68326746 500056032

## 320150 &gt; CONTINUOUS WEAR SENSOR



PLUG TYPE 7



ELSA 2 AXIAL / RADIAL / ELSA 195 / 225

LENGTH	VEHICLE	DEM
05 cm	MAN TGA	68326720 8259376039 8259376015

## 320151 &gt; CONTINUOUS WEAR SENSOR



PLUG TYPE 7



ELSA 2 AXIAL / RADIAL / ELSA 195 / 225

LENGTH	VEHICLE	DEM
05 cm	MAN TGA MAN NEOPLAN / LION'S SERIES	68326722 8259376040 8259376007 8259376000

## 320152 &gt; CONTINUOUS WEAR SENSOR



PLUG TYPE 7



LENGTH	VEHICLE	DEM
25 cm	MAN TGA MAN NEOPLAN / LION'S SERIES	68326721 8259376040 8259376019 8259376001

## 320153 &gt; CONTINUOUS WEAR SENSOR



PLUG TYPE 7



LENGTH	VEHICLE	DEM
25 cm	MAN NEOPLAN / LION'S SERIES	68326719 8259376038 8259376003

## 320154 &gt; CONTINUOUS WEAR SENSOR



PLUG TYPE 8



LENGTH	VEHICLE	DEM
05 cm	MAN TGA MAN NEOPLAN / LION'S SERIES	68326723 8259376042 8259376023

## 320155 &gt; CONTINUOUS WEAR SENSOR



PLUG TYPE 9



LENGTH	VEHICLE	DEM
05 cm	MAN TGA MAN NEOPLAN / LION'S SERIES	68326724 8259376043 8259376026

**320156** > CONTINUOUS WEAR SENSOR

PLUG TYPE 10



ELSA 2 AXIAL / RADIAL / ELSA 195 / 225

LENGTH	VEHICLE	OEM
175 cm	MAN TGA	68326725 88250376044 88250376022 88250376018

**320157** > CONTINUOUS WEAR SENSOR

PLUG TYPE 10



LENGTH	VEHICLE	OEM
275 cm	MAN TGA MAN NEOPLAN / LION'S SERIES	68326726 88250376045 88250376024

**320158** > CONTINUOUS WEAR SENSOR

PLUG TYPE 10



LENGTH	VEHICLE	OEM
250 cm	MAN NEOPLAN / LION'S SERIES	68326727 88250376046 88250376028

**320160** > CONTINUOUS WEAR SENSOR

PLUG TYPE 11



LENGTH	VEHICLE	OEM
80 cm	VOLVO FH / FM	68326738 20928563

**320161** > CONTINUOUS WEAR SENSOR

PLUG TYPE 11



LENGTH	VEHICLE	OEM
80 cm	VOLVO FH / FM	68326739 20928564

**320162** > CONTINUOUS WEAR SENSOR

PLUG TYPE 11



LENGTH	VEHICLE	OEM
85 cm	VOLVO FH12 / FH16 / FM9 / FM12	68326733 20928548 20528567

**320163** > CONTINUOUS WEAR SENSOR

PLUG TYPE 11



LENGTH	VEHICLE	OEM
85 cm	VOLVO FH / FM	68326732 20928539 20528566 209003A

**320164** > CONTINUOUS WEAR SENSOR

PLUG TYPE 11



LENGTH	VEHICLE	OEM
85 cm	VOLVO FH / FM VOLVO B6 / B7 / B9 / B12 / B13	68326734 20528560 20928548 20900375 2300265

**320165** > CONTINUOUS WEAR SENSOR



PLUG TYPE II



LENGTH	VEHICLE	OEM
85 cm	VOLVO FH / FM VOLVO B6 / B7 / B9 / B12 / B13	68326775 20526780 20928545 21390376 2308267

**320166** > CONTINUOUS WEAR SENSOR



PLUG TYPE II



LENGTH	VEHICLE	OEM
200 cm	VOLVO FH / FM	68326750 20928575 21092575

**320167** > CONTINUOUS WEAR SENSOR



PLUG TYPE II



LENGTH	VEHICLE	OEM
200 cm	VOLVO FH / FM	68326751 20928574 21092574

**320168** > CONTINUOUS WEAR SENSOR



PLUG TYPE II



LENGTH	VEHICLE	OEM
230 cm	VOLVO FH / FM	68326776 20928547 21054506

**320169** > CONTINUOUS WEAR SENSOR



PLUG TYPE II



LENGTH	VEHICLE	OEM
230 cm	VOLVO FH / FM	68326737 20928548 20554517

**320170** > CONTINUOUS WEAR SENSOR



PLUG TYPE II



LENGTH	VEHICLE	OEM
255 cm	VOLVO FH / FM VOLVO B6 / B7 / B9 / B12	68326730 20526762 20928356 20928536 21390372

**320171** > CONTINUOUS WEAR SENSOR



PLUG TYPE II



LENGTH	VEHICLE	OEM
255 cm	VOLVO FH / FM VOLVO B6 / B7 / B9 / B12 VOLVO PF161 / PF2181 / PF3172 / PF3200	68326731 20526765 20928537 21390373

WEAR SENSOR CABLES



BRAKE  
CALIPER  
REPAIR KITS



*for*  
**SINOTRUK HOWO**  
**HOWO SITRAK**

SINOTRUK  
HOWO

**301608 > CALIPER COMPLETE REPAIR SET -FRONT -R**



PART NO	GW NO	CONTENTS	DIMENSION	QTY.
1	30640	CALIPER ADJUSTING MECHANISM SET-R	-	1
2	30329	CALIPER MANUAL ADJUSTING GEAR	-	1
3	307202	CALIPER LEVER SET -FRONT	-	1
4	30805	CALIPER NEEDLE BEARING SET	-	1
5	35266	CALIPER GUIDE PIN REPAIR KIT	-	1
6	35607	CALIPER RUBBER CAP REPAIR KIT	-	1

AZ4007443020-KIT

**301708 > CALIPER COMPLETE REPAIR SET -FRONT -L**



PART NO	GW NO	CONTENTS	DIMENSION	QTY.
1	301540	CALIPER ADJUSTING MECHANISM SET -L	-	1
2	30329	CALIPER MANUAL ADJUSTING GEAR	-	1
3	307202	CALIPER LEVER SET -FRONT	-	1
4	30805	CALIPER NEEDLE BEARING SET	-	1
5	35266	CALIPER GUIDE PIN REPAIR KIT	-	1
6	356107	CALIPER RUBBER CAP REPAIR KIT	-	1

AZ4007443010-KIT

**301609** > CALIPER REPAIR SET -FRONT -R



PART NO	GW NO	CONTENTS	DIMENSION	QTY.
1	301440	CALIPER ADJUSTING MECHANISM SET -R	-	1
2	303129	CALIPER MANUAL ADJUSTING GEAR	-	1
3	307202	CALIPER LEVER SET -FRONT	-	1
4	308105	CALIPER NEEDLE BEARING SET	-	1
5	356107	CALIPER RUBBER CAP REPAIR KIT	-	1

**301709** > CALIPER REPAIR SET -FRONT -L



PART NO	GW NO	CONTENTS	DIMENSION	QTY.
1	301540	CALIPER ADJUSTING MECHANISM SET -L	-	1
2	303129	CALIPER MANUAL ADJUSTING GEAR	-	1
3	307202	CALIPER LEVER SET -FRONT	-	1
4	308105	CALIPER NEEDLE BEARING SET	-	1
5	356107	CALIPER RUBBER CAP REPAIR KIT	-	1

**301808 > CALIPER COMPLETE REPAIR SET -REAR -R**



PART NO	GW NO	CONTENTS	DIMENSION	QTY.
1	30640	CALIPER ADJUSTING MECHANISM SET-R	-	1
2	30329	CALIPER MANUAL ADJUSTING GEAR	-	1
3	307302	CALIPER LEVER SET -REAR	-	1
4	30805	CALIPER NEEDLE BEARING SET	-	1
5	35266	CALIPER GUIDE PIN REPAIR KIT	-	1
6	35607	CALIPER RUBBER CAP REPAIR KIT	-	1

AZ4007444220-MCYII-BE5

**301908 > CALIPER COMPLETE REPAIR SET -REAR -L**



PART NO	GW NO	CONTENTS	DIMENSION	QTY.
1	301540	CALIPER ADJUSTING MECHANISM SET -L	-	1
2	30329	CALIPER MANUAL ADJUSTING GEAR	-	1
3	307302	CALIPER LEVER SET -REAR	-	1
4	30805	CALIPER NEEDLE BEARING SET	-	1
5	35266	CALIPER GUIDE PIN REPAIR KIT	-	1
6	356107	CALIPER RUBBER CAP REPAIR KIT	-	1

AZ4007444210-MCYII-BE5

**301809** > CALIPER REPAIR SET -REAR -R



PART NO	GW NO	CONTENTS	DIMENSION	QTY.
1	301440	CALIPER ADJUSTING MECHANISM SET -R	-	1
2	303129	CALIPER MANUAL ADJUSTING GEAR	-	1
3	307302	CALIPER LEVER SET -REAR	-	1
4	308105	CALIPER NEEDLE BEARING SET	-	1
5	356107	CALIPER RUBBER CAP REPAIR KIT	-	1

**301909** > CALIPER COMPLETE REPAIR SET -REAR -L



PART NO	GW NO	CONTENTS	DIMENSION	QTY.
1	301540	CALIPER ADJUSTING MECHANISM SET -L	-	1
2	303129	CALIPER MANUAL ADJUSTING GEAR	-	1
3	307302	CALIPER LEVER SET -REAR	-	1
4	308105	CALIPER NEEDLE BEARING SET	-	1
5	356107	CALIPER RUBBER CAP REPAIR KIT	-	1

**301540** >> CALIPER ADJUSTING MECHANISM SET -L



AZ4007443067

**301440** >> CALIPER ADJUSTING MECHANISM SET -R



AZ4007443077

**310503** >> ADJUSTING MECHANISM COVER SET -L  
[with BUSHING]



**310403** >> ADJUSTING MECHANISM COVER SET -R  
[with BUSHING]



PART NO	GW NO	CONTENTS	DIMENSION	QTY.
1	310502	ADJUSTING MECHANISM COVER -L	-	1
2	361157	ALUMINUM COVER BOLT	M8 x 1.25 x 35 mm	8
3	371121	ALUMINUM COVER GASKET	-	1

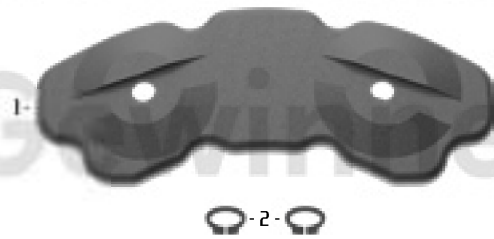
PART NO	GW NO	CONTENTS	DIMENSION	QTY.
1	310402	ADJUSTING MECHANISM COVER -R	-	1
2	361157	ALUMINUM COVER BOLT	M8 x 1.25 x 35 mm	8
3	371121	ALUMINUM COVER GASKET	-	1

**305108** >> CALIPER PRESSURE PLATE SET



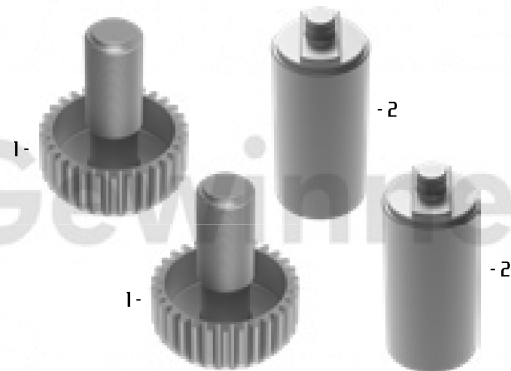
PART NO	GW NO	CONTENTS	DIMENSION	QTY.
1	305107	CALIPER PRESSURE PLATE	-	1
2	40803	O-RING	-	2
3	36201	CALIPER SHIM BOOT	-	2

**305109** >> CALIPER PRESSURE PLATE SET



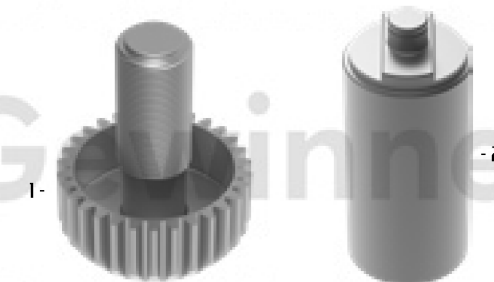
PART NO	GW NO	CONTENTS	DIMENSION	QTY.
1	305107	CALIPER PRESSURE PLATE	-	1
2	40803	O-RING	-	2

**303130** >> CALIPER ADJUSTING MECHANISM GEAR SET



PART NO	GW NO	CONTENTS	DIMENSION	QTY.
1	303127	CALIPER ADJUSTING MECHANISM GEAR	-	2
2	360129	CALIPER ADJUSTING MECHANISM GEAR PIN	-	2

**303128** >> CALIPER ADJUSTING MECHANISM GEAR SET



PART NO	GW NO	CONTENTS	DIMENSION	QTY.
1	303127	CALIPER ADJUSTING MECHANISM GEAR	-	1
2	360129	CALIPER ADJUSTING MECHANISM GEAR PIN	-	1

**302110** >> CALIPER ADJUSTING MECHANISM



**303129** >> CALIPER MANUAL ADJUSTING GEAR



**307202** > CALIPER LEVER SET -FRONT



AZ4007444031

PART NO	GW NO	CONTENTS	DIMENSION	QTY.
1	307201	CALIPER LEVER -FRONT	-	1
2	380101	CALIPER LEVER BEARING	∅ 16 x 38 mm	2

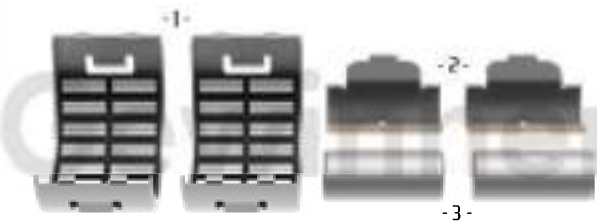
**307302** > CALIPER LEVER SET -REAR



AZ4007444030

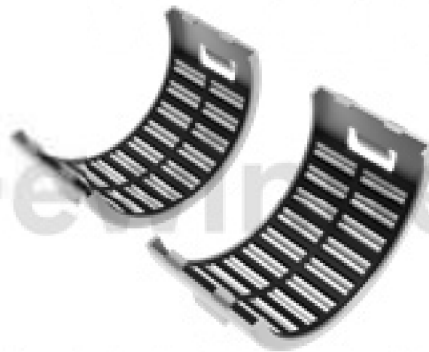
PART NO	GW NO	CONTENTS	DIMENSION	QTY.
1	307301	CALIPER LEVER -REAR	-	1
2	380101	CALIPER LEVER BEARING	∅ 16 x 38 mm	2

**308129** > CALIPER BEARING SET



PART NO	GW NO	CONTENTS	DIMENSION	QTY.
1	308108	CALIPER NEEDLE BEARING	-	2
2	363133	CALIPER LEVER BUSHING	-	2
3	380101	CALIPER LEVER BEARING	∅ 16 x 38 mm	2

**308105** > CALIPER NEEDLE BEARING SET



AZ9100443022

PART NO	GW NO	CONTENTS	DIMENSION	QTY.
1	308108	CALIPER NEEDLE BEARING	-	2

**363133** > CALIPER LEVER BUSHING



**380101** > CALIPER LEVER BEARING ( ∅ 16 x 38 mm )

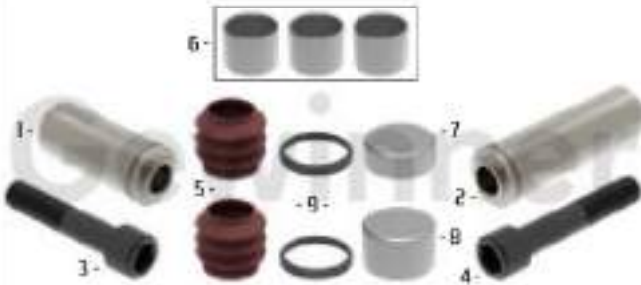


**352167 >** CALIPER ADJUSTING MECHANISM SET -L



PART NO	GAN NO	CONTENTS	DIMENSION	QTY.
1	36027	CALIPER GUIDE PIN	∅ 35.7 x 86 mm	1
2	36028	CALIPER GUIDE PIN	∅ 36 x 122 mm	1
3	36155	CALIPER GUIDE PIN BOLT	M16 x 2 x 80 mm	1
4	36156	CALIPER GUIDE PIN BOLT	M16 x 2 x 90 mm	1
5	36230	CALIPER GUIDE PIN BOOT	-	2
6	36231	CALIPER TAPPET BOOT	-	2
7	36349	CALIPER GUIDE PIN BUSHING	∅ 36 x ∅ 40 x 31 mm	3
8	36404	CALIPER GUIDE PIN CAP	∅ 45 x 15 mm	1
9	36424	CALIPER GUIDE PIN CAP	∅ 45 x 28.5 mm	1
10	36608	CALIPER GUIDE PIN BOOT RING	-	2

**352166 >** CALIPER GUIDE PIN REPAIR KIT



PART NO	GAN NO	CONTENTS	DIMENSION	QTY.
1	36027	CALIPER GUIDE PIN	∅ 35.7 x 86 mm	1
2	36028	CALIPER GUIDE PIN	∅ 36 x 122 mm	1
3	36155	CALIPER GUIDE PIN BOLT	M16 x 2 x 80 mm	1
4	36156	CALIPER GUIDE PIN BOLT	M16 x 2 x 90 mm	1
5	36230	CALIPER GUIDE PIN BOOT	-	2
6	36349	CALIPER GUIDE PIN BUSHING	∅ 36 x ∅ 40 x 31 mm	3
7	36404	CALIPER GUIDE PIN CAP	∅ 45 x 15 mm	1
8	36424	CALIPER GUIDE PIN CAP	∅ 45 x 28.5 mm	1
9	36608	CALIPER GUIDE PIN BOOT RING	-	2

AZ40074440220

**352168 >** CALIPER BOOT SET



PART NO	GAN NO	CONTENTS	DIMENSION	QTY.
1	36155	CALIPER GUIDE PIN BOLT	M16 x 2 x 80 mm	1
2	36156	CALIPER GUIDE PIN BOLT	M16 x 2 x 90 mm	1
3	36230	CALIPER GUIDE PIN BOOT	-	2
4	36404	CALIPER GUIDE PIN CAP	∅ 45 x 15 mm	1
5	36424	CALIPER GUIDE PIN CAP	∅ 45 x 28.5 mm	1
6	36608	CALIPER GUIDE PIN BOOT RING	-	2

**350125 >** CALIPER TAPPET BOOT SET



PART NO	GAN NO	CONTENTS	DIMENSION	QTY.
1	36231	CALIPER TAPPET BOOT	-	2

**370129** > CALIPER BUSHING & SEAL SET



PART NO	GW NO	CONTENTS	DIMENSION	QTY.
1	36164	CALIPER TAPPET BOOT RING	-	2
2	36341	CALIPER MECHANISM PIN BUSHING	Ø 40 x Ø 37 x 5270 mm	2
3	370129	CALIPER MECHANISM PIN SEAL	Ø 52 * 38 * 5 mm	2

**371121** > ALUMINUM COVER GASKET



**356107** > CALIPER RUBBER CAP REPAIR KIT



PART NO	GW NO	CONTENTS	DIMENSION	QTY.
1	364107	CALIPER RUBBER CAP	-	1
2	370106	ADJUSTING MECHANISM SEAL	-	1

**356105** > CALIPER RUBBER CAP SET



PART NO	GW NO	CONTENTS	DIMENSION	QTY.
1	364107	CALIPER RUBBER CAP	-	10

**369104** > MANUAL ADJUSTING GEAR SLOT SET



PART NO	GW NO	CONTENTS	DIMENSION	QTY.
1	369103	MANUAL ADJUSTING GEAR SLOT	-	5

**356108** > CALIPER HEAD PLUG SET

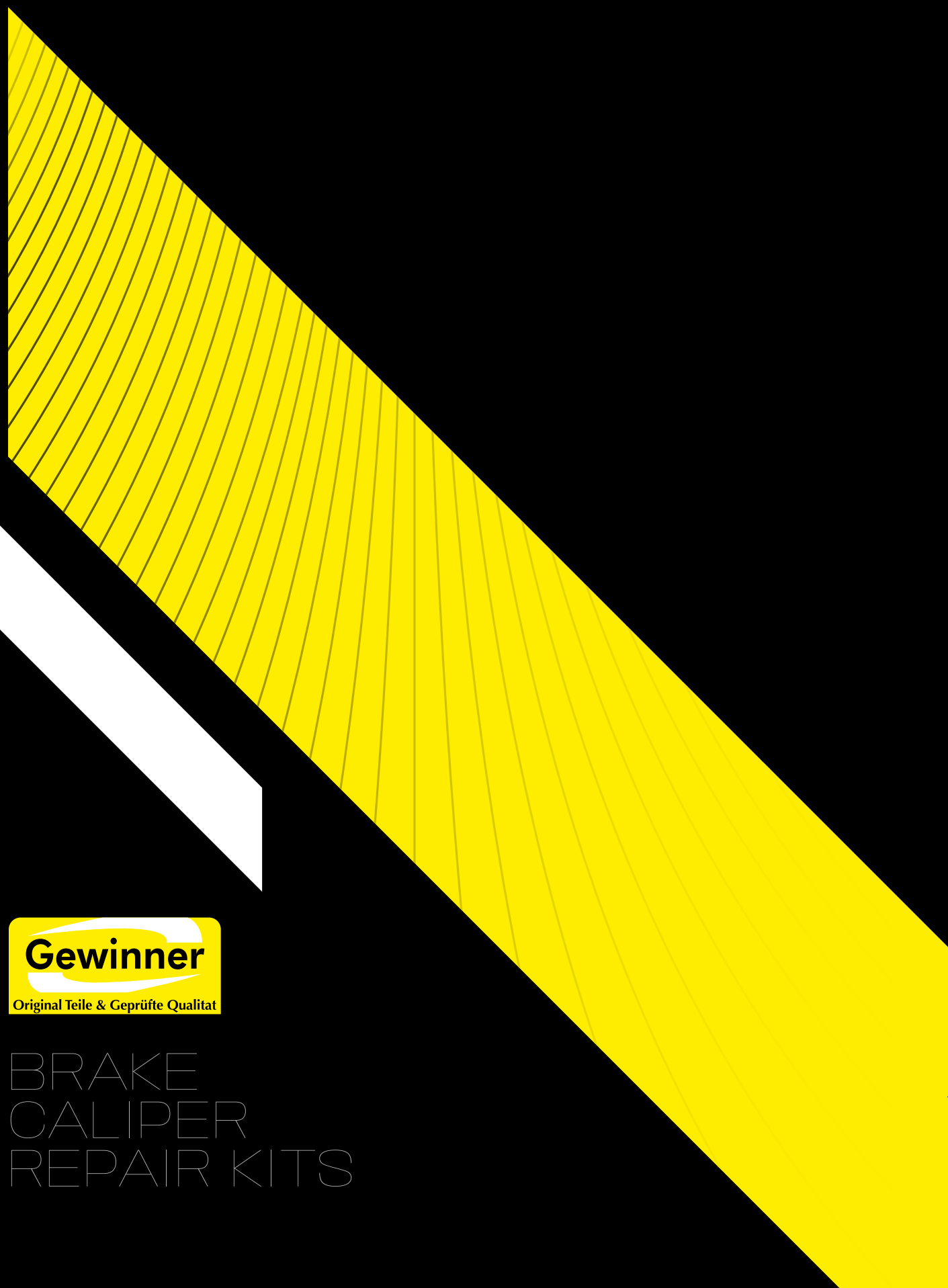


PART NO	GW NO	CONTENTS	DIMENSION	QTY.
1	364125	CALIPER HEAD PLUG	-	5

[www.gewinnerbrake.com](http://www.gewinnerbrake.com)



BRAKE  
CALIPER  
REPAIR KITS



BRAKE  
CALIPER  
REPAIR KITS



*for*  
**HALDEX**  
**MARK SERIES**

HALDEX

**401106** > CALIPER COMPLETE REPAIR KIT

SAF AXLE  
SMB AXLE



MARK III

PART NO	GW NO	CONTENTS	DIMENSION	QTY
1	40107	CALIPER COMPLETE MECHANISM SET	-	1
2	40107	BRAKE PAD RETAINER REPAIR KIT	-	1
3	45209	CALIPER GUIDE PIN REPAIR KIT	-	1

**401107** > BRAKE PAD RETAINER REPAIR KIT

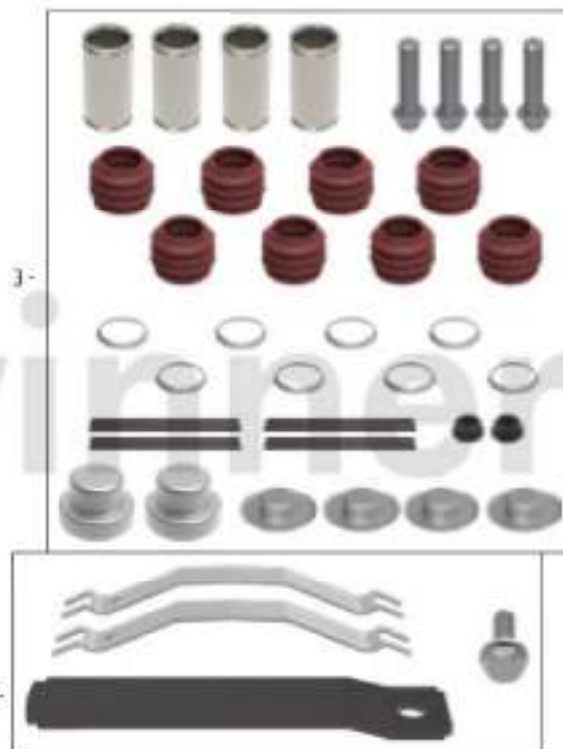
SAF AXLE  
SMB AXLE



MARK III

**401108** > CALIPER COMPLETE REPAIR KIT

SAF AXLE  
SMB AXLE



MARK IV

PART NO	GW NO	CONTENTS	DIMENSION	QTY.
1	401101	CALIPER COMPLETE MECHANISM SET	-	1
2	401102	BRAKE PAD RETAINER REPAIR KIT	-	1
3	452104	CALIPER GUIDE PIN REPAIR KIT	-	1

**401109** > BRAKE PAD RETAINER REPAIR KIT

SAF AXLE  
SMB AXLE



MARK IV

**404104** > CALIPER SHAFT HOUSING SET



MARK III

**404101** > CALIPER SHAFT HOUSING SET



MARK IV

**410103** > CALIPER MECHANISM COVER SET



MARK III

**410102** > CALIPER MECHANISM COVER SET



MARK IV

DIMENSIONS

M 8 x 15 x 40 mm

**410104** > CALIPER MECHANISM UPPER COVER KIT



MARK III

**410105** > CALIPER MECHANISM UPPER COVER KIT



MARK IV

**411104** > CALIPER MECHANISM CLAMP SET



MARK III

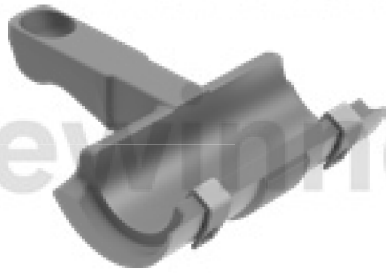
**481102** > CALIPER MECHANISM CLAMP SET



MARK IV

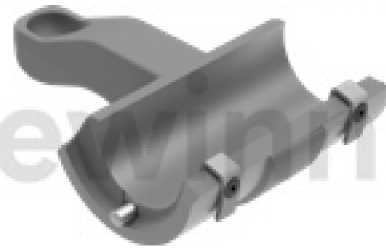
MARK SERIES

**407103** >> CALIPER LEVER



MARK III

**407102** >> CALIPER LEVER



MARK IV

**408108** >> CALIPER NEEDLE BEARING SET



MARK III

**408102** >> CALIPER NEEDLE BEARING SET



MARK IV

**408106** >> CALIPER NEEDLE BEARING SET



MARK III

**408101** >> CALIPER NEEDLE BEARING SET



MARK IV

**464102** >> CALIPER ADJUSTER SHAFT SET



MARK IV

**480102** >> CALIPER LEVER PIN



MARK IV

89926  
90693  
3 434 3855 02  
5-30560-4  
5021 174 163

**402106** > CALIPER ADJUSTING MECHANISM



MARK III

**484102** > CALIPER TAPPET & CALIBRATION BOLT REPAIR KIT



MARK III

**455501** > CALIPER CALIBRATION GEAR -L



MARK III

**455401** > CALIPER CALIBRATION GEAR -R



MARK III

**402104** > CALIPER ADJUSTING MECHANISM



MARK IV

**402103** > CALIPER ADJUSTING MECHANISM



MARK IV

**402105** > CALIPER ADJUSTING MECHANISM



MARK IV

**403102** > CALIPER ADJUSTING MECHANISM GEAR



MARK IV

MARK SERIES

**405103** > CALIPER THRUST PLATE & BOOT SET



MARK IV 94564

PART NO.	GW NO.	CONTENTS	DIMENSION	QTY.
1	405107	CALIPER THRUST PLATE	-	1
2	46101	CALIPER CALIBRATION BOLT	-	2
3	462101	CALIPER TAPPET BOOT	Ø 67 mm	2
4	464104	CALIPER MECHANISM UPPER COVER CAP	-	1
5	48101	RING	-	2

**405104** > CALIPER THRUST PLATE REPAIR KIT



MARK IV

PART NO.	GW NO.	CONTENTS	DIMENSION	QTY.
1	405107	CALIPER THRUST PLATE	-	1
2	47210	CALIPER TAPPET BOOT PROTECTION SPRING	Ø 67 mm	2
3	48101	RING	-	2

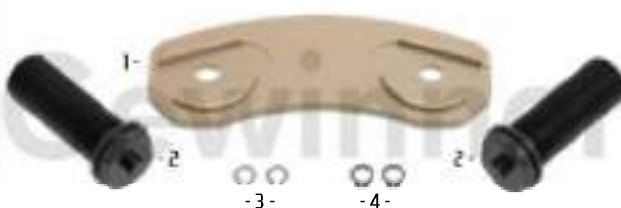
**405101** > CALIPER THRUST PLATE REPAIR KIT



MARK IV 92731

PART NO.	GW NO.	CONTENTS	DIMENSION	QTY.
1	405107	CALIPER THRUST PLATE	-	1
2	481101	RING	-	2
3	481103	RING	-	2

**405102** > CALIPER THRUST PLATE REPAIR KIT



MARK IV

PART NO.	GW NO.	CONTENTS	DIMENSION	QTY.
1	405107	CALIPER THRUST PLATE	-	1
2	461101	CALIPER CALIBRATION BOLT	-	2
3	481101	RING	-	2
4	481103	RING	-	2

**461101** > CALIPER CALIBRATION BOLT



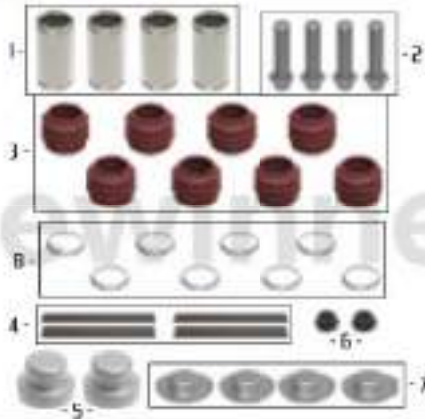
MARK IV

**461105** > CALIPER CALIBRATION BOLT [without FLANGE]



MARK IV

**452104 > CALIPER GUIDE PIN REPAIR KIT**

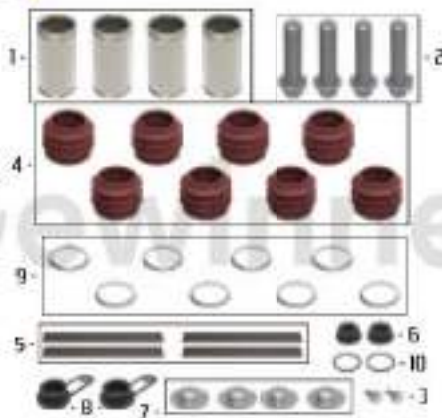


89541

**MARK IV**

PART NO.	GW NO.	CONTENTS	DIMENSION	QTY.
1	46002	CALIPER GUIDE PIN	Ø 35 x 69 mm	4
2	16620	CALIPER GUIDE PIN BOLT	M4 x 2 x 55 mm	4
3	46202	CALIPER GUIDE PIN BOOT	-	8
4	46301	CALIPER GUIDE PIN BUSHING (FLAT & FIBER)	-	4
5	46403	CALIPER GUIDE PIN CAP	Ø 57 x 40 mm	2
6	46404	CALIPER MECHANISM UPPER COVER CAP	-	2
7	46406	CALIPER GUIDE PIN CAP	56 x 12 mm	4
8	46701	CALIPER GUIDE PIN BOOT RING	42 x 36 x 4 mm	8

**452109 > CALIPER GUIDE PIN REPAIR KIT**

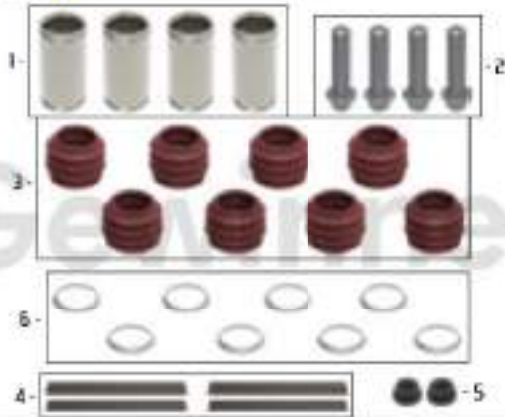


87406

**MARK II / MARK III**

PART NO.	GW NO.	CONTENTS	DIMENSION	QTY.
1	46002	CALIPER GUIDE PIN	Ø 35 x 69 mm	4
2	46105	CALIPER GUIDE PIN BOLT	M4 x 2 x 60 mm	4
3	46101	CALIPER HEAD PLUG BOLT	M6 x 12 mm	2
4	46202	CALIPER GUIDE PIN BOOT	-	8
5	46301	CALIPER GUIDE PIN BUSHING (FLAT & FIBER)	-	4
6	46404	CALIPER MECHANISM UPPER COVER CAP	-	2
7	46407	CALIPER GUIDE PIN CAP	-	4
8	46409	CALIPER HEAD PLUG	-	2
9	46701	CALIPER GUIDE PIN BOOT RING	42 x 36 x 4 mm	8
10	46001	CALIPER HEAD PLUG O-RING	-	2

**452107 > CALIPER GUIDE PIN REPAIR KIT**



**MARK III / MARK IV**

PART NO.	GW NO.	CONTENTS	DIMENSION	QTY.
1	46002	CALIPER GUIDE PIN	Ø 35 x 69 mm	4
2	16620	CALIPER GUIDE PIN BOLT	M4 x 2 x 55 mm	4
3	46202	CALIPER GUIDE PIN BOOT	-	8
4	46301	CALIPER GUIDE PIN BUSHING (FLAT & FIBER)	-	4
5	46404	CALIPER MECHANISM UPPER COVER CAP	-	2
6	46701	CALIPER GUIDE PIN BOOT RING	42 x 36 x 4 mm	8

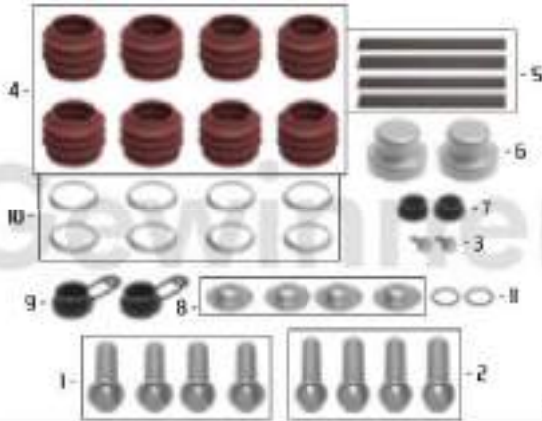
**459101 > CALIPER GUIDE PIN BUSHING SET (PLASTIC)**



**MARK II / MARK III / MARK IV**

PART NO.	GW NO.	CONTENTS	DIMENSION	QTY.
1	46307	CALIPER GUIDE PIN BUSHING (PLASTIC)	-	4

**452110** > CALIPER GUIDE PIN BOOT & BUSHING REPAIR KIT

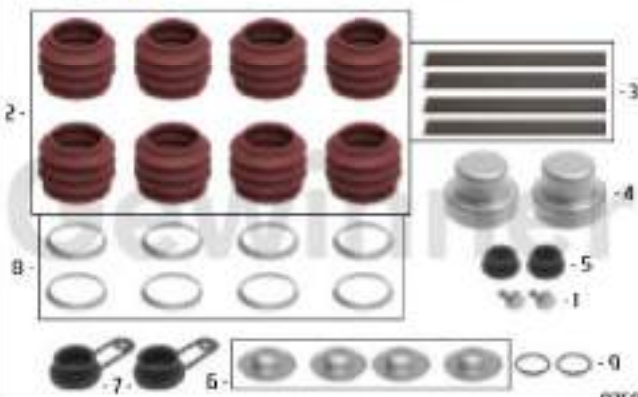


MARK II / MARK III / MARK IV

PART NO	GW NO	CONTENTS	DIMENSION	QTY.
1	45421	CALIPER GUIDE PIN BOLT	M14 x 2 x 55 mm	4
2	46106	CALIPER GUIDE PIN BOLT	M14 x 2 x 60 mm	4
3	46103	CALIPER HEAD PLUG BOLT	M6 x 12 mm	2
4	462102	CALIPER GUIDE PIN BOOT	-	8
5	463101	CALIPER GUIDE PIN BUSHING (FLAT & FIBER)	-	4
6	464103	CALIPER GUIDE PIN CAP	∅ 57 x 40 mm	2
7	464104	CALIPER MECHANISM UPPER COVER CAP	-	2
8	464117	CALIPER GUIDE PIN CAP	-	4
9	464119	CALIPER HEAD PLUG	-	2
10	467101	CALIPER GUIDE PIN BOOT RING	-	8
11	468101	CALIPER HEAD PLUG O-RING	-	2

946661

**452111** > CALIPER GUIDE PIN BOOT & BUSHING REPAIR KIT

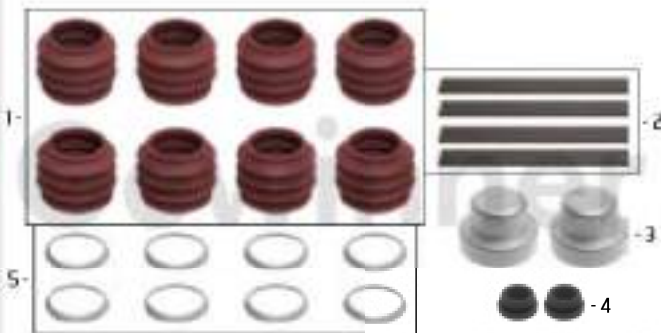


MARK II / MARK III / MARK IV

PART NO	GW NO	CONTENTS	DIMENSION	QTY.
1	46103	CALIPER HEAD PLUG BOLT	M6 x 12 mm	2
2	462102	CALIPER GUIDE PIN BOOT	-	8
3	463101	CALIPER GUIDE PIN BUSHING (FLAT & FIBER)	-	4
4	464103	CALIPER GUIDE PIN CAP	∅ 57 x 40 mm	2
5	464104	CALIPER MECHANISM UPPER COVER CAP	-	2
6	464117	CALIPER GUIDE PIN CAP	-	4
7	464119	CALIPER HEAD PLUG	-	2
8	467101	CALIPER GUIDE PIN BOOT RING	42 x 36 x 4 mm	8
9	468101	CALIPER HEAD PLUG O-RING	-	2

87590

**452105** > CALIPER GUIDE PIN BOOT & BUSHING REPAIR KIT



MARK IV

PART NO	GW NO	CONTENTS	DIMENSION	QTY.
1	462102	CALIPER GUIDE PIN BOOT	-	8
2	463101	CALIPER GUIDE PIN BUSHING (FLAT & FIBER)	-	4
3	464103	CALIPER GUIDE PIN CAP	∅ 57 x 40 mm	2
4	464104	CALIPER MECHANISM UPPER COVER CAP	-	2
5	467101	CALIPER GUIDE PIN BOOT RING	42 x 36 x 4 mm	8

89723

**452112** > CALIPER GUIDE PIN BOOT & BUSHING REPAIR KIT



MARK II / MARK III / MARK IV

PART NO	GW NO	CONTENTS	DIMENSION	QTY.
1	46110	CALIPER HEAD PLUG BOLT	M6 x 12 mm	2
2	462102	CALIPER GUIDE PIN BOOT	-	2
3	463101	CALIPER GUIDE PIN BUSHING (FLAT & FIBER)	-	1
4	464103	CALIPER GUIDE PIN CAP	∅ 57 x 40 mm	2
5	464104	CALIPER MECHANISM UPPER COVER CAP	-	2
6	464117	CALIPER GUIDE PIN CAP	-	4
7	464119	CALIPER HEAD PLUG	-	2
8	467101	CALIPER GUIDE PIN BOOT RING	42 x 36 x 4 mm	2
9	468101	CALIPER HEAD PLUG O-RING	-	2

89723

**450106 > CALIPER BOOT REPAIR KIT**



MARK II / MARK III

PART NO	GW NO	CONTENTS	DIMENSION	QTY.
1	46100	CALIPER HEAD PLUG BOLT	M6 x 12 mm	2
2	46200	CALIPER TAPPET BOOT	∅ 78.5 mm	2
3	46404	CALIPER MECHANISM UPPER COVER CAP	-	2
4	46401	CALIPER HEAD PLUG	-	2
5	46000	CALIPER HEAD PLUG O-RING	-	2
6	47204	CALIPER TAPPET BOOT PROTECTION SPRING	∅ 78.5 mm	2
7	48005	RING	-	2

09405

**450107 > CALIPER BOOT REPAIR KIT**



MARK II / MARK III

PART NO	GW NO	CONTENTS	DIMENSION	QTY.
1	46100	CALIPER HEAD PLUG BOLT	M6 x 12 mm	2
2	46200	CALIPER TAPPET BOOT	∅ 78.5 mm	2
3	46404	CALIPER MECHANISM UPPER COVER CAP	-	2
4	46401	CALIPER HEAD PLUG	-	2
5	46000	CALIPER HEAD PLUG O-RING	-	2
6	47010	CALIPER MECHANISM UPPER COVER SEAL	-	2
7	48005	RING	-	2

09663

**450112 > CALIPER BOOT REPAIR KIT**

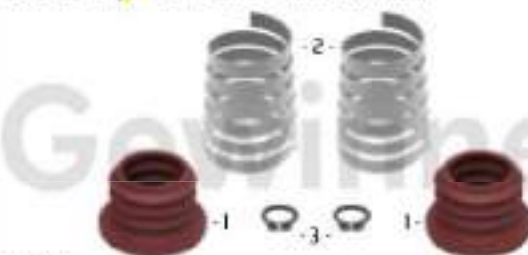


MARK IV

PART NO	GW NO	CONTENTS	DIMENSION	QTY.
1	46200	CALIPER TAPPET BOOT	∅ 67 mm	2
2	46305	CALIPER CALIBRATION BOLT BUSHING	∅ 14 x 12 x 10 mm	2
3	46404	CALIPER MECHANISM UPPER COVER CAP	-	1
4	48000	RING	-	2

09662

**450101 > CALIPER BOOT REPAIR KIT**

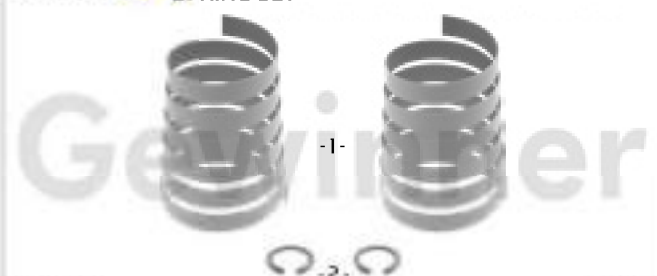


MARK IV

09794

PART NO	GW NO	CONTENTS	DIMENSION	QTY.
1	46200	CALIPER TAPPET BOOT	∅ 67 mm	2
2	47200	CALIPER TAPPET BOOT PROTECTION SPRING	∅ 67 mm	2
3	48003	RING	-	2

**472105 > CALIPER TAPPET BOOT PROTECTION SPRING SET**



MARK IV

09665

PART NO	GW NO	CONTENTS	DIMENSION	QTY.
1	47200	CALIPER TAPPET BOOT PROTECTION SPRING	∅ 67 mm	2
2	48003	RING	-	2

MARK SERIES

**464109** > CALIPER CAP SET



MARK II

87408

**464114** > CALIPER CAP SET



MARK IV

89925

**464101** > CALIPER CAP SET



MARK IV

89927

**459101** > CALIPER GUIDE PIN BUSHING SET [PLASTIC]



MARK II / MARK III / MARK IV

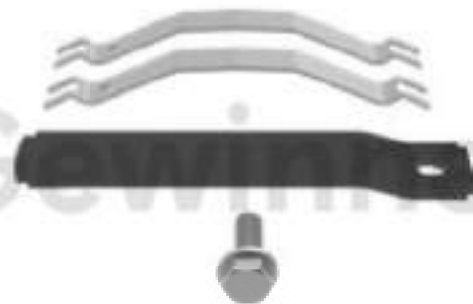
**411106** > BRAKE PAD RETAINER REPAIR KIT



MARK III / MARK IV

94659

**411107** > BRAKE PAD RETAINER REPAIR KIT



MARK III / MARK IV

91216

**411101** > BRAKE PAD RETAINER REPAIR KIT



MARK III / MARK IV

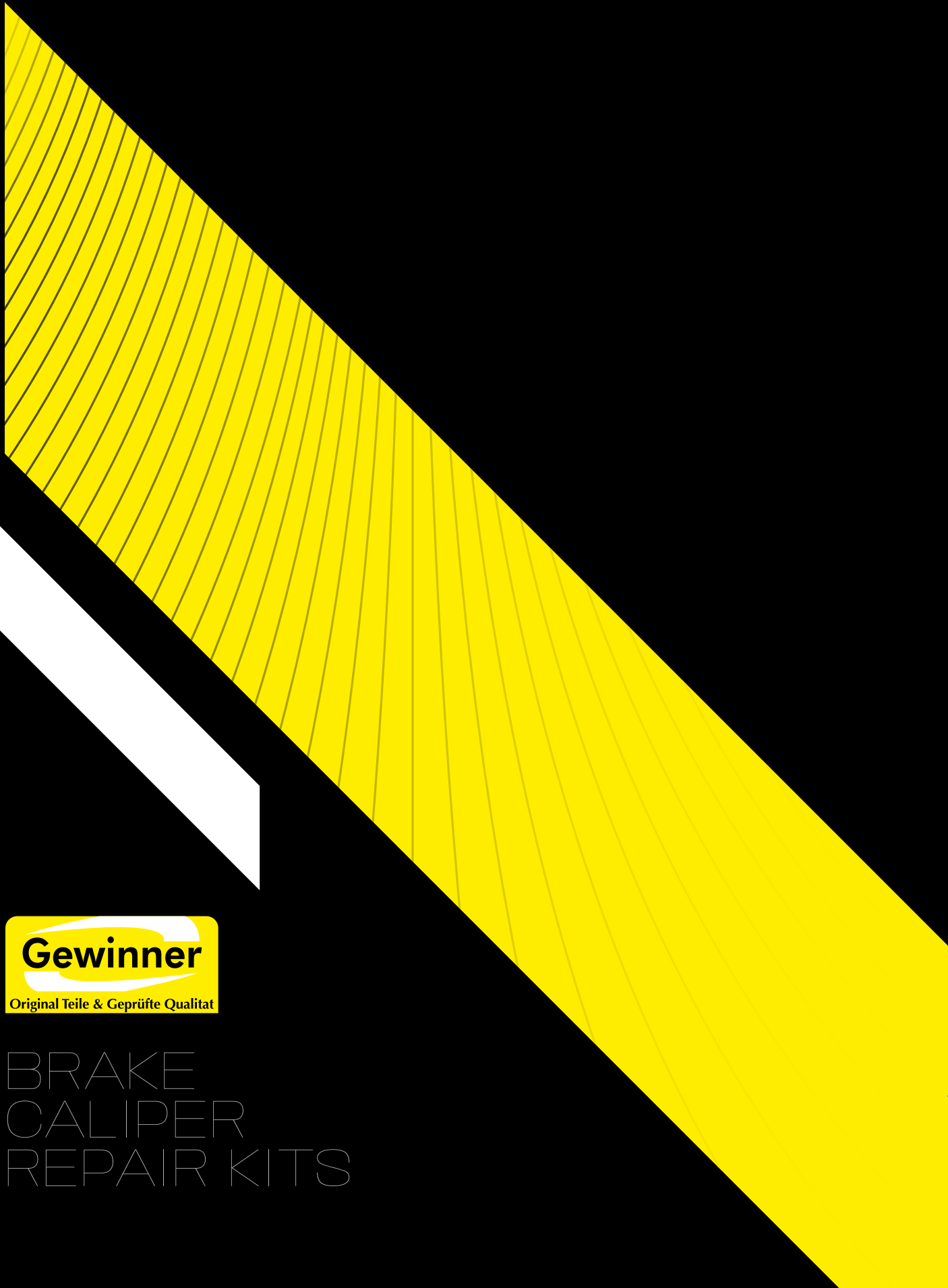
90673

**411108** > BRAKE PAD RETAINER REPAIR KIT



MARK II / MARK III / MARK IV

89924



BRAKE  
CALIPER  
REPAIR KITS



*for*  
**HALDEX**  
**MODUL X**

**401110** > CALIPER COMPLETE REPAIR KIT

SAF AXLE  
SMB AXLE



GEN 1

PART NO	GW NO	CONTENTS	DIMENSION	QTY
1	4011	CALIPER COMPLETE MECHANISM SET	-	1
2	41107	BRAKE PAD RETAINER REPAIR KIT	-	1
3	452101	CALIPER GUIDE PIN REPAIR KIT	-	1

**401111** > CALIPER COMPLETE MECHANISM SET

SAF AXLE  
SMB AXLE



GEN 1

**401112** > CALIPER COMPLETE REPAIR KIT



SAF AXLE  
SMB AXLE  
DANA AXLE  
GIGANT AXLE  
VOLVO  
RENAULT

GEN 2

PART NO	GW NO	CONTENTS	DIMENSION	QTY.
1	401102	CALIPER COMPLETE MECHANISM SET	-	1
2	401107	BRAKE PAD RETAINER REPAIR KIT	-	1
3	452103	CALIPER GUIDE PIN REPAIR KIT	-	1

**401102** > CALIPER COMPLETE MECHANISM SET



SAF AXLE  
SMB AXLE  
DANA AXLE  
GIGANT AXLE  
VOLVO  
RENAULT

GEN 2

**404101** >> CALIPER SHAFT HOUSING SET



GEN 1

**404102** >> CALIPER SHAFT HOUSING SET



GEN 2

**410101** >> CALIPER MECHANISM COVER SET



GEN 1 / GEN 2

**411103** >> CALIPER MECHANISM RESET PLATE



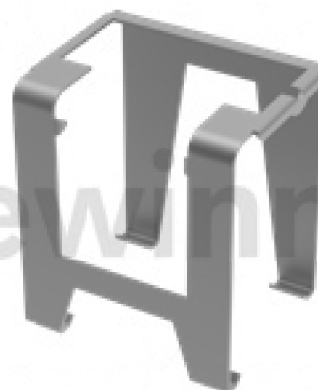
GEN 2

**411105** >> CALIPER MECHANISM CLAMP



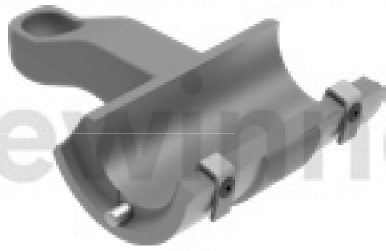
GEN 1

**411102** >> CALIPER MECHANISM CLAMP



GEN 2

**407102** >> CALIPER LEVER



GEN 1

**407101** >> CALIPER LEVER



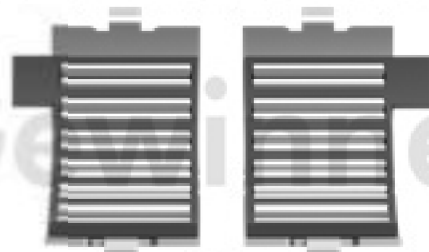
GEN 2

**408102** >> CALIPER NEEDLE BEARING SET



GEN 1

**408104** >> CALIPER NEEDLE BEARING SET



GEN 2

**408101** >> CALIPER NEEDLE BEARING SET



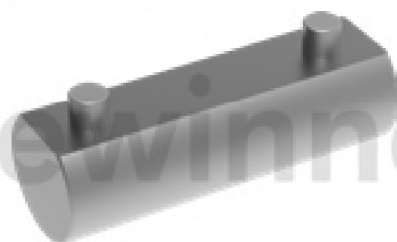
GEN 1

**408105** >> CALIPER NEEDLE BEARING SET



GEN 2

**480103** >> CALIPER LEVER PIN



GEN 1

**480101** >> CALIPER LEVER PIN



GEN 2

**402104** >> CALIPER ADJUSTING MECHANISM GEAR



GEN 1

**402101** >> CALIPER ADJUSTING MECHANISM GEAR



GEN 2

**402107** >> CALIPER ADJUSTING MECHANISM GEAR



481107

GEN 1

**403101** >> CALIPER ADJUSTING MECHANISM GEAR



GEN 2

**402105** >> CALIPER ADJUSTING MECHANISM



402112



481112

GEN 1

**402102** >> CALIPER ADJUSTING MECHANISM



GEN 2

**403102** >> CALIPER ADJUSTING MECHANISM GEAR



GEN 1 / GEN 2

**484103** >> CALIPER TAPPET & CALIBRATION BOLT REPAIR KIT



484101

GEN 2

**405103** > CALIPER THRUST PLATE & BOOT SET



GEN 1

PART NO	GEN NO	CONTENTS	DIMENSION	QTY.
1	405107	CALIPER THRUST PLATE	-	1
2	46101	CALIPER CALIBRATION BOLT	-	2
3	46201	CALIPER TAPPET BOOT	Ø 67 mm	2
4	46404	CALIPER MECHANISM UPPER COVER CAP	-	1
5	48101	RING	-	2

94664

**405104** > CALIPER THRUST PLATE REPAIR KIT

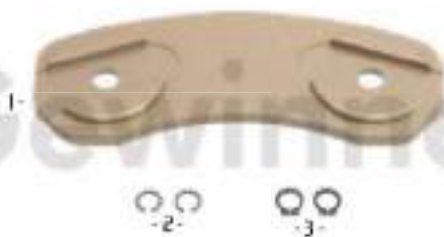


GEN 1

PART NO	GEN NO	CONTENTS	DIMENSION	QTY.
1	405107	CALIPER THRUST PLATE	-	1
2	46201	CALIPER TAPPET BOOT PROTECTION SPRING	Ø 67 mm	2
3	48101	RING	-	2

92731

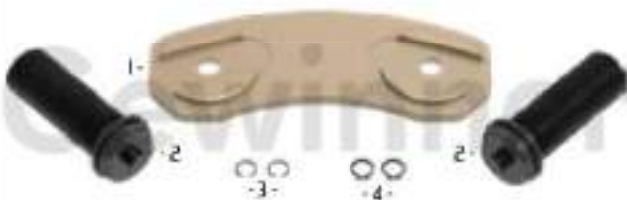
**405101** > CALIPER THRUST PLATE REPAIR KIT



GEN 1

PART NO	GEN NO	CONTENTS	DIMENSION	QTY.
1	405107	CALIPER THRUST PLATE	-	1
2	48101	RING	-	2
3	48303	RING	-	2

**405102** > CALIPER THRUST PLATE REPAIR KIT



GEN 1

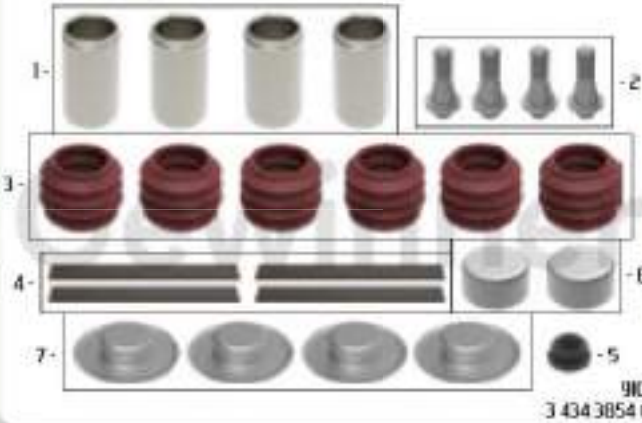
PART NO	GEN NO	CONTENTS	DIMENSION	QTY.
1	405107	CALIPER THRUST PLATE	-	1
2	46101	CALIPER CALIBRATION BOLT	-	2
3	48101	RING	-	2
4	48303	RING	-	2

**461101** > CALIPER CALIBRATION BOLT



GEN 1

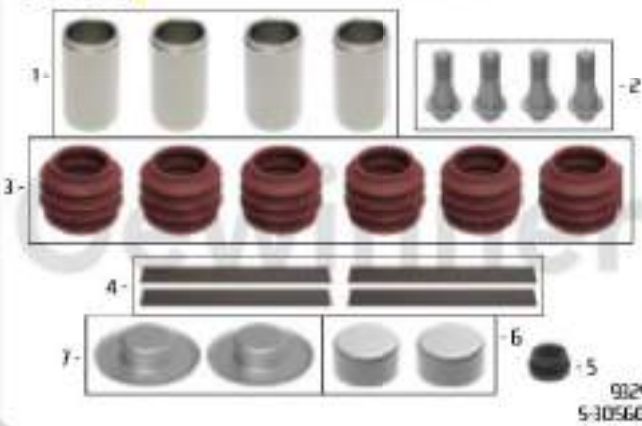
**452101 > CALIPER GUIDE PIN REPAIR KIT**



GEN 1 / GEN 2

PART NO	GW NO	CONTENTS	DIMENSION	QTY.
1	460801	CALIPER GUIDE PIN	∅ 35 x 63 mm	4
2	460802	CALIPER GUIDE PIN BOLT	M14 x 2 x 42 mm	4
3	462802	CALIPER GUIDE PIN BOOT	-	6
4	463101	CALIPER GUIDE PIN BUSHING (FLAT & FIBER)	-	4
5	464004	CALIPER MECHANISM UPPER COVER CAP	-	1
6	464005	CALIPER GUIDE PIN CAP	∅ 42 x 23 mm	2
7	464006	CALIPER GUIDE PIN CAP	∅ 56 x 12 mm	4

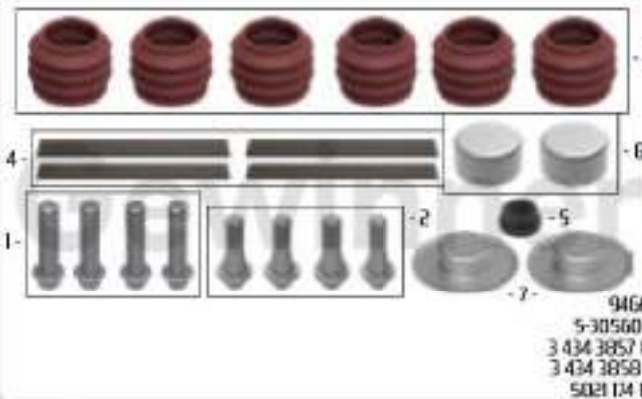
**452113 > CALIPER GUIDE PIN REPAIR KIT**



GEN 1 / GEN 2

PART NO	GW NO	CONTENTS	DIMENSION	QTY.
1	460801	CALIPER GUIDE PIN	∅ 35 x 63 mm	4
2	460802	CALIPER GUIDE PIN BOLT	M14 x 2 x 42 mm	4
3	462802	CALIPER GUIDE PIN BOOT	-	6
4	463101	CALIPER GUIDE PIN BUSHING (FLAT & FIBER)	-	4
5	464004	CALIPER MECHANISM UPPER COVER CAP	-	1
6	464005	CALIPER GUIDE PIN CAP	∅ 42 x 23 mm	2
7	464006	CALIPER GUIDE PIN CAP	∅ 56 x 12 mm	2

**452114 > CALIPER GUIDE PIN BOOT & BUSHING REPAIR KIT**



GEN 1 / GEN 2

PART NO	GW NO	CONTENTS	DIMENSION	QTY.
1	460801	CALIPER GUIDE PIN BOLT	M14 x 2 x 55 mm	4
2	460802	CALIPER GUIDE PIN BOLT	M14 x 2 x 42 mm	4
3	462802	CALIPER GUIDE PIN BOOT	-	6
4	463101	CALIPER GUIDE PIN BUSHING (FLAT & FIBER)	-	4
5	464004	CALIPER MECHANISM UPPER COVER CAP	-	1
6	464005	CALIPER GUIDE PIN CAP	∅ 42 x 23 mm	2
7	464006	CALIPER GUIDE PIN CAP	∅ 56 x 12 mm	2

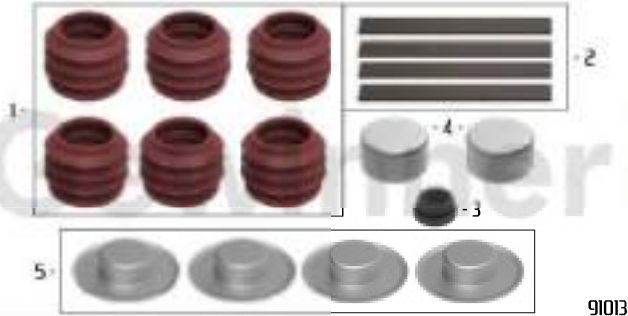
**459101 > CALIPER GUIDE PIN BUSHING SET (PLASTIC)**



GEN 1 / GEN 2

PART NO	GW NO	CONTENTS	DIMENSION	QTY.
1	463007	CALIPER GUIDE PIN BUSHING (PLASTIC)	-	4

**452102 > CALIPER GUIDE PIN BOOT & BUSHING REPAIR KIT**

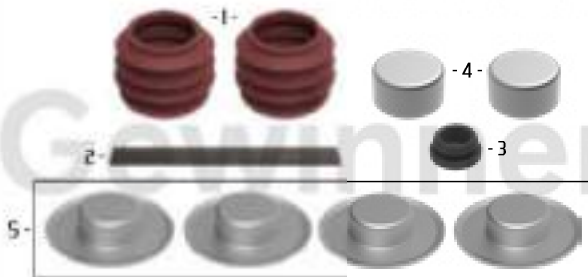


GEN 1 / GEN 2

PART NO	GW NO	CONTENTS	DIMENSION	QTY.
1	462102	CALIPER GUIDE PIN BOOT	-	6
2	46301	CALIPER GUIDE PIN BUSHING (FLAT & FIBER)	-	4
3	464104	CALIPER MECHANISM UPPER COVER CAP	-	1
4	464105	CALIPER GUIDE PIN CAP	∅ 42 x 23 mm	2
5	464106	CALIPER GUIDE PIN CAP	∅ 56 x 12 mm	4

9103

**452103 > CALIPER GUIDE PIN BOOT & BUSHING REPAIR KIT**

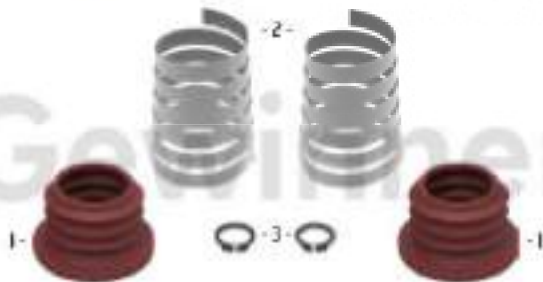


GEN 1 / GEN 2

PART NO	GW NO	CONTENTS	DIMENSION	QTY.
1	462102	CALIPER GUIDE PIN BOOT	-	2
2	463101	CALIPER GUIDE PIN BUSHING (FLAT & FIBER)	-	1
3	464104	CALIPER MECHANISM UPPER COVER CAP	-	1
4	464105	CALIPER GUIDE PIN CAP	∅ 42 x 23 mm	2
5	464106	CALIPER GUIDE PIN CAP	∅ 56 x 12 mm	4

9104

**450101 > CALIPER BOOT REPAIR KIT**



GEN 1 / GEN 2

PART NO	GW NO	CONTENTS	DIMENSION	QTY.
1	462101	CALIPER TAPPET BOOT	∅ 67 mm	2
2	472101	CALIPER TAPPET BOOT PROTECTION SPRING	∅ 67 mm	2
3	46803	RING	-	2

89794

**450102 > CALIPER BOOT REPAIR KIT**

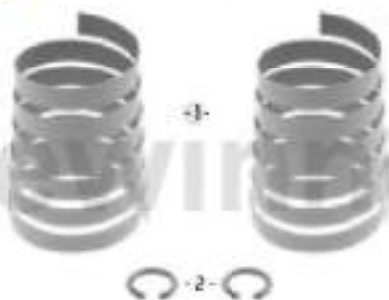


GEN 1 / GEN 2

PART NO	GW NO	CONTENTS	DIMENSION	QTY.
1	462101	CALIPER TAPPET BOOT	∅ 67 mm	2
2	464104	CALIPER MECHANISM UPPER COVER CAP	-	1
3	472101	CALIPER TAPPET BOOT PROTECTION SPRING	∅ 67 mm	2
4	46803	RING	-	2

9100

**472105 > CALIPER TAPPET BOOT PROTECTION SPRING SET**



GEN 1 / GEN 2

PART NO	GW NO	CONTENTS	DIMENSION	QTY.
1	472101	CALIPER TAPPET BOOT PROTECTION SPRING	∅ 67 mm	2
2	46803	RING	-	2

94565

**464102 > CALIPER CAP SET**



GEN 1 / GEN 2

PART NO	GW NO	CONTENTS	DIMENSION	QTY.
1	461104	CALIPER ADJUSTER SHAFT	-	2
2	464104	CALIPER MECHANISM UPPER COVER CAP	-	2
3	470101	CALIPER MECHANISM UPPER COVER SEAL	-	2

90693

**464110 > CALIPER CAP SET**



GEN 1 / GEN 2

PART NO	GW NO	CONTENTS	DIMENSION	QTY.
1	461104	CALIPER ADJUSTER SHAFT	-	1
2	464104	CALIPER MECHANISM UPPER COVER CAP	-	1
3	470101	CALIPER MECHANISM UPPER COVER SEAL	-	1

94892

**459101 > CALIPER GUIDE PIN BUSHING SET (PLASTIC)**



GEN 1 / GEN 2

PART NO	GW NO	CONTENTS	DIMENSION	QTY.
1	463107	CALIPER GUIDE PIN BUSHING (PLASTIC)	-	4

**464111 > CALIPER CAP SET**

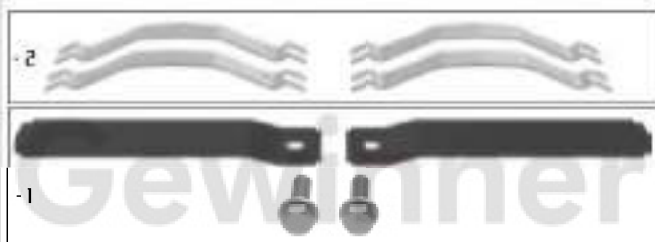


GEN 1 / GEN 2

PART NO	GW NO	CONTENTS	DIMENSION	QTY.
1	464105	CALIPER GUIDE PIN CAP	Ø 42 X 23 mm	2

91019

**411106** > BRAKE PAD RETAINER REPAIR KIT

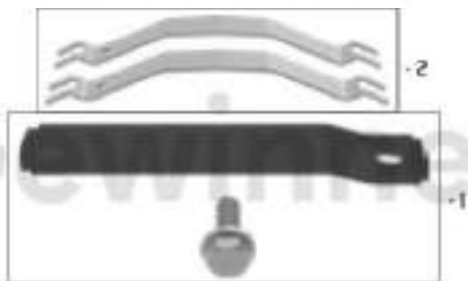


GEN 1 / GEN 2

PART NO	GEN NO	CONTENTS	DIMENSION	QTY.
1	41104	CALIPER BRAKE PAD RETAINER REPAIR KIT	-	2
2	41108	CALIPER BRAKE PAD RETAINER SPRING	-	2
3	464104	CALIPER MECHANISM UPPER COVER CAP	-	2

94659  
3 434 3851 01  
5-30560-3  
5021 174 162  
5021 174 180

**411107** > BRAKE PAD RETAINER REPAIR KIT



GEN 1 / GEN 2

PART NO	GEN NO	CONTENTS	DIMENSION	QTY.
1	41104	CALIPER BRAKE PAD RETAINER REPAIR KIT	-	1
2	41108	CALIPER BRAKE PAD RETAINER SPRING	-	1

91216  
5-30560-12

**411101** > BRAKE PAD RETAINER REPAIR KIT



GEN 1 / GEN 2

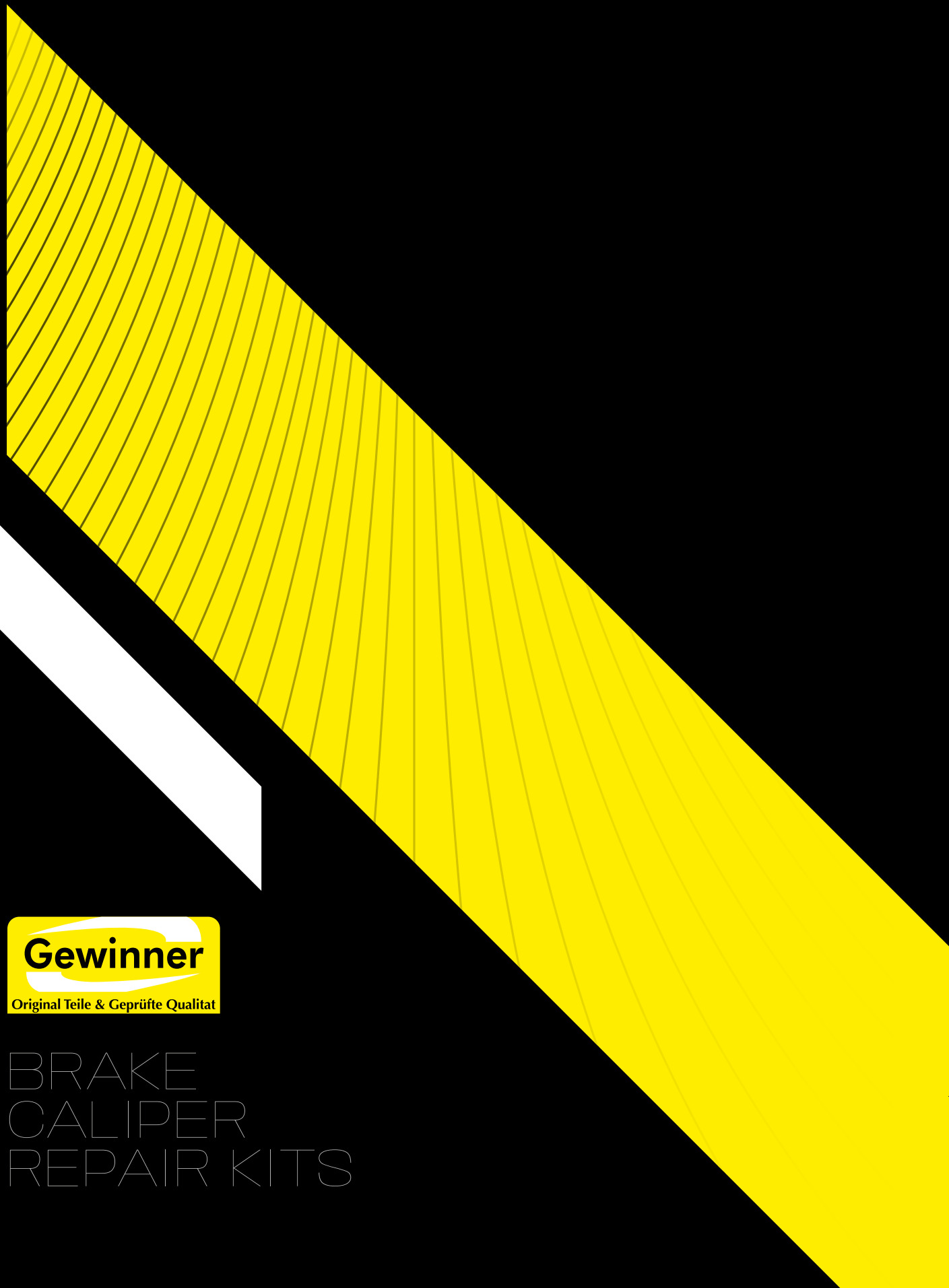
90673

**411108** > BRAKE PAD RETAINER REPAIR KIT



GEN 1 / GEN 2

89924



BRAKE  
CALIPER  
REPAIR KITS



*for*  
**HYDRAULIC**  
**MERITOR**

HYDRAULIC

**779133 > CALIPER GUIDE PIN REPAIR KIT**

IVECO Ø 58-68 mm FRONT / REAR  
VOLVO Ø 58-68 mm FRONT / REAR  
OPTARE Ø 58-68 mm FRONT / REAR  
RENAULT 68 mm FRONT

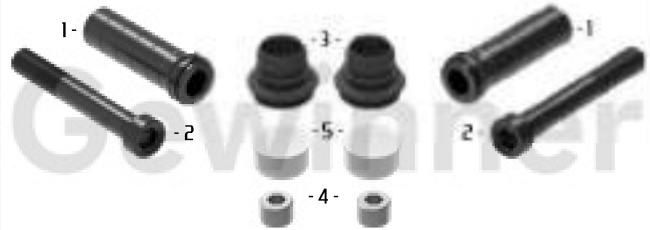


SP8565

PART NO	GW NO	CONTENTS	DIMENSION	QTY.
1	760103	CALIPER GUIDE PIN	Ø 20 x 71 mm	2
2	761107	CALIPER GUIDE PIN BOLT	M12 x 1.25 x 85 mm	2
3	762110	CALIPER GUIDE PIN BOOT	-	2
4	764111	CALIPER GUIDE PIN CAP	Ø 22 x 12 mm	2
5	764112	CALIPER GUIDE PIN CAP	Ø 22 x 8 mm	2

**779132 > CALIPER GUIDE PIN REPAIR KIT**

IVECO Ø 68 mm REAR



SJ1022

PART NO	GW NO	CONTENTS	DIMENSION	QTY.
1	760103	CALIPER GUIDE PIN	Ø 20 x 71 mm	2
2	761107	CALIPER GUIDE PIN BOLT	M12 x 1.25 x 85 mm	2
3	762110	CALIPER GUIDE PIN BOOT	-	2
4	764109	CALIPER GUIDE BOLTED CAP	M14 x 1.5 x 10 mm	2
5	764110	CALIPER GUIDE PIN CAP	Ø 24 x 12 mm	2

**779130 > CALIPER GUIDE PIN REPAIR KIT**

IVECO Ø 60 mm REAR



SJ1034

PART NO	GW NO	CONTENTS	DIMENSION	QTY.
1	760104	CALIPER GUIDE PIN	Ø 20 x 71 mm	2
2	761107	CALIPER GUIDE PIN BOLT	M12 x 1.25 x 85 mm	2
3	762110	CALIPER GUIDE PIN BOOT	-	2
4	764109	CALIPER GUIDE BOLTED CAP	M14 x 1.5 x 10 mm	2
5	764110	CALIPER GUIDE PIN CAP	Ø 24 x 12 mm	2

**779134 > CALIPER GUIDE PIN REPAIR KIT**

MERCEDES-BENZ Ø 60 mm FRONT  
RENAULT Ø 60 mm FRONT



SP8902

PART NO	GW NO	CONTENTS	DIMENSION	QTY.
1	760105	CALIPER GUIDE PIN	Ø 20 x 80 mm	2
2	761108	CALIPER GUIDE PIN BOLT	M12 x 1.25 x 95 mm	2
3	762110	CALIPER GUIDE PIN BOOT	-	2
4	764109	CALIPER GUIDE BOLTED CAP	M14 x 1.5 x 10 mm	2

**779144 > CALIPER GUIDE PIN REPAIR KIT**

IVECO Ø 60 mm FRONT  
MERCEDES-BENZ Ø 54 mm REAR  
MERCEDES-BENZ Ø 60 mm REAR



SJ1035  
ST1153

PART NO	GW NO	CONTENTS	DIMENSION	QTY.
1	760104	CALIPER GUIDE PIN	Ø 20 x 71 mm	2
2	761107	CALIPER GUIDE PIN BOLT	M12 x 1.25 x 85 mm	2
3	762110	CALIPER GUIDE PIN BOOT	-	2
4	764110	CALIPER GUIDE PIN CAP	Ø 24 x 12 mm	2

**779131 > CALIPER BOOT & CAP SET**

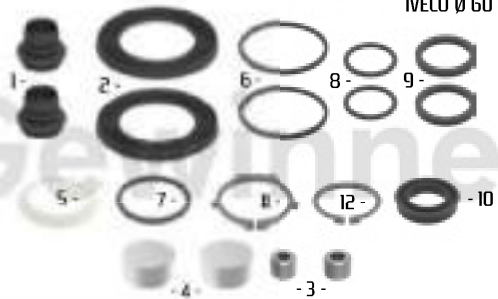


ST1154  
000 421 8386

PART NO	GW NO	CONTENTS	DIMENSION	QTY.
1	762110	CALIPER GUIDE PIN BOOT	-	2
2	764109	CALIPER GUIDE BOLTED CAP	M14 x 1.5 x 10 mm	2
3	764110	CALIPER GUIDE PIN CAP	Ø 24 x 12 mm	2

**779135** > CALIPER BOOT & SEAL SET

IVECO Ø 60 mm REAR

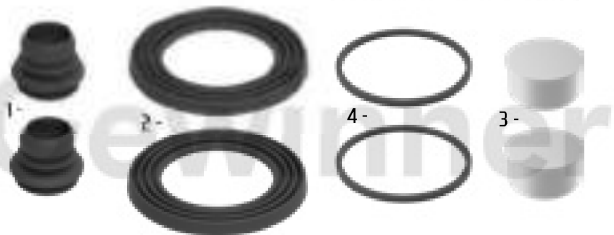


SJ1030

PART NO	GW NO	CONTENTS	DIMENSION	QTY.
1	762110	CALIPER GUIDE PIN BOOT	-	2
2	762111	CALIPER PISTON BOOT	-	2
3	764109	CALIPER GUIDE BOLTED CAP	M4 x 1.5 x 10 mm	2
4	764110	CALIPER GUIDE PIN CAP	Ø 24 x 12 mm	2
5	766102	CALIPER AUTO ADJUSTER PLASTIC RING	-	1
6	768107	CALIPER AUTO ADJUSTER SEAL	-	2
7	768108	CALIPER AUTO ADJUSTER O-RING (LARGE)	-	1
8	768109	CALIPER AUTO ADJUSTER O-RING (SMALL)	-	2
9	768110	CALIPER AUTO ADJUSTER SEAL	-	2
10	770104	CALIPER CRANKSHAFT TAPPET SEAL	-	1
11	781102	CALIPER AUTO ADJUSTER CIRCLIP	-	1
12	781103	CALIPER AUTO ADJUSTER CIRCLIP	-	1

**779136** > CALIPER BOOT & SEAL SET

IVECO Ø 60 mm FRONT

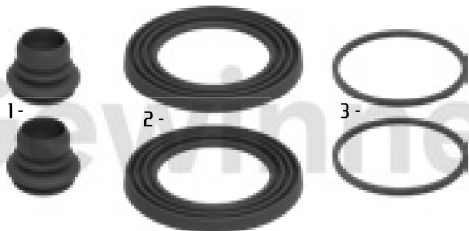


SJ1037

PART NO	GW NO	CONTENTS	DIMENSION	QTY.
1	762110	CALIPER GUIDE PIN BOOT	-	2
2	762111	CALIPER PISTON BOOT	-	2
3	764110	CALIPER GUIDE PIN CAP	Ø 24 x 12 mm	2
4	768107	CALIPER AUTO ADJUSTER SEAL	-	2

**779137** > CALIPER BOOT & SEAL SET

MERCEDES-BENZ Ø 60 mm FRONT  
RENAULT Ø 60 mm FRONT

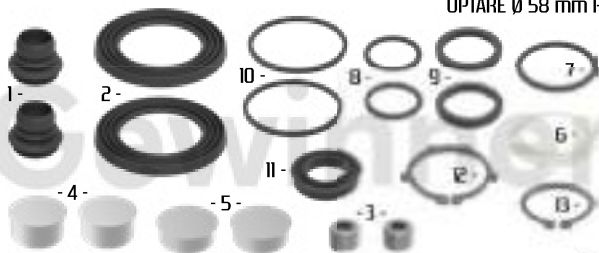


SP8597

PART NO	GW NO	CONTENTS	DIMENSION	QTY.
1	762110	CALIPER GUIDE PIN BOOT	-	2
2	762111	CALIPER PISTON BOOT	-	2
3	768107	CALIPER AUTO ADJUSTER SEAL	-	2

**779138** > CALIPER BOOT & SEAL SET

IVECO Ø 58 mm REAR  
VOLVO Ø 58 mm REAR  
OPTARE Ø 58 mm REAR

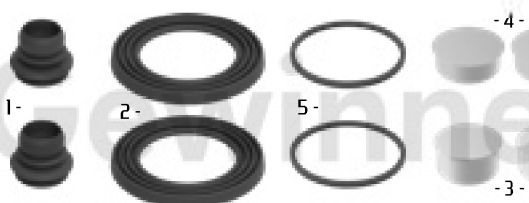


SP0660

PART NO	GW NO	CONTENTS	DIMENSION	QTY.
1	762110	CALIPER GUIDE PIN BOOT	-	2
2	762112	CALIPER PISTON BOOT	-	2
3	764109	CALIPER GUIDE BOLTED CAP	M4 x 1.5 x 10 mm	2
4	764111	CALIPER GUIDE PIN CAP	Ø 22 x 12 mm	2
5	764112	CALIPER GUIDE PIN CAP	Ø 22 x 8 mm	2
6	766102	CALIPER AUTO ADJUSTER PLASTIC RING	-	1
7	768108	CALIPER AUTO ADJUSTER O-RING (LARGE)	-	1
8	768109	CALIPER AUTO ADJUSTER O-RING (SMALL)	-	2
9	768110	CALIPER AUTO ADJUSTER SEAL	-	2
10	768115	CALIPER AUTO ADJUSTER SEAL	-	2
11	770104	CALIPER CRANKSHAFT TAPPET SEAL	-	1
12	781102	CALIPER AUTO ADJUSTER CIRCLIP	-	1
13	781103	CALIPER AUTO ADJUSTER CIRCLIP	-	1

**779139** > CALIPER BOOT & SEAL SET

IVECO Ø 58 mm FRONT



SP8567

PART NO	GW NO	CONTENTS	DIMENSION	QTY.
1	762110	CALIPER GUIDE PIN BOOT	-	2
2	762112	CALIPER PISTON BOOT	-	2
3	764111	CALIPER GUIDE PIN CAP	Ø 22 x 12 mm	2
4	764112	CALIPER GUIDE PIN CAP	Ø 22 x 8 mm	2
5	768115	CALIPER AUTO ADJUSTER SEAL	-	2

**779140 >> CALIPER BOOT & SEAL SET**

IVECO Ø 68 mm REAR  
VOLVO Ø 68 mm REAR  
OPTARE Ø 68 mm REAR

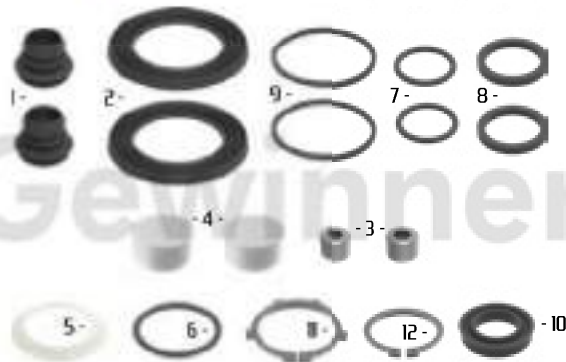


SP9670

PART NO	GW NO	CONTENTS	DIMENSION	QTY.
1	762110	CALIPER GUIDE PIN BOOT	-	2
2	762115	CALIPER PISTON BOOT	-	2
3	764111	CALIPER GUIDE PIN CAP	Ø 22 x 12 mm	2
4	764112	CALIPER GUIDE PIN CAP	Ø 22 x 8 mm	2
5	766102	CALIPER AUTO ADJUSTER PLASTIC RING	-	1
6	768109	CALIPER AUTO ADJUSTER O-RING (SMALL)	-	2
7	768110	CALIPER AUTO ADJUSTER SEAL	-	2
8	768114	CALIPER PISTON SEAL	-	2
9	770104	CALIPER CRANKSHAFT TAPPET SEAL	-	1
10	781102	CALIPER AUTO ADJUSTER CIRCLIP	-	1
11	781103	CALIPER AUTO ADJUSTER CIRCLIP	-	1

**779141 >> CALIPER BOOT & SEAL SET**

IVECO Ø 68 mm REAR

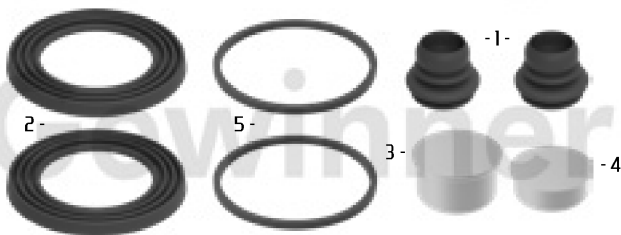


5J1033

PART NO	GW NO	CONTENTS	DIMENSION	QTY.
1	762110	CALIPER GUIDE PIN BOOT	-	2
2	762115	CALIPER PISTON BOOT	-	2
3	764109	CALIPER GUIDE BOLTED CAP	M4 x 1.5 x 10 mm	2
4	764110	CALIPER GUIDE PIN CAP	Ø 24 x 12 mm	2
5	766102	CALIPER AUTO ADJUSTER PLASTIC RING	-	1
6	768108	CALIPER AUTO ADJUSTER O-RING (LARGE)	-	1
7	768109	CALIPER AUTO ADJUSTER O-RING (SMALL)	-	2
8	768110	CALIPER AUTO ADJUSTER SEAL	-	2
9	768114	CALIPER PISTON SEAL	-	2
10	770104	CALIPER CRANKSHAFT TAPPET SEAL	-	1
11	781102	CALIPER AUTO ADJUSTER CIRCLIP	-	1
12	781103	CALIPER AUTO ADJUSTER CIRCLIP	-	1

**779142 >> CALIPER BOOT & SEAL SET**

IVECO Ø 68 mm FRONT  
VOLVO Ø 68 mm FRONT  
RENAULT Ø 68 mm FRONT



SP8564

PART NO	GW NO	CONTENTS	DIMENSION	QTY.
1	762110	CALIPER GUIDE PIN BOOT	-	2
2	762115	CALIPER PISTON BOOT	-	2
3	764111	CALIPER GUIDE PIN CAP	Ø 22 x 12 mm	2
4	764112	CALIPER GUIDE PIN CAP	Ø 22 x 8 mm	2
5	768114	CALIPER PISTON SEAL	-	2

**779143 >> CALIPER BOOT & SEAL SET**



SP8566

PART NO	GW NO	CONTENTS	DIMENSION	QTY.
1	762110	CALIPER GUIDE PIN BOOT	-	2
2	764109	CALIPER GUIDE BOLTED CAP	M4 x 1.5 x 10 mm	2

**779179 > CALIPER HAND BRAKE KIT**

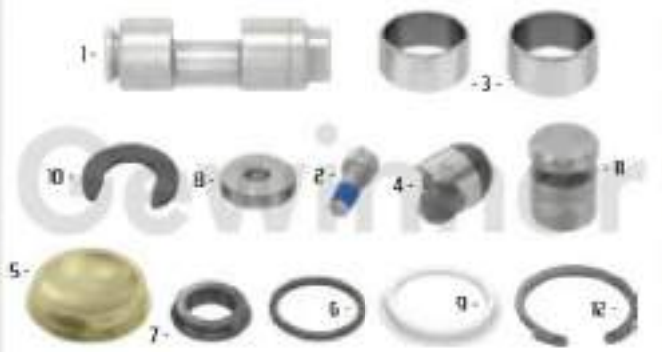
IVECO Ø 58-68 mm REAR  
VOLVO Ø 58-68 mm REAR  
OPTARE Ø 58-68 mm REAR



PART NO	GW NO	CONTENTS	DIMENSION	QTY.
1	76301	CALIPER CRANKSHAFT	34 mm	1
2	76489	CALIPER CRANKSHAFT BOLT	M10 x 1.5 x 25 mm	1
3	76305	CALIPER GUIDE PIN BUSHING	Ø 39 x 35 x 20 mm	2
4	76107	CALIPER CRANKSHAFT KNUCKLE (with BUSHING)	Ø 29.5 mm	1
5	76486	CALIPER CRANKSHAFT CAP	-	1
6	76000	CALIPER AUTO ADJUSTER O-RING (LARGE)	-	1
7	77004	CALIPER CRANKSHAFT TAPPET SEAL	-	1
8	77303	CALIPER CRANKSHAFT WASHER	-	1
9	77304	CALIPER AUTO ADJUSTER PLASTIC RING	-	1
10	77305	CALIPER CRANKSHAFT CIRCLIP	-	1
11	77603	CALIPER CRANKSHAFT TAPPET	Ø 31.60 x 42 mm	1
12	70807	CALIPER CRANKSHAFT CIRCLIP	-	1

SP0570

**779201 > CALIPER HAND BRAKE KIT**



PART NO	GW NO	CONTENTS	DIMENSION	QTY.
1	76304	CALIPER CRANKSHAFT	34 mm	1
2	76489	CALIPER CRANKSHAFT BOLT	M10 x 1.5 x 25 mm	1
3	76305	CALIPER GUIDE PIN BUSHING	Ø 39 x 35 x 20 mm	2
4	76107	CALIPER CRANKSHAFT KNUCKLE (with BUSHING)	Ø 29.5 mm	1
5	76486	CALIPER CRANKSHAFT CAP	-	1
6	76000	CALIPER AUTO ADJUSTER O-RING (LARGE)	-	1
7	77004	CALIPER CRANKSHAFT TAPPET SEAL	-	1
8	77303	CALIPER CRANKSHAFT WASHER	-	1
9	77304	CALIPER AUTO ADJUSTER PLASTIC RING	-	1
10	77305	CALIPER CRANKSHAFT CIRCLIP	-	1
11	77603	CALIPER CRANKSHAFT TAPPET	Ø 31.60 x 42 mm	1
12	70807	CALIPER CRANKSHAFT CIRCLIP	-	1

**779180 > CALIPER HAND BRAKE KIT**

IVECO Ø 60 mm REAR  
IVECO Ø 68 mm REAR



PART NO	GW NO	CONTENTS	DIMENSION	QTY.
1	76303	CALIPER CRANKSHAFT	34 mm	1
2	76489	CALIPER CRANKSHAFT BOLT	M10 x 1.5 x 25 mm	1
3	76305	CALIPER GUIDE PIN BUSHING	Ø 39 x 35 x 20 mm	2
4	76107	CALIPER CRANKSHAFT KNUCKLE (with BUSHING)	Ø 29.5 mm	1
5	76486	CALIPER CRANKSHAFT CAP	-	1
6	76000	CALIPER AUTO ADJUSTER O-RING (LARGE)	-	1
7	77303	CALIPER CRANKSHAFT WASHER	-	1
8	77304	CALIPER AUTO ADJUSTER PLASTIC RING	-	1
9	77305	CALIPER CRANKSHAFT CIRCLIP	-	1
10	70807	CALIPER CRANKSHAFT CIRCLIP	-	1

**779181 > CALIPER HAND BRAKE KIT**

IVECO Ø 60 mm REAR  
IVECO Ø 68 mm REAR



PART NO	GW NO	CONTENTS	DIMENSION	QTY.
1	76302	CALIPER CRANKSHAFT	-	1
2	76305	CALIPER GUIDE PIN BUSHING	Ø 39 x 35 x 20 mm	2
3	76107	CALIPER CRANKSHAFT KNUCKLE (with BUSHING)	Ø 29.5 mm	1
4	76486	CALIPER CRANKSHAFT CAP	-	1
5	76000	CALIPER AUTO ADJUSTER O-RING (LARGE)	-	1
6	76305	CALIPER CRANKSHAFT NUT	-	1
7	77004	CALIPER CRANKSHAFT TAPPET SEAL	-	1
8	77304	CALIPER AUTO ADJUSTER PLASTIC RING	-	1
9	77305	CALIPER CRANKSHAFT CIRCLIP	-	1
10	77306	CALIPER CRANKSHAFT WASHER	-	1
11	77603	CALIPER CRANKSHAFT TAPPET	Ø 31.60 x 42 mm	1
12	70807	CALIPER CRANKSHAFT CIRCLIP	-	1

**779183** > CALIPER AUTO ADJUSTER REPAIR KIT  
Ø 58 mm

IVECO Ø 58 mm REAR  
VOLVO Ø 58 mm REAR  
OPTARE Ø 58 mm REAR



5 8091

PART NO	GW NO	CONTENTS	DIMENSION	QTY.
1	76112	CALIPER AUTO ADJUSTER BOLT	-	1
2	77217	CALIPER AUTO ADJUSTER SPRING	-	1
3	77218	CALIPER AUTO ADJUSTER SPRING CASE	-	1
4	77819	CALIPER AUTO ADJUSTER PISTON KIT	Ø 58 x 63 mm	1
5	78103	CALIPER AUTO ADJUSTER CIRLIP	-	1

**779186** > CALIPER AUTO ADJUSTER REPAIR KIT  
Ø 68 mm

IVECO Ø 68 mm REAR  
VOLVO Ø 68 mm REAR  
OPTARE Ø 68 mm REAR



5 8092

PART NO	GW NO	CONTENTS	DIMENSION	QTY.
1	76112	CALIPER AUTO ADJUSTER BOLT	-	1
2	77217	CALIPER AUTO ADJUSTER SPRING	-	1
3	77218	CALIPER AUTO ADJUSTER SPRING CASE	-	1
4	77820	CALIPER AUTO ADJUSTER PISTON KIT	Ø 68 x 63 mm	1
5	78103	CALIPER AUTO ADJUSTER CIRLIP	-	1

**779184** > CALIPER HAND BRAKE PISTON Ø 58 x 63 mm

IVECO Ø 58 mm REAR  
VOLVO Ø 58 mm REAR  
OPTARE Ø 58 mm REAR



68320294

**779187** > CALIPER HAND BRAKE PISTON Ø 68 x 63 mm

IVECO Ø 68 mm REAR  
VOLVO Ø 68 mm REAR  
OPTARE Ø 68 mm REAR



68320293

**779185** > CALIPER BRAKE PISTON Ø 58 x 63 mm

IVECO Ø 58 mm FRONT / REAR  
VOLVO Ø 58 mm FRONT / REAR  
OPTARE Ø 58 mm FRONT / REAR



68320070

**779188** > CALIPER BRAKE PISTON Ø 68 x 63 mm

IVECO Ø 68 mm FRONT / REAR  
VOLVO Ø 68 mm FRONT / REAR  
OPTARE Ø 68 mm FRONT / REAR



68320021

**779189** > CALIPER AUTO ADJUSTER REPAIR KIT  
Ø 60 mm

IVECO Ø 60 mm REAR



SJ1215

PART NO	GW NO	CONTENTS	DIMENSION	QTY.
1	76112	CALIPER AUTO ADJUSTER BOLT	-	1
2	77219	CALIPER AUTO ADJUSTER SPRING	-	1
3	77210	CALIPER AUTO ADJUSTER SPRING CASE	-	1
4	778121	CALIPER AUTO ADJUSTER PISTON KIT	Ø 60 x 63 mm	1
5	78103	CALIPER AUTO ADJUSTER CIRCLIP	-	1

**779192** > CALIPER AUTO ADJUSTER REPAIR KIT  
Ø 68 mm

IVECO Ø 68 mm REAR



SJ1214

PART NO	GW NO	CONTENTS	DIMENSION	QTY.
1	76112	CALIPER AUTO ADJUSTER BOLT	-	1
2	77219	CALIPER AUTO ADJUSTER SPRING	-	1
3	77210	CALIPER AUTO ADJUSTER SPRING CASE	-	1
4	778122	CALIPER AUTO ADJUSTER PISTON KIT	Ø 68 x 63 mm	1
5	78103	CALIPER AUTO ADJUSTER CIRCLIP	-	1

**779190** > CALIPER HAND BRAKE PISTON Ø 60 x 63 mm  
IVECO Ø 60 mm REAR



68321603

**779193** > CALIPER HAND BRAKE PISTON Ø 68 x 63 mm  
IVECO Ø 68 mm REAR



68320567

**779191** > CALIPER BRAKE PISTON Ø 60 x 63 mm  
IVECO Ø 60 mm FRONT / REAR  
RENAULT Ø 60 mm FRONT



31320085

**779194** > CALIPER BRAKE PISTON Ø 68 x 63 mm  
IVECO Ø 68 mm FRONT / REAR



68320564

**779182** > CRANKSHAFT KNUCKLE BUSHING KIT



PART NO.	GW NO.	CONTENTS	DIMENSION	QTY.
1	76300	CRANKSHAFT KNUCKLE BUSHING	-	5

**779196** > CALIPER COVER BOLT SET



PART NO.	GW NO.	CONTENTS	DIMENSION	QTY.
1	76400	CALIPER COVER BOLT	M12 x 1,25 x 40 mm	4

**779202** > CALIPER BLEEDER SCREW KIT



PART NO.	GW NO.	CONTENTS	DIMENSION	QTY.
1	76104	CALIPER BLEEDER SCREW	-	1
2	76418	CALIPER BLEEDER SCREW CAP	-	1

**779195** > CALIPER BRAKE PAD RETAINER REPAIR KIT



[www.gewinnerbrake.com](http://www.gewinnerbrake.com)

*for*  
**HYDRAULIC**  
**BREMBO**

BREMBO HYDRAULIC



BRAKE  
CALIPER  
REPAIR KITS

**779145 > CALIPER GUIDE PIN REPAIR KIT**

MERCEDES-BENZ SPRINTER

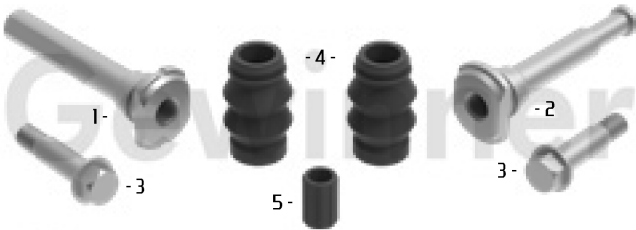


PART NO.	GW NO.	CONTENTS	DIMENSION	QTY.
1	762006	CALIPER GUIDE PIN	∅ 18 x 66 mm	1
2	760007	CALIPER GUIDE PIN	∅ 18 x 66 mm	1
3	76809	CALIPER GUIDE PIN BOLT	M8 x 1,25 x 70 mm	2
4	76207	CALIPER GUIDE PIN BOOT	-	2
5	763003	CALIPER GUIDE PIN RUBBER SLEEVE	-	1
6	76400	CALIPER GUIDE PIN CAP	-	2

000 420 0054  
000 420 0250  
000 420 0850

**779146 > CALIPER GUIDE PIN REPAIR KIT**

MERCEDES-BENZ SPRINTER



PART NO.	GW NO.	CONTENTS	DIMENSION	QTY.
1	775106	CALIPER GUIDE PIN	∅ 12,15 x 82 mm	1
2	775107	CALIPER GUIDE PIN	∅ 11,5 x 82 mm	1
3	76110	CALIPER GUIDE PIN BOLT	M10 x 1,25 x 30 mm	2
4	76214	CALIPER GUIDE PIN BOOT	-	2
5	763104	CALIPER GUIDE PIN RUBBER SLEEVE	-	1

000 423 0663

**779152 > CALIPER GUIDE PIN REPAIR KIT**

IVECO DAILY



PART NO.	GW NO.	CONTENTS	DIMENSION	QTY.
1	762006	CALIPER GUIDE PIN	∅ 18 x 66 mm	2
2	76809	CALIPER GUIDE PIN BOLT	M8 x 1,25 x 70 mm	2
3	76207	CALIPER GUIDE PIN BOOT	-	2
4	76400	CALIPER GUIDE PIN CAP	-	2
5	765003	CALIPER GUIDE PIN BOOT CLAMP	-	2

4254897  
4255546

**779153 > CALIPER GUIDE PIN REPAIR KIT**

IVECO DAILY



PART NO.	GW NO.	CONTENTS	DIMENSION	QTY.
1	762006	CALIPER GUIDE PIN	∅ 18 x 63 mm	2
2	76809	CALIPER GUIDE PIN BOLT	M8 x 1,25 x 70 mm	2
3	76207	CALIPER GUIDE PIN BOOT	-	2
4	76400	CALIPER GUIDE PIN CAP	-	2

93062193

**779158** > CALIPER GUIDE PIN REPAIR KIT

IVECO DAILY



4253422  
9316759

PART NO	GW NO	CONTENTS	DIMENSION	QTY.
1	762180	CALIPER GUIDE PIN	∅ 22 x 90 mm	2
2	762184	CALIPER GUIDE PIN BOLT	M12 x 1.75 x 110 mm	2
3	762189	CALIPER GUIDE PIN BOOT	-	4

**779159** > CALIPER GUIDE PIN REPAIR KIT

IVECO DAILY

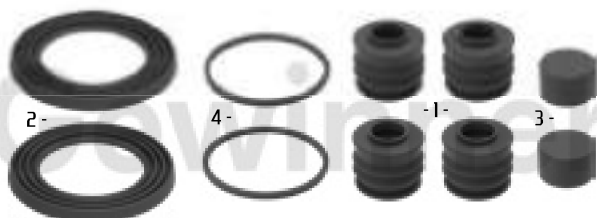


42559195

PART NO	GW NO	CONTENTS	DIMENSION	QTY.
1	762188	CALIPER GUIDE PIN	∅ 22 x 98 mm	2
2	762185	CALIPER GUIDE PIN BOLT	M12 x 1.75 x 120 mm	2
3	762189	CALIPER GUIDE PIN BOOT	-	4

**779156** > CALIPER BOOT SET

IVECO DAILY

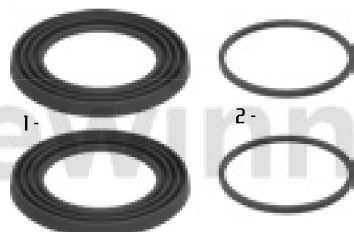


93162192

PART NO	GW NO	CONTENTS	DIMENSION	QTY.
1	762187	CALIPER GUIDE PIN BOOT	-	4
2	762186	CALIPER PISTON BOOT	-	2
3	764114	CALIPER HEAD PLUG	-	2
4	770107	CALIPER PISTON SEAL	-	2

**779154** > CALIPER BOOT SET

IVECO DAILY



93161847

PART NO	GW NO	CONTENTS	DIMENSION	QTY.
1	762188	CALIPER PISTON BOOT	-	2
2	770107	CALIPER PISTON SEAL	-	2

**779157** > CALIPER BOOT SET

IVECO DAILY



PART NO	GW NO	CONTENTS	DIMENSION	QTY.
1	762187	CALIPER GUIDE PIN BOOT	-	4

**779160** >> CALIPER HAND BRAKE PISTON  
Ø 60 x 65 mm



**779161** >> CALIPER PISTON Ø 60 x 65 mm



**779162** >> CALIPER HAND BRAKE PISTON Ø 60 x 75 mm



**779163** >> CALIPER PISTON Ø 60 x 75 mm



**779170** >> CALIPER AUTO ADJUSTER TAPPET 39.35 mm



**779171** >> CALIPER AUTO ADJUSTER TAPPET 50.75 mm



**779164** >> CALIPER AUTO ADJUSTER SET



**779167** >> CALIPER CRANKSHAFT TAPPET SET



PART NO	GW NO	CONTENTS	DIMENSION	QTY.
1	76116	CALIPER AUTO ADJUSTER BOLT	Ø 15 x 60 mm	1
2	76404	CALIPER AUTO ADJUSTER NUT	-	1

PART NO	GW NO	CONTENTS	DIMENSION	QTY.
1	771010	CALIPER CRANKSHAFT TAPPET SEAL	-	1
2	776102	CALIPER CRANKSHAFT TAPPET	Ø 34 x 39 mm	1

**779169** > CRANKSHAFT KNUCKLE BUSHING KIT



PART NO.	GW NO.	CONTENTS	DIMENSION	QTY.
1	76306	CRANKSHAFT KNUCKLE BUSHING	-	5

**779168** > CALIPER CRANKSHAFT KNUCKLE (with BUSHING) Ø 32 x 39.5 mm



**779172** > CALIPER AUTO ADJUSTER SPRING



**779173** > CALIPER AUTO ADJUSTER THRUST BEARING



**779175** > CALIPER AUTO ADJUSTER O-RING KIT



**779174** > CALIPER AUTO ADJUSTER CIRCLIP KIT



**779165** > CALIPER AUTO ADJUSTER BOLT Ø 16 x 79 mm



**779166** > CALIPER AUTO ADJUSTER WASHER



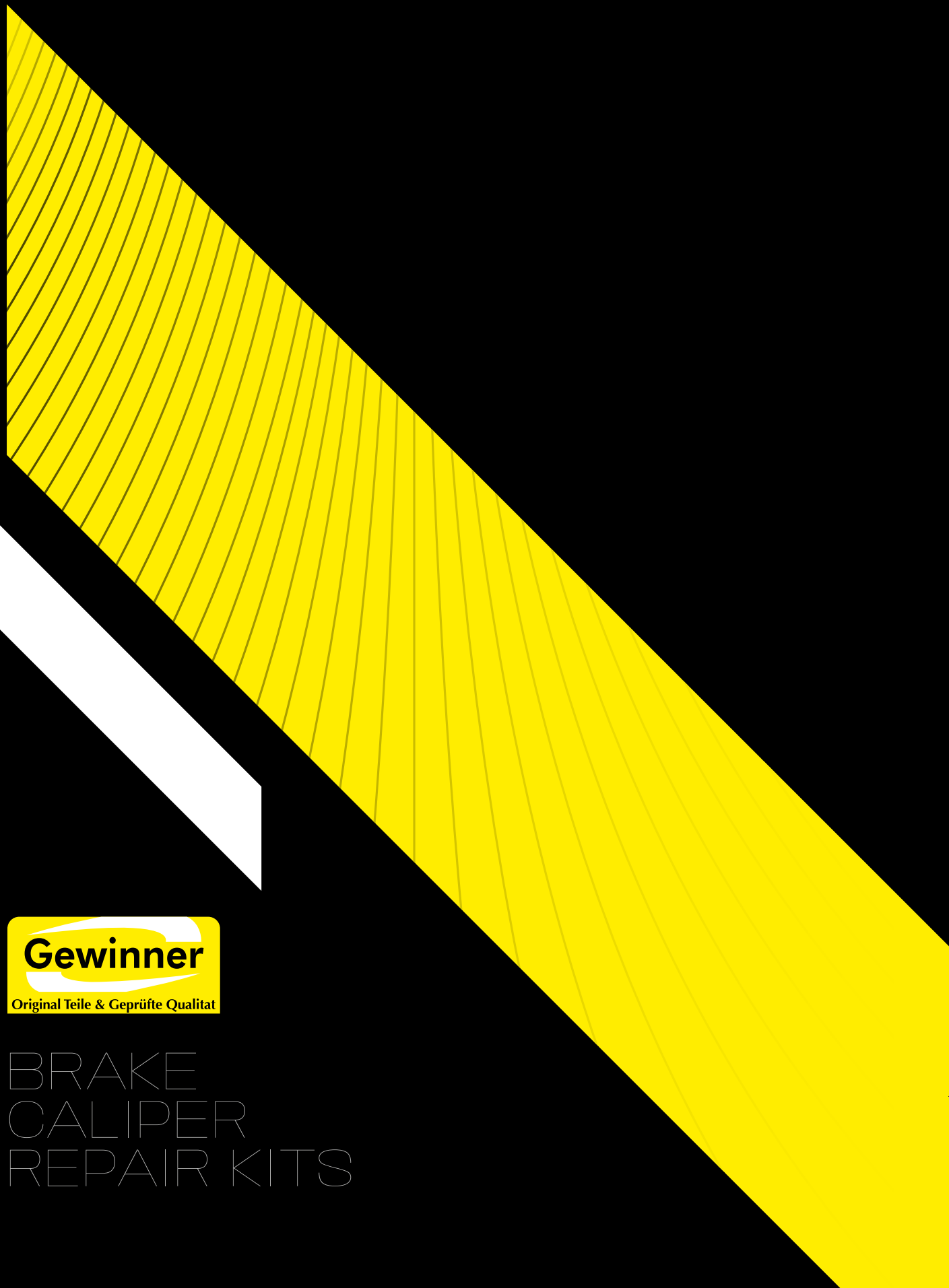
**779176** > CALIPER BRAKE PAD RETAINER REPAIR KIT



**779177** > CALIPER COVER BOLT SET



93161757



BRAKE  
CALIPER  
REPAIR KITS



*for*  
**HYDRAULIC**  
**WABCO**

**779178** >> CALIPER BOOT SET

IVECO DAILY  
OTOKAR



PART NO	GW NO	CONTENTS	DIMENSION	QTY.
1	762120	CALIPER PISTON BOOT	Ø 34 mm	4
2	770109	CALIPER PISTON SEAL	-	4

12 999 199VT  
93161181  
12E0008228AA

**762120** >> CALIPER PISTON BOOT Ø 34 mm

**770109** >> CALIPER PISTON SEAL



**779197** > CALIPER BOOT SET

DAF F 45 / F 55  
IVECO ZETA / TURBOZETA  
DAEWOO



PART NO.	GW NO.	CONTENTS	DIMENSION	QTY.
1	779198	CALIPER PISTON BOOT	Ø 34 mm	4
2	779199	CALIPER PISTON SEAL	-	4

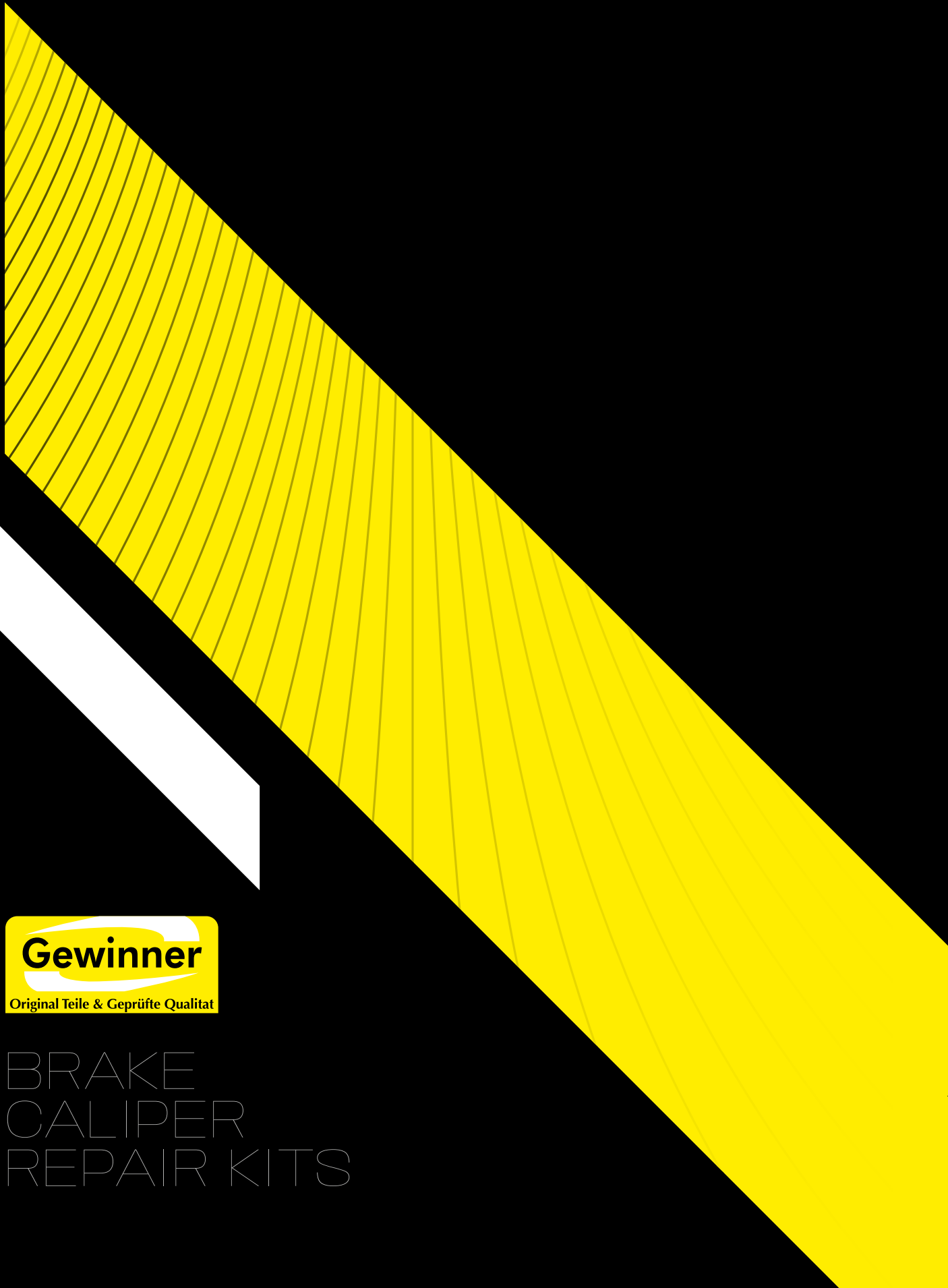
12 999 116VT  
FBUI076  
8124032  
Z366595990

**779198** > CALIPER PISTON BOOT Ø 34 mm



**779199** > CALIPER PISTON SEAL





BRAKE  
CALIPER  
REPAIR KITS



*for*  
**Z-CAM BRAKE**  
**MERITOR**

**701402 > BRAKE COMPLETE REPAIR KIT -R**



PART NO.	GW NO.	CONTENTS	DIMENSION	QTY.
1	702401	BRAKE ADJUSTER SHAFT -R	-	1
2	702501	BRAKE ADJUSTER SHAFT -L	-	1
3	703101	BRAKE CROSS SHAFT ASSEMBLY	-	1
4	710101	BRAKE COVER PLATE	-	1
5	761125	BRAKE COVER PLATE BOLT	-	4
6	762101	MECHANISM DUST BOOT RUBBER	-	2
7	763111	BRAKE CAMSHAFT BUSHING	∅ 43 x 38.4 x 26.4 mm	1
8	770101	BRAKE COVER GASKET & SEAL SET	-	1
9	770110	BRAKE ADJUSTER SHAFT SEAL	∅ 47.6 x 37 x 5.7 mm	2
10	772101	BRAKE SHOE SPRING	-	1
11	773109	BRAKE COVER PLATE BOLT WASHER	-	4
12	775102	BRAKE ADJUSTER STRUT	-	2
13	784401	BRAKE MANUAL OVERRIDE KIT -R	-	1

OLD MODEL

**701502 > BRAKE COMPLETE REPAIR KIT -L**



PART NO.	GW NO.	CONTENTS	DIMENSION	QTY.
1	702401	BRAKE ADJUSTER SHAFT -R	-	1
2	702501	BRAKE ADJUSTER SHAFT -L	-	1
3	703101	BRAKE CROSS SHAFT ASSEMBLY	-	1
4	710101	BRAKE COVER PLATE	-	1
5	761125	BRAKE COVER PLATE BOLT	-	4
6	762101	MECHANISM DUST BOOT RUBBER	-	2
7	763111	BRAKE CAMSHAFT BUSHING	∅ 43 x 38.4 x 26.4 mm	1
8	770101	BRAKE COVER GASKET & SEAL SET	-	1
9	770110	BRAKE ADJUSTER SHAFT SEAL	∅ 47.6 x 37 x 5.7 mm	2
10	772101	BRAKE SHOE SPRING	-	1
11	773109	BRAKE COVER PLATE BOLT WASHER	-	4
12	775102	BRAKE ADJUSTER STRUT	-	2
13	784501	BRAKE MANUAL OVERRIDE KIT -L	-	1

OLD MODEL

**701401** > BRAKE REPAIR KIT -R

VOLVO TRUCK F10 / F12 / F16 / F110 / F112  
VOLVO BUS B10B / B10L / B12



PART NO	GW NO	CONTENTS	DIMENSION	QTY.
1	702401	BRAKE ADJUSTER SHAFT -R	-	1
2	702501	BRAKE ADJUSTER SHAFT -L	-	1
3	703101	BRAKE CROSS SHAFT ASSEMBLY	-	1
4	762101	MECHANISM DUST BOOT RUBBER	-	2
5	770101	BRAKE COVER GASKET & SEAL SET	-	1
6	772101	BRAKE SHOE SPRING	-	1
7	775102	BRAKE ADJUSTER STRUT	-	2
8	784401	BRAKE MANUAL OVERRIDE KIT -R	-	1

OLD MODEL

**701501** > BRAKE REPAIR KIT -L

VOLVO TRUCK F10 / F12 / F16 / F110 / F112  
VOLVO BUS B10B / B10L / B12



PART NO	GW NO	CONTENTS	DIMENSION	QTY.
1	702401	BRAKE ADJUSTER SHAFT -R	-	1
2	702501	BRAKE ADJUSTER SHAFT -L	-	1
3	703101	BRAKE CROSS SHAFT ASSEMBLY	-	1
4	762101	MECHANISM DUST BOOT RUBBER	-	2
5	770101	BRAKE COVER GASKET & SEAL SET	-	1
6	772101	BRAKE SHOE SPRING	-	1
7	775102	BRAKE ADJUSTER STRUT	-	2
8	784501	BRAKE MANUAL OVERRIDE KIT -L	-	1

OLD MODEL

**701503** >> BRAKE COMPLETE REPAIR KIT -L

RENAULT KERAX DXI II / KERAX DXI 13 / PREMIUM II TR / PREMIUM II PR / PREMIUM II DXI 7  
VOLVO F10 / F12 / F16 / FL6 / FL10 / FL12  
VOLVO BUS B12



PART NO	GW NO	CONTENTS	DIMENSION	QTY.
1	702401	BRAKE ADJUSTER SHAFT -R	-	1
2	702501	BRAKE ADJUSTER SHAFT -L	-	1
3	703101	BRAKE CROSS SHAFT ASSEMBLY	-	1
4	710101	BRAKE COVER PLATE	-	1
5	761125	BRAKE COVER PLATE BOLT	-	4
6	762101	MECHANISM DUST BOOT RUBBER	-	2
7	763111	BRAKE CAMSHAFT BUSHING	Ø 43 x 38.4 x 26.4 mm	2
8	768121	BRAKE CAMSHAFT O-RING	-	1
9	770101	BRAKE COVER GASKET & SEAL SET	-	1
10	770110	BRAKE ADJUSTER SHAFT SEAL	Ø 47.6 x 37 x 5.7 mm	2
11	770111	BRAKE CAMSHAFT SEAL	Ø 75.8 x 34.3 x 7.5 mm	1
12	770112	BRAKE CAMSHAFT SEAL	Ø 52 x 38 x 7 mm	1
13	772101	BRAKE SHOE SPRING	-	1
14	773108	BRAKE CAMSHAFT SPACER WASHER	-	1
15	773109	BRAKE COVER PLATE BOLT WASHER	-	4
16	775101	BRAKE ABUTMENT PIN	-	2
17	775102	BRAKE ADJUSTER STRUT	-	2
18	784502	BRAKE MANUAL OVERRIDE KIT -L	-	1

NEW MODEL

**701403** > BRAKE COMPLETE REPAIR KIT -R

RENAULT KERAX DXI II / KERAX EXI B / PREMIUM II TR / PREMIUM II PR / PREMIUM II DXI 7  
VOLVO F10 / F12 / F16 / F18 / F110 / F112  
VOLVO BUS B12



PART NO	GW NO	CONTENTS	DIMENSION	QTY.
1	702401	BRAKE ADJUSTER SHAFT -R	-	1
2	702501	BRAKE ADJUSTER SHAFT -L	-	1
3	703101	BRAKE CROSS SHAFT ASSEMBLY	-	1
4	710101	BRAKE COVER PLATE	-	1
5	761125	BRAKE COVER PLATE BOLT	-	4
6	762101	MECHANISM DUST BOOT RUBBER	-	2
7	763111	BRAKE CAMSHAFT BUSHING	∅ 43 x 38.4 x 26.4 mm	2
8	768121	BRAKE CAMSHAFT O-RING	-	1
9	770101	BRAKE COVER GASKET & SEAL SET	-	1
10	770110	BRAKE ADJUSTER SHAFT SEAL	∅ 47.6 x 37 x 5.7 mm	2
11	770111	BRAKE CAMSHAFT SEAL	∅ 75.8 x 34.3 x 7.5 mm	1
12	770112	BRAKE CAMSHAFT SEAL	∅ 52 x 38 x 7 mm	1
13	772101	BRAKE SHOE SPRING	-	1
14	773108	BRAKE CAMSHAFT SPACER WASHER	-	1
15	773109	BRAKE COVER PLATE BOLT WASHER	-	4
16	775101	BRAKE ABUTMENT PIN	-	2
17	775102	BRAKE ADJUSTER STRUT	-	2
18	784402	BRAKE MANUAL OVERRIDE KIT -R	-	1

NEW MODEL

**702501** > BRAKE ADJUSTER SHAFT -L



5T4014  
5T4023  
A164061  
68192565

**702401** > BRAKE ADJUSTER SHAFT -R



5T4011  
5T4024  
A164062  
68192566

**702502** > BRAKE MANUAL ADJUSTER (LONG) -L

OLD MODEL



5T1038  
1081819  
3090997  
7401 081 819  
1428741

**702402** > BRAKE MANUAL ADJUSTER (LONG) -R

OLD MODEL



5T1039  
1081820  
3090998  
7401 081 820  
1428758  
N2509996051

**702503** > BRAKE MANUAL ADJUSTER (SHORT) -L

NEW MODEL



6802045  
1606775  
5006 046 765

**702403** > BRAKE MANUAL ADJUSTER (SHORT) -R

NEW MODEL



6802046  
1607502  
5006 046 766

**703502** > BRAKE PINION (SHORT) -L

OLD MODEL



**703402** > BRAKE PINION (SHORT) -R

OLD MODEL



**703501** > BRAKE PINION (LONG) -L

NEW MODEL



A164052  
68191510

**703401** > BRAKE PINION (LONG) -R

NEW MODEL



A164055  
68191511

**784501** > BRAKE MANUAL OVERRIDE KIT -L

OLD MODEL



272906  
5021 203 714  
1322422  
N2509996031

**784401** > BRAKE MANUAL OVERRIDE KIT -R

OLD MODEL



SPB549  
272907  
1322439  
N2509996033

**755101** > BRAKE MANUAL OVERRIDE KIT

OLD MODEL



5T1033  
276096  
TP02006268  
1449350

PART NO	GW NO	CONTENTS	DIMENSION	QTY.
1	703102	MANUAL OVERRIDE STEM	-	1
2	768101	O-RING	-	1
3	768102	O-RING	-	1
4	775104	BRAKE ADJUSTER STEM	-	1

**784502** > BRAKE MANUAL OVERRIDE KIT -L

NEW MODEL



**784402** > BRAKE MANUAL OVERRIDE KIT -R

NEW MODEL



**755102** > BRAKE MANUAL OVERRIDE KIT

NEW MODEL



5T1035  
514022

**755103** > BRAKE MANUAL OVERRIDE KIT

NEW MODEL



5T1034  
276099  
2068777  
E604735  
85.50001.3424

**755501** > BRAKE ADJUSTER LOCK KIT - L



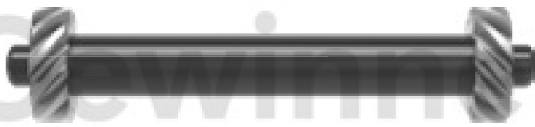
511036  
514021  
66191540

**755401** > BRAKE ADJUSTER LOCK KIT - R



511037  
514020  
66191541

**703101** > BRAKE CROSS SHAFT ASSEMBLY



5P8540  
5T4018  
68191219

**775102** > BRAKE ADJUSTER STRUT



137074  
64225252

**775101** > BRAKE ADJUSTMENT PIN



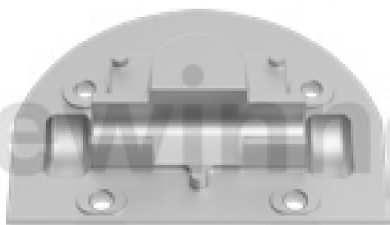
137075  
68192487  
68200150

**775103** > BRAKE ADJUSTER STEM



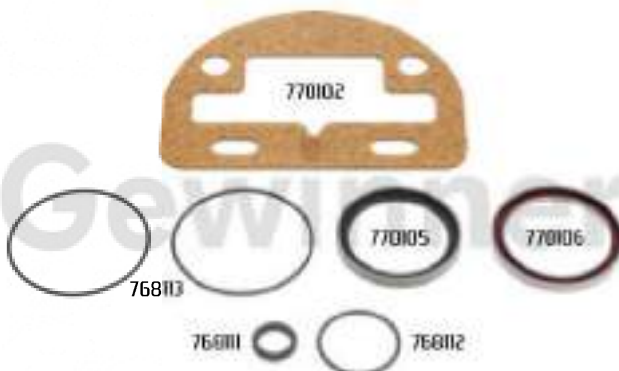
66191930

**710101** > BRAKE COVER PLATE



166062  
68191065

**770101** > BRAKE COVER GASKET & SEAL SET



511053  
514025

**770102** > BRAKE COVER GASKET



166063  
68191066

**772101** > BRAKE SHOE SPRING



167090  
68192115

**756101** > CAP SET



5P7984  
5T4019

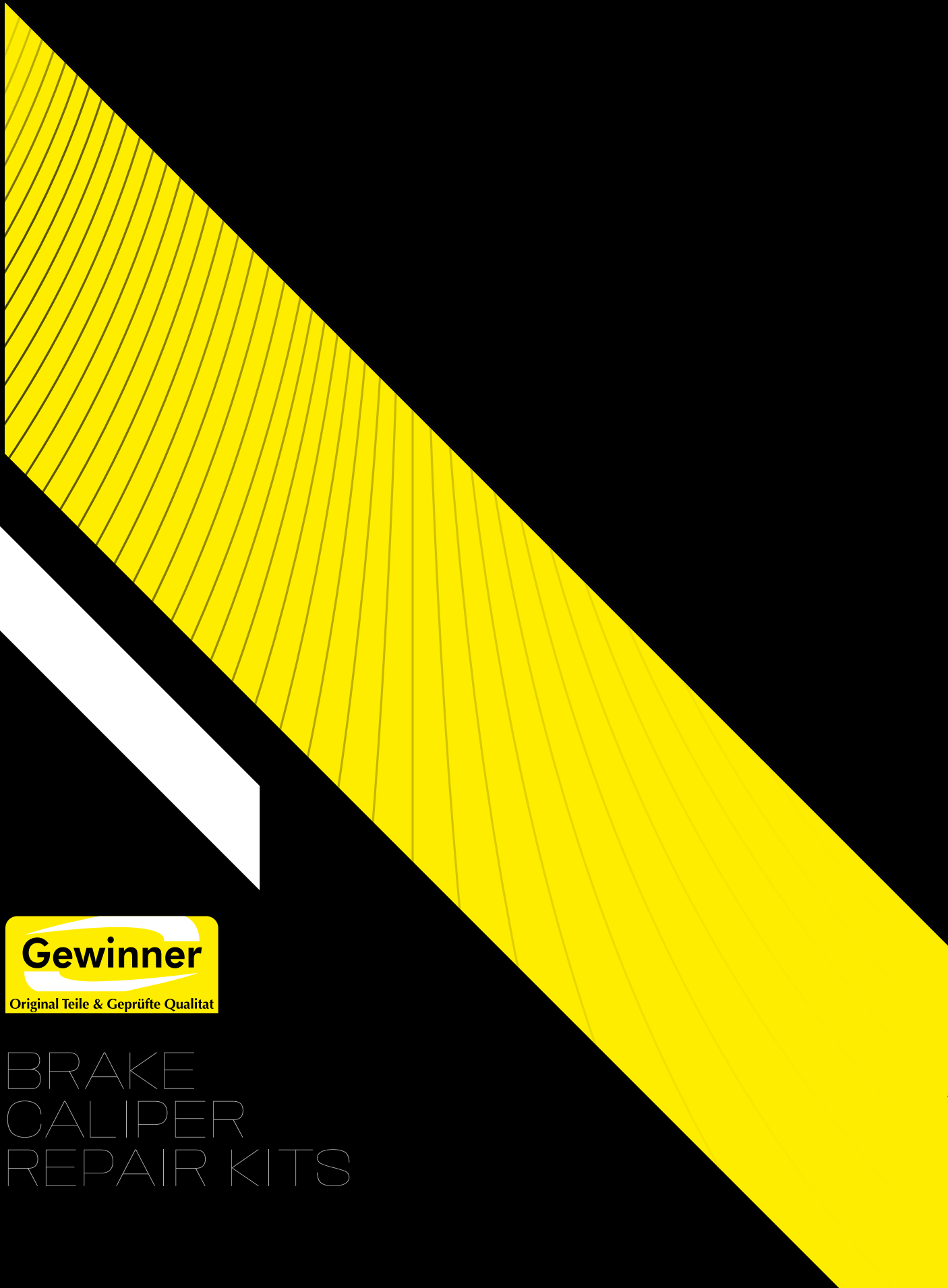
**710102** > BRAKE ADJUSTER  
SHAFT CAP SET



60192410

**762101** > MECHANISM DUST  
BOOT RUBBER





BRAKE  
CALIPER  
REPAIR KITS



*for*  
**WEDGE BRAKE**  
**MERITOR Ø 360 SIMPLEX**

**701119 > BRAKE ADJUSTER COMPLETE REPAIR KIT**

MAN L2000 / M2000 / F9 / G90 / M90  
MAN BUS SR / BUS NL



PART NO	GW NO	CONTENTS	DIMENSION	QTY.
1	706116	BRAKE WEDGE	-	1
2	715101	BRAKE ADJUSTER ASSY. SET	-	1
3	761123	BRAKE ADJUSTING GUIDE SCREW	-	2
4	767106	BRAKE ADJUSTER BRACKET	-	2
5	778124	BRAKE ANCHOR PLUNGER	-	2
6	781108	BRAKE WEDGE CIRCLIP	-	1

**701118 > BRAKE ADJUSTER REPAIR KIT**

MAN L2000 / M2000 / F9 / G90 / M90  
MAN BUS SR / BUS NL



PART NO	GW NO	CONTENTS	DIMENSION	QTY.
1	706116	BRAKE WEDGE	-	1
2	761123	BRAKE ADJUSTING GUIDE SCREW	-	2
3	762121	BRAKE ADJUSTER DIRT EXCLUDER	-	2
4	778124	BRAKE ANCHOR PLUNGER	-	2
5	781108	BRAKE WEDGE CIRCLIP	-	1

SP7971  
81.50455.0001  
5000 823 232

**706116** > BRAKE WEDGE



**715101** > BRAKE ADJUSTER ASSY. SET



SP9662  
81.50456.6002  
5000 823 233

**762122** > BRAKE ADJUSTER DIRT EXCLUDER SET



SP6588

**767107** > BRAKE ADJUSTER BRACKET SET





BRAKE  
CALIPER  
REPAIR KITS



*for*  
**WEDGE BRAKE**  
**MERITOR Ø 381 - 394 DUPLEX**

**701107 > BRAKE ADJUSTER REPAIR KIT**



PART NO	GW NO	CONTENTS	DIMENSION	QTY.
1	761104	BRAKE ADJUSTING BOLT	-	2
2	762105	BRAKE ADJUSTING PLUNGER SEAL	-	2
3	764101	BRAKE ADJUSTING GUIDE PAWL	-	2
4	772110	BRAKE SHOE RETURN SPRING	-	2
5	777106	BRAKE ADJUSTING ACTUATOR [FINE THREAD]	FINE THREAD	2
6	778105	BRAKE ADJUSTING PLUNGER	Ø 34.9 x 49 mm	2

RBSK0502B.M  
5021 203 245  
42491950  
192753  
FBU6782

**706108 > BRAKE ADJUSTER REPAIR KIT**



PART NO	GW NO	CONTENTS	DIMENSION	QTY.
1	764101	BRAKE ADJUSTING GUIDE PAWL	-	1
2	777106	BRAKE ADJUSTING ACTUATOR [FINE THREAD]	FINE THREAD	1
3	778105	BRAKE ADJUSTING PLUNGER	Ø 34.9 x 49 mm	1

RBSK0549B.M  
272857  
42491974  
192752  
634321204

**706502 > BRAKE ANCHOR PLUNGER SET - L**



RBSK0248B.M  
7980405  
A4023357  
192754

PART NO	GW NO	CONTENTS	DIMENSION	QTY.
1	762106	BRAKE ADJUSTING PLUNGER SEAL	-	2
2	764108	BRAKE ADJUSTING GUIDE SCREW	-	2
3	778103	BRAKE ANCHOR PLUNGER - L	Ø 34.9 mm	2

**706402 > BRAKE ANCHOR PLUNGER SET - R**



RBSK0249B.M  
7980406  
192755  
10610921

PART NO	GW NO	CONTENTS	DIMENSION	QTY.
1	762106	BRAKE ADJUSTING PLUNGER SEAL	-	2
2	764108	BRAKE ADJUSTING GUIDE SCREW	-	2
3	778102	BRAKE ANCHOR PLUNGER - R	Ø 34.9 mm	2

**778103 > BRAKE ANCHOR PLUNGER - L Ø 34.9 mm**



2297J4820  
7984217

**778102 > BRAKE ANCHOR PLUNGER - R Ø 34.9 mm**



2297K4821  
7984216

**706109** > BRAKE WEDGE SET



R05K02508.M  
7580407  
9016053  
A4022499  
192756  
0500290159

**706115** > BRAKE WEDGE



A2247147  
A2247000B

**706110** > BRAKE WEDGE



**778105** > BRAKE ADJUSTING PLUNGER  
Ø 34.9 x 49 mm



328018163  
42480060  
63432025

**777106** > BRAKE ADJUSTING ACTUATOR (FINE THREAD)



32805831  
42480058

**761102** > BRAKE ADJUSTING BOLT SET



761104

**761104** > BRAKE ADJUSTING BOLT



A164002  
A2297L3158

MERITOR Ø 381/394 DUPLEX

**764101** > BRAKE ADJUSTING GUIDE PAWL



A22297U4597  
42488735  
63432029

**764108** > BRAKE ADJUSTING GUIDE SCREW



A1779M195  
1695050  
42488739  
63432030

**772104** > BRAKE HOLD-DOWN CLIP



22570008  
2257M001

**750104** > BRAKE DUST BOOT SET

RB5K0251B.M  
7980408  
192757  
0501298164

**762105** > BRAKE ADJUSTING PLUNGER SEAL

1205B1666  
1205C2005

**762106** > BRAKE ADJUSTING PLUNGER SEAL

1205C1667  
1205B2004

**772110** > BRAKE SHOE RETURN SPRING Ø 3.5 MM

424B0056  
2258H580

**769106** > BRAKE COLLET NUT

4756032

**769101** > BRAKE COLLET NUT (SHORT)

4211047  
165017

**769102** > BRAKE COLLET NUT (LONG)

4206308  
165005

[www.gewinnerbrake.com](http://www.gewinnerbrake.com)

*for*  
**WEDGE BRAKE**  
**MERITOR Ø 410 DUPLEX**



BRAKE  
CALIPER  
REPAIR KITS

MERITOR Ø 410  
DUPLEX

**701104 > BRAKE ADJUSTER REPAIR KIT**



PART NO	GW NO	CONTENTS	DIMENSION	QTY.
1	761120	BRAKE ADJUSTING BOLT	-	4
2	762102	BRAKE ADJUSTING PLUNGER SEAL	-	4
3	764103	BRAKE ADJUSTING GUIDE PAWL	-	4
4	777103	BRAKE ADJUSTING ACTUATOR [COARSE THREAD]	COARSE THREAD	4
5	778101	BRAKE ADJUSTING PLUNGER	Ø 38.5 x 55.5 mm	4

**701108 > BRAKE ADJUSTER REPAIR KIT**



PART NO	GW NO	CONTENTS	DIMENSION	QTY.
1	761120	BRAKE ADJUSTING BOLT	-	4
2	762102	BRAKE ADJUSTING PLUNGER SEAL	-	4
3	764103	BRAKE ADJUSTING GUIDE PAWL	-	4
4	777103	BRAKE ADJUSTING ACTUATOR [COARSE THREAD]	COARSE THREAD	4

2906557

**701103 > BRAKE ADJUSTER REPAIR KIT**



PART NO	GW NO	CONTENTS	DIMENSION	QTY.
1	761120	BRAKE ADJUSTING BOLT	-	2
2	762102	BRAKE ADJUSTING PLUNGER SEAL	-	2
3	764103	BRAKE ADJUSTING GUIDE PAWL	-	2
4	772122	BRAKE SHOE RETURN SPRING	-	2
5	777103	BRAKE ADJUSTING ACTUATOR [COARSE THREAD]	COARSE THREAD	2
6	778101	BRAKE ADJUSTING PLUNGER	Ø 38.5 x 55.5 mm	2

4255952  
42562830

**701109 > BRAKE ADJUSTER REPAIR KIT**



PART NO	GW NO	CONTENTS	DIMENSION	QTY.
1	761120	BRAKE ADJUSTING BOLT	-	2
2	762102	BRAKE ADJUSTING PLUNGER SEAL	-	2
3	764103	BRAKE ADJUSTING GUIDE PAWL	-	2
4	772103	BRAKE SHOE RETURN SPRING	-	2
5	777103	BRAKE ADJUSTING ACTUATOR [COARSE THREAD]	COARSE THREAD	2
6	778101	BRAKE ADJUSTING PLUNGER	Ø 38.5 x 55.5 mm	2

42536907  
42558432

**706104** > BRAKE ADJUSTER REPAIR KIT



PART NO	GW NO	CONTENTS	DIMENSION	QTY.
1	764103	BRAKE ADJUSTING GUIDE PAWL	-	1
2	777103	BRAKE ADJUSTING ACTUATOR (COARSE THREAD)	COARSE THREAD	1
3	778101	BRAKE ADJUSTING PLUNGER	Ø 38.5 x 55.5 mm	1

42536105

**706501** > BRAKE ANCHOR PLUNGER SET - L



RBSK1600.M  
RBSK1607.M  
42537364  
42537366

PART NO	GW NO	CONTENTS	DIMENSION	QTY.
1	762103	BRAKE ANCHOR PLUNGER SEAL	-	2
2	764106	BRAKE ADJUSTING GUIDE SCREW	-	2
3	778109	BRAKE ADJUSTING PLUNGER - L	Ø 38.5	2

**706401** > BRAKE ANCHOR PLUNGER SET - R



RBSK1599.M  
RBSK1606.M  
42537363  
42537365

PART NO	GW NO	CONTENTS	DIMENSION	QTY.
1	762103	BRAKE ANCHOR PLUNGER SEAL	-	2
2	764106	BRAKE ADJUSTING GUIDE SCREW	-	2
3	778108	BRAKE ADJUSTING PLUNGER - R	Ø 38.5	2

**778109** > BRAKE ADJUSTING PLUNGER - L Ø 38.5



2297H8354  
6C462A170BA

**778108** > BRAKE ADJUSTING PLUNGER - R Ø 38.5



2297J8356  
6C462A170AA

**706112** > BRAKE WEDGE



A2247L1000  
6C462B024AA

**778101** > BRAKE ADJUSTING PLUNGER  
Ø 38.5 x 55.5 mm



3280W8369  
6C462A170CA

**777103** > BRAKE ADJUSTING ACTUATOR  
(COARSE THREAD)



3280T8964  
6C462B003AA

**761103** > BRAKE ADJUSTING BOLT



A229758287  
A22297E5907  
42531676  
42537758

**761120** > BRAKE ADJUSTING BOLT



**764103** > BRAKE ADJUSTING GUIDE PAWL



A1229758287  
6C462A105AB

**764106** > BRAKE ADJUSTING GUIDE SCREW



A3280K8435  
6C462D45AA

**750106** > BRAKE DUST BOOT SET



PART NO	GW NO	CONTENTS	DIMENSION	QTY.
1	762102	BRAKE ADJUSTING PLUNGER SEAL	-	4
2	762103	BRAKE ANCHOR PLUNGER SEAL	-	4

425378B4

**750105** > BRAKE DUST BOOT SET



R05K2030.M  
93161625

**750103** > BRAKE DUST BOOT SET



**762102** > BRAKE ADJUSTING PLUNGER SEAL



1205E2000  
6C4628009AA

**762103** > BRAKE ANCHOR PLUNGER SEAL



1205E2683  
425378A1  
6C4628009BA

**772123** > BRAKE SHOE RETURN SPRING SET



R06K1586.M  
42536112

**772103** > BRAKE SHOE RETURN SPRING Ø 4 MM



**772122** > BRAKE SHOE RETURN SPRING Ø 4.5 MM

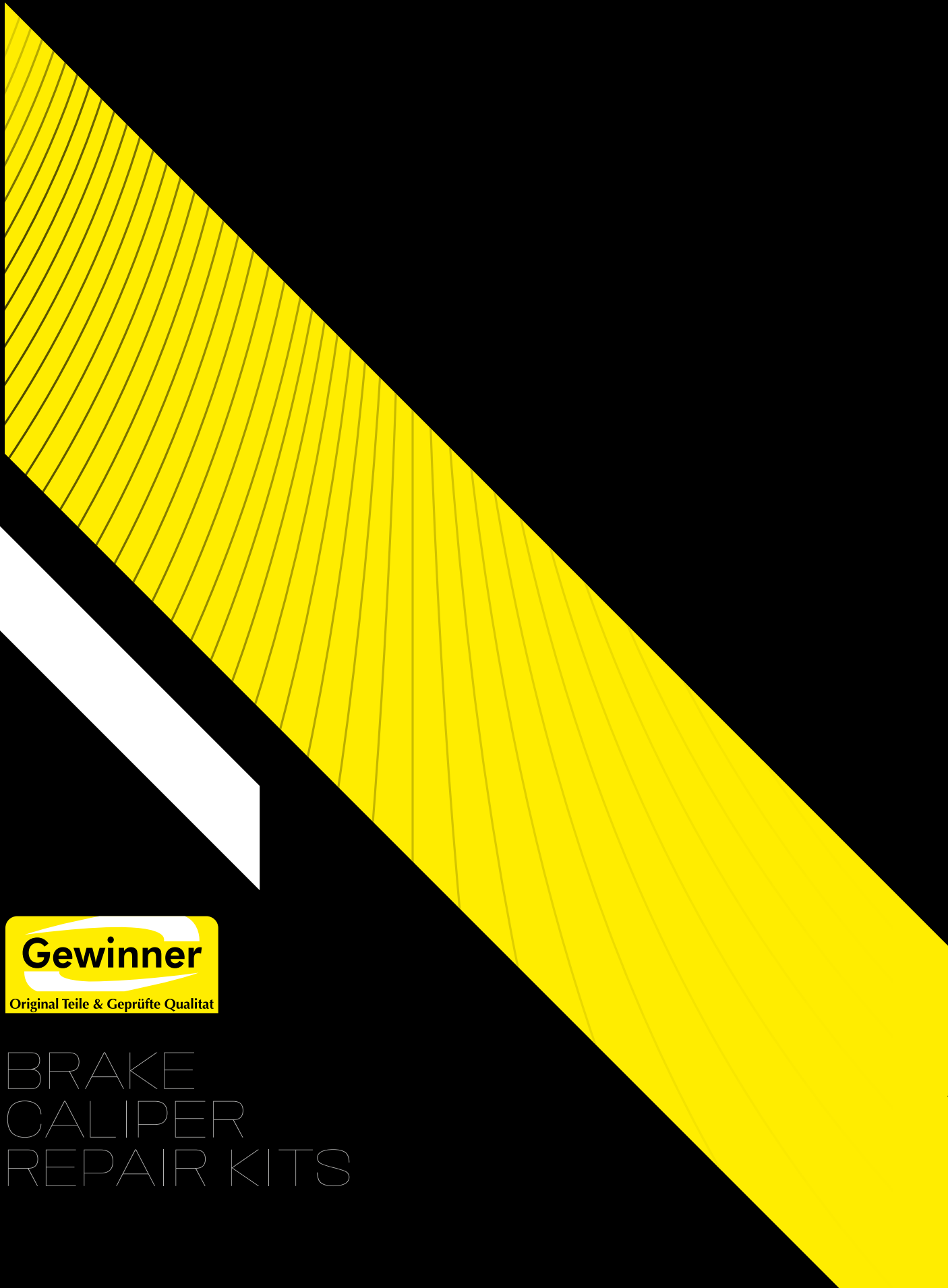


2258H1507  
6C4628371AA

**769103** > BRAKE COLLET NUT (LONG)



1227K037  
93163852



BRAKE  
CALIPER  
REPAIR KITS



*for*  
**WEDGE BRAKE**  
**MERITOR Ø 410 SIMPLEX**

**701101 > BRAKE ADJUSTER REPAIR KIT**



PART NO	GW NO	CONTENTS	DIMENSION	QTY.
1	76103	BRAKE ADJUSTING BOLT	-	2
2	76202	BRAKE ADJUSTING PLUNGER SEAL	-	2
3	76402	BRAKE ADJUSTING GUIDE PAWL	-	2
4	77203	BRAKE SHOE RETURN SPRING	-	1
5	772108	BRAKE SHOE RETURN SPRING	-	1
6	77702	BRAKE ADJUSTING ACTUATOR [FINE THREAD]	FINE THREAD	2
7	778101	BRAKE ADJUSTING PLUNGER	Ø 38.5 x 55.5 mm	2

RB5K1408.M  
42558430  
93161622  
9316214

**701102 > BRAKE ADJUSTER REPAIR KIT**



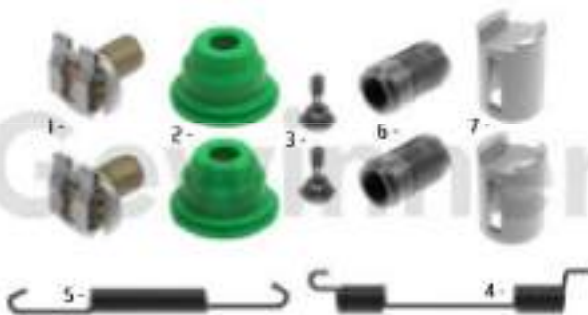
PART NO	GW NO	CONTENTS	DIMENSION	QTY.
1	76120	BRAKE ADJUSTING BOLT	-	4
2	76202	BRAKE ADJUSTING PLUNGER SEAL	-	4
3	76402	BRAKE ADJUSTING GUIDE PAWL	-	4
4	77702	BRAKE ADJUSTING ACTUATOR [FINE THREAD]	FINE THREAD	4
5	778101	BRAKE ADJUSTING PLUNGER	Ø 38.5 x 55.5 mm	4

**701110 > BRAKE ADJUSTER REPAIR KIT**



PART NO	GW NO	CONTENTS	DIMENSION	QTY.
1	76120	BRAKE ADJUSTING BOLT	-	4
2	76202	BRAKE ADJUSTING PLUNGER SEAL	-	4
3	76402	BRAKE ADJUSTING GUIDE PAWL	-	4
4	77702	BRAKE ADJUSTING ACTUATOR [FINE THREAD]	FINE THREAD	4

**701113 > BRAKE ADJUSTER REPAIR KIT**



PART NO	GW NO	CONTENTS	DIMENSION	QTY.
1	76122	BRAKE ADJUSTING BOLT	-	2
2	76202	BRAKE ADJUSTING PLUNGER SEAL	-	2
3	76403	BRAKE ADJUSTING GUIDE PAWL	-	2
4	772030	BRAKE SHOE RETURN SPRING	-	1
5	77215	BRAKE SHOE RETURN SPRING	-	1
6	777010	BRAKE ADJUSTING ACTUATOR [COARSE THREAD]	COARSE THREAD	2
7	778101	BRAKE ADJUSTING PLUNGER	Ø 38.5 x 48.2 mm	2

42538065

**706101** > BRAKE WEDGE SET



RBSK1255.M  
RBSK1573.M  
RBSK2051.M

A2247L1800

**706112** > BRAKE WEDGE



**706103** > BRAKE ADJUSTER REPAIR KIT



RBSK1407.M  
42558429  
93161623

3280W8369  
6C462A170CA

**778101** > BRAKE ADJUSTING PLUNGER  
Ø 38.5 x 55.5 mm



**777102** > BRAKE ADJUSTING ACTUATOR (FINE THREAD)



3290W836B

**764102** > BRAKE ADJUSTING GUIDE PAWL



A2207U4507

**761103** > BRAKE ADJUSTING BOLT



4253775B

**761120** > BRAKE ADJUSTING BOLT



**750105** > BRAKE DUST BOOT SET



752102

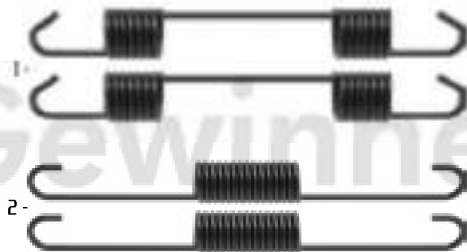
RBSK2030.M  
9316125

**762102** > BRAKE ADJUSTING PLINGER SEAL



1205X2000  
6C4628009AA

**772114** > BRAKE SHOE RETURN SPRING SET



RBSK2128.M  
93161627  
93162113

PART NO	GW NO	CONTENTS	DIMENSION	QTY.
1	772103	BRAKE SHOE RETURN SPRING	-	2
2	772108	BRAKE SHOE RETURN SPRING	-	2

**772103** > BRAKE SHOE RETURN SPRING



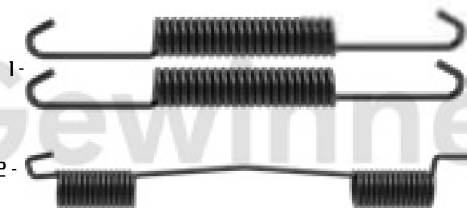
2258F306

**772108** > BRAKE SHOE RETURN SPRING



2258D1122

**772102** > BRAKE SHOE RETURN SPRING SET



PART NO	GW NO	CONTENTS	DIMENSION	QTY.
1	772115	BRAKE SHOE RETURN SPRING	-	2
2	772121	BRAKE SHOE RETURN SPRING	-	1

**772115** > BRAKE SHOE RETURN SPRING



**772121** > BRAKE SHOE RETURN SPRING



**776503** > BRAKE ANCHOR PLUNGER KIT - L



R05K14B1M  
9316863

**776403** > BRAKE ANCHOR PLUNGER KIT - R



R05K14B2M  
9316864

**776501** > BRAKE ANCHOR PLUNGER - L 5°



1250105

**776401** > BRAKE ANCHOR PLUNGER - R 5°



1250204

**776502** > BRAKE ANCHOR PLUNGER - L 15°



**776402** > BRAKE ANCHOR PLUNGER - R 15°



**765102** > BRAKE HOLD-DOWN CLIP



22578004

**769102** > BRAKE COLLET NUT (LONG)



93163852



BRAKE  
CALIPER  
REPAIR KITS



*for*  
**WEDGE BRAKE**  
**WABCO PERROT Ø 360 SIMPLEX**

**701112 > BRAKE ADJUSTER COMPLETE REPAIR KIT**



PART NO	GW NO	CONTENTS	DIMENSION	QTY.
1	701105	BRAKE ADJUSTER REPAIR KIT	-	1
2	702101	BRAKE WEDGE	-	1
3	772109	BRAKE SHOE RETURN SPRING	-	1
4	77215	BRAKE SHOE RETURN SPRING	-	1

**701105 > BRAKE ADJUSTER REPAIR KIT**



PART NO	GW NO	CONTENTS	DIMENSION	QTY.
1	761101	BRAKE ADJUSTING BOLT	-	2
2	762104	BRAKE ADJUSTING PLUNGER SEAL	-	2
3	764107	BRAKE ADJUSTING GUIDE PAWL	-	2
4	773101	BRAKE ADJUSTING WASHER	-	2
5	777104	BRAKE ADJUSTING ACTUATOR -UPPER	Ø 36 x 21.5 mm	2
6	777105	BRAKE ADJUSTING ACTUATOR -LOWER	Ø 32 x 18.3 mm	2
7	778104	BRAKE ADJUSTING PLUNGER	Ø 41.5 x 49 mm	2
8	781101	BRAKE ADJUSTING RING	-	2

**701116 > BRAKE EXPANDER UNIT**



12 739 075VT  
93163525  
006 548 1213  
N1011014929  
11014929  
80131910

**706102 > BRAKE WEDGE & PISTON SET**



12 999 402VT  
93161267  
1518475  
FBU9123

**706105** > BRAKE ADJUSTER REPAIR KIT



12 999 403VT  
93161268  
HBU2663  
1518476

PART NO	GW NO	CONTENTS	DIMENSION	QTY.
1	764107	BRAKE ADJUSTING GUIDE PAWL	-	2
2	777104	BRAKE ADJUSTING ACTUATOR -UPPER	Ø 36 x 21.5 mm	2
3	777105	BRAKE ADJUSTING ACTUATOR -LOWER	Ø 32 x 18.3 mm	2

**706114** > BRAKE ADJUSTER REPAIR KIT



12 999 135VT  
8124815  
N101103158  
70159002  
1103158

PART NO	GW NO	CONTENTS	DIMENSION	QTY.
1	764107	BRAKE ADJUSTING GUIDE PAWL	-	2
2	777108	BRAKE ADJUSTING ACTUATOR -UPPER	Ø 36 x 18.5 mm	2
3	777105	BRAKE ADJUSTING ACTUATOR -LOWER	Ø 32 x 18.3 mm	2

**750101** > BRAKE ADJUSTER REPAIR KIT



12 999 418VT  
93161254  
116251

PART NO	GW NO	CONTENTS	DIMENSION	QTY.
1	762101	BRAKE ADJUSTING BOLT	-	2
2	762104	BRAKE ADJUSTING PLUNGER SEAL	-	2
3	773101	BRAKE ADJUSTING WASHER	-	2
4	781101	BRAKE ADJUSTING RING	-	2

**702101** > BRAKE WEDGE

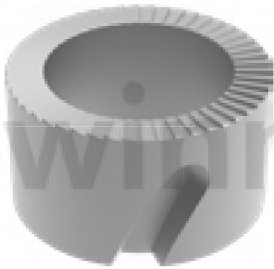


**702105** > BRAKE ADJUSTER REPAIR KIT



**762104** > BRAKE ADJUSTING PLUNGER SEAL



**777104** >> BRAKE ADJUSTING ACTUATOR -UPPER  
Ø 36 x 21.5 mm**777108** >> BRAKE ADJUSTING ACTUATOR -UPPER  
Ø 36 x 18.5 mm**777105** >> BRAKE ADJUSTING ACTUATOR -LOWER  
Ø 32 x 18.3 mm**764107** >> BRAKE ADJUSTING GUIDE PAWL**778104** >> BRAKE ADJUSTING PLUNGER  
Ø 41.5 x 49 mm**761101** >> BRAKE ADJUSTING BOLT

**772111** > BRAKE SHOE RETURN SPRING KIT



12 999 443VT  
93161260  
109252

**772121** > BRAKE SHOE RETURN SPRING



13 301 212  
8121307  
FBU7687

**772113** > BRAKE HOLD-DOWN CLIP



13 304 029  
8121441  
20000217501  
FBU9116

**772115** > BRAKE SHOE RETURN SPRING



13 301 191  
8121308  
FBU1069  
81.97610.0190  
N101013014



BRAKE  
CALIPER  
REPAIR KITS



*for*  
**WEDGE BRAKE**  
**WABCO PERROT Ø 410 SIMPLEX**

**701111 > BRAKE ADJUSTER COMPLETE REPAIR KIT**



PART NO.	GW NO.	CONTENTS	DIMENSION	QTY.
1	701106	BRAKE ADJUSTER REPAIR KIT	-	1
2	706107	BRAKE WEDGE	-	1
3	77215	BRAKE SHOE RETURN SPRING	-	1
4	77213	BRAKE SHOE RETURN SPRING	-	1

**701106 > BRAKE ADJUSTER REPAIR KIT**



PART NO.	GW NO.	CONTENTS	DIMENSION	QTY.
1	761101	BRAKE ADJUSTING BOLT	-	2
2	762104	BRAKE ADJUSTING PLUNGER SEAL	-	2
3	764107	BRAKE ADJUSTING GUIDE PAWL	-	2
4	773101	BRAKE ADJUSTING WASHER	-	2
5	777105	BRAKE ADJUSTING ACTUATOR -LOWER	Ø 32 x 18.3 mm	2
6	777107	BRAKE ADJUSTING ACTUATOR -UPPER	Ø 38 x 21.5 mm	2
7	778106	BRAKE ADJUSTING PLUNGER	Ø 43.9 x 61 mm	2
8	781101	BRAKE ADJUSTING RING	-	2

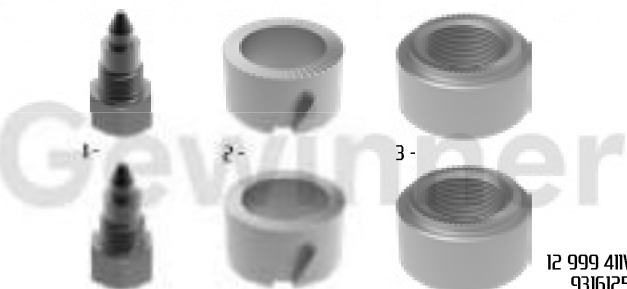
**706106 > BRAKE WEDGE & PISTON SET**



PART NO.	GW NO.	CONTENTS	DIMENSION	QTY.
1	706107	BRAKE WEDGE	-	1
2	778106	BRAKE ADJUSTING PLUNGER	Ø 43.9 x 61 mm	2

12 999 410VT  
93161255  
93161768  
118689

**706113 > BRAKE ADJUSTER REPAIR KIT**



PART NO.	GW NO.	CONTENTS	DIMENSION	QTY.
1	764107	BRAKE ADJUSTING GUIDE PAWL	-	2
2	777105	BRAKE ADJUSTING ACTUATOR -LOWER	Ø 32 x 18.3 mm	2
3	777107	BRAKE ADJUSTING ACTUATOR -UPPER	Ø 38 x 21.5 mm	2

12 999 411VT  
93161256  
116262  
1505884  
342342

**750102** > BRAKE ADJUSTER REPAIR KIT



12 999 404VT  
93161257  
116263

**762104** > BRAKE ADJUSTING PLUNGER SEAL



**706107** > BRAKE WEDGE



**702104** > BRAKE ADJUSTER REPAIR KIT



**777107** > BRAKE ADJUSTING ACTUATOR -UPPER  
Ø 38 x 21.5 mm



**777105** > BRAKE ADJUSTING ACTUATOR -LOWER  
Ø 32 x 18.3 mm



**778106** > BRAKE ADJUSTING PLUNGER  
Ø 43.9 x 61 mm



**761101** > BRAKE ADJUSTING BOLT



**772112 > BRAKE SHOE RETURN SPRING KIT**



12 999 573VT  
93161872  
036900

PART NO	GW NO	CONTENTS	DIMENSION	QTY.
1	77203	BRAKE HOLD-DOWN CLIP	-	4
2	77205	BRAKE SHOE RETURN SPRING	-	2
3	77209	BRAKE SHOE RETURN SPRING	-	2

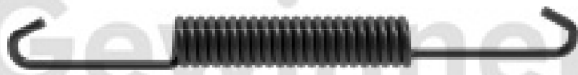
**772116 > BRAKE SHOE RETURN SPRING KIT**



42538063

PART NO	GW NO	CONTENTS	DIMENSION	QTY.
1	77215	BRAKE SHOE RETURN SPRING	-	2
2	77219	BRAKE SHOE RETURN SPRING	-	2

**772115 > BRAKE SHOE RETURN SPRING**



13 301 191  
8121308  
FBU1069  
81.97610.0190  
N101013014

**772121 > BRAKE SHOE RETURN SPRING**



13 301 212  
8121307  
FBU7687

**772113 > BRAKE HOLD-DOWN CLIP**



13 304 029  
8121441  
20000217501  
FBU9116

**764107 > BRAKE ADJUSTING GUIDE PAWL**



[www.gewinnerbrake.com](http://www.gewinnerbrake.com)

*for*  
**WEDGE BRAKE**  
**RENAULT WEDGE BRAKE**



BRAKE  
CALIPER  
REPAIR KITS

RENAULT WEDGE  
BRAKE

**701120** > BRAKE ADJUSTER COMPLETE REPAIR KIT

RENAULT MIDLINER  
RENAULT MIDLUM



PKT NO	GW NO	CONTENTS	DIMENSION	QTY.
1	701102	BRAKE ADJUSTER ASSY. SET	-	1
2	701607	BRAKE WEDGE	-	1
3	700019	BRAKE WEDGE CIRCLIP	-	1

**715102** > BRAKE ADJUSTER ASSY. SET

RENAULT MIDLINER  
RENAULT MIDLUM



PKT NO	GW NO	CONTENTS	DIMENSION	QTY.
1	702007	BRAKE ADJUSTER ASSEMBLIES	-	2

**701117** > BRAKE EXPANDER UNIT

RENAULT MIDLINER  
RENAULT MIDLUM



5000 815 484

**706117** > BRAKE WEDGE

RENAULT MIDLINER  
RENAULT MIDLUM



[www.gewinnerbrake.com](http://www.gewinnerbrake.com)



BRAKE  
CALIPER  
REPAIR KITS



BRAKE  
CALIPER  
REPAIR KITS



# **CONNECTOR CABLES**

**030101** > SENSOR CONNECTION CABLE



LENGTH  
40 cm

OEM  
449 753 004 0

**030102** > SENSOR CONNECTION CABLE



LENGTH  
70 cm

OEM  
449 753 007 0

**030103** > SENSOR CONNECTION CABLE



LENGTH  
60 cm

OEM  
449 753 003 0

**030104** > SENSOR CONNECTION CABLE



LENGTH  
150 cm

OEM  
449 753 005 0

**030105** > SENSOR CONNECTION CABLE



LENGTH  
170 cm

OEM  
449 753 002 0

**030106** > SENSOR CONNECTION CABLE



LENGTH  
200 cm

OEM  
449 753 020 0

**030107** > SENSOR CONNECTION CABLE



LENGTH  
220 cm

OEM  
449 753 022 0

**030108** > SENSOR CONNECTION CABLE



LENGTH  
230 cm

OEM  
449 753 021 0

**030109** > SENSOR CONNECTION CABLE


LENGTH	OEM
250 cm	449 753 025 0

**030110** > SENSOR CONNECTION CABLE


LENGTH	OEM
350 cm	449 753 035 0

**030111** > SENSOR CONNECTION CABLE


LENGTH	OEM
500 cm	449 753 050 0

**030112** > SENSOR CONNECTION CABLE


LENGTH	OEM
550 cm	449 753 055 0

**030113** > SENSOR CONNECTION CABLE


LENGTH	OEM
800 cm	449 753 080 0

**030114** > SENSOR CONNECTION CABLE


LENGTH	OEM
1000 cm	449 753 100 0

**030115** > SENSOR CONNECTION CABLE


LENGTH	OEM
1200 cm	449 753 120 0

**030116** > SENSOR CONNECTION CABLE


LENGTH	OEM
2000 cm	449 753 200 0

**030120** > SENSOR CONNECTION CABLE



PLUG TYPE 1 (3 PIN)



LENGTH

40 cm

OEM

449 756 004 0

**030121** > SENSOR CONNECTION CABLE



PLUG TYPE 1 (3 PIN)



LENGTH

70 cm

OEM

449 756 007 0

**030122** > SENSOR CONNECTION CABLE



PLUG TYPE 1 (3 PIN)



LENGTH

100 cm

OEM

449 756 013 0

**030123** > SENSOR CONNECTION CABLE



PLUG TYPE 1 (3 PIN)



LENGTH

150 cm

OEM

449 756 015 0

**030124** > SENSOR CONNECTION CABLE



PLUG TYPE 1 (3 PIN)



LENGTH

170 cm

OEM

449 756 017 0

**030125** > SENSOR CONNECTION CABLE



PLUG TYPE 1 (3 PIN)



LENGTH

200 cm

OEM

449 756 020 0

## 030126 &gt; SENSOR CONNECTION CABLE



PLUG TYPE I (3 PIN)



LENGTH

220 cm

OEM

449 756 022 0

## 030127 &gt; SENSOR CONNECTION CABLE



PLUG TYPE I (3 PIN)



LENGTH

230 cm

OEM

449 756 023 0

## 030128 &gt; SENSOR CONNECTION CABLE



PLUG TYPE I (3 PIN)



LENGTH

350 cm

OEM

449 756 025 0

## 030129 &gt; SENSOR CONNECTION CABLE



PLUG TYPE I (3 PIN)



LENGTH

500 cm

OEM

449 756 050 0

## 030130 &gt; SENSOR CONNECTION CABLE



PLUG TYPE I (3 PIN)



LENGTH

800 cm

OEM

449 756 000 0

## 030131 &gt; SENSOR CONNECTION CABLE



PLUG TYPE I (3 PIN)



LENGTH

1000 cm

OEM

449 756 000 0

## 030132 &gt; SENSOR CONNECTION CABLE



PLUG TYPE I (3 PIN)



LENGTH

1200 cm

OEM

449 756 020 0

**030140** > SENSOR CONNECTION CABLE



PLUG TYPE 5 ORANGE



LENGTH

40 cm

**030141** > SENSOR CONNECTION CABLE



PLUG TYPE 5 ORANGE



LENGTH

70 cm

**030142** > SENSOR CONNECTION CABLE



PLUG TYPE 5 ORANGE



LENGTH

100 cm

**030143** > SENSOR CONNECTION CABLE



PLUG TYPE 5 ORANGE



LENGTH

150 cm

**030144** > SENSOR CONNECTION CABLE



PLUG TYPE 5 ORANGE



LENGTH

170 cm

**030145** > SENSOR CONNECTION CABLE



PLUG TYPE 5 ORANGE



LENGTH

200 cm

**030146** > SENSOR CONNECTION CABLE



PLUG TYPE 5 ORANGE



LENGTH  
220 cm

**030147** > SENSOR CONNECTION CABLE



PLUG TYPE 5 ORANGE



LENGTH  
230 cm

**030148** > SENSOR CONNECTION CABLE



PLUG TYPE 5 ORANGE



LENGTH  
350 cm

**030149** > SENSOR CONNECTION CABLE



PLUG TYPE 5 ORANGE



LENGTH  
500 cm

**030150** > SENSOR CONNECTION CABLE



PLUG TYPE 5 ORANGE



LENGTH  
600 cm

**030151** > SENSOR CONNECTION CABLE



PLUG TYPE 5 ORANGE



LENGTH  
1000 cm

**030152** > SENSOR CONNECTION CABLE



PLUG TYPE 5 ORANGE



LENGTH  
1200 cm

**030160** > SENSOR CONNECTION CABLE

PLUG TYPE 6 ORANGE



LENGTH

40 cm

**030161** > SENSOR CONNECTION CABLE

PLUG TYPE 6 ORANGE



LENGTH

70 cm

**030162** > SENSOR CONNECTION CABLE

PLUG TYPE 6 ORANGE



LENGTH

100 cm

**030163** > SENSOR CONNECTION CABLE

PLUG TYPE 6 ORANGE



LENGTH

150 cm

**030164** > SENSOR CONNECTION CABLE

PLUG TYPE 6 ORANGE



LENGTH

170 cm

**030165** > SENSOR CONNECTION CABLE

PLUG TYPE 6 ORANGE



LENGTH

200 cm

**030166** > SENSOR CONNECTION CABLE



PLUG TYPE 6 ORANGE



LENGTH  
220 cm

**030167** > SENSOR CONNECTION CABLE



PLUG TYPE 6 ORANGE



LENGTH  
230 cm

**030168** > SENSOR CONNECTION CABLE



PLUG TYPE 6 ORANGE



LENGTH  
350 cm

**030169** > SENSOR CONNECTION CABLE



PLUG TYPE 6 ORANGE



LENGTH  
500 cm

**030170** > SENSOR CONNECTION CABLE



PLUG TYPE 6 ORANGE



LENGTH  
600 cm

**030171** > SENSOR CONNECTION CABLE



PLUG TYPE 6 ORANGE



LENGTH  
1000 cm

**030172** > SENSOR CONNECTION CABLE



PLUG TYPE 6 ORANGE



LENGTH  
1200 cm

**030180** > SENSOR CONNECTION CABLE



LENGTH	OEM
110 cm	8524331 8525357

**030181** > SENSOR CONNECTION CABLE



LENGTH	OEM
90 cm	T294576

**030182** > SENSOR CONNECTION CABLE



LENGTH
120 cm

**030183** > SENSOR CONNECTION CABLE



PLUG TYPE H1



LENGTH
120 cm

**030184** > SENSOR CONNECTION CABLE



LENGTH	OEM
110 cm	A 3755400536 A 0025401336 A 0015405336 A 3755400636

**030185** > SENSOR CONNECTION CABLE



LENGTH	OEM
70 cm	A 3755400536 A 0015405236

030186 &gt; SENSOR CONNECTION CABLE



LENGTH	OEM
110 cm	A 375400736 A 002540536

030187 &gt; SENSOR CONNECTION CABLE



LENGTH	OEM
130 cm	A 0025400736

030188 &gt; SENSOR CONNECTION CABLE



LENGTH	OEM
155 cm	A 00F5405036 A 00F5409536

030189 &gt; SENSOR CONNECTION CABLE



LENGTH	OEM
200 cm	81 25460 5535

030190 &gt; SENSOR CONNECTION CABLE



LENGTH	OEM
200 cm	81 25460 5536

030191 &gt; SENSOR CONNECTION CABLE



LENGTH	OEM
200 cm	

030192 &gt; SENSOR CONNECTION CABLE



LENGTH	OEM
200 cm	

**320101** > WEAR INDICATOR



68327662X

**320102** > CONTINUOUS WEAR SENSOR



PLUG TYPE 1



ELSA 2 AXIAL (LRG 547 / LRG 548) / D LISA (LRG 638 / LRG 639)

LENGTH	VEHICLE	OEM
30 cm	MAN TGA	MCK147 CMSK443

**320103** > CONTINUOUS WEAR SENSOR



PLUG TYPE 1



LENGTH	VEHICLE	OEM
100 cm	VOLVO FH / FM	68326728 20928532

**320104** > CONTINUOUS WEAR SENSOR



PLUG TYPE 1



LENGTH	VEHICLE	OEM
150 cm	VOLVO FH / FM	68326729 20928533

**320105** > CONTINUOUS WEAR SENSOR



PLUG TYPE 1



LENGTH	VEHICLE	OEM
150 cm	SOLARIS BUS	68326665

**320110** > CONTINUOUS WEAR SENSOR

PLUG TYPE 2



LENGTH	VEHICLE	OEM
95 cm	VOLVO FH EURO 6 RENAULT C / K / T SERIES	68326687 (NEW NO) 68326542 (OLD NO) 21296863 7421296863

**320111** > CONTINUOUS WEAR SENSOR

PLUG TYPE 2



LENGTH	VEHICLE	OEM
160 cm	RENAULT C / K / T SERIES	68326692 (NEW NO) 68326550 (OLD NO) 21296869 742129655

**320112** > CONTINUOUS WEAR SENSOR

PLUG TYPE 2



LENGTH	VEHICLE	OEM
175 cm	VOLVO FH4 / FM	68326689 (NEW NO) 68326541 (OLD NO) 21296864

**320113** > CONTINUOUS WEAR SENSOR

PLUG TYPE 2



LENGTH	VEHICLE	OEM
185 cm	VOLVO FH4 / FM RENAULT C / T / T HIGH SERIES	68326674 (NEW NO) 68326548 (OLD NO) 21296857 21296870 7421296870

**320114** > CONTINUOUS WEAR SENSOR

PLUG TYPE 2



LENGTH	VEHICLE	OEM
105 cm	VOLVO FH4 / FM RENAULT C / K / T SERIES	68326689 (NEW NO) 6832654 (OLD NO) 21296865 7421296865

**320115** > CONTINUOUS WEAR SENSOR

PLUG TYPE 2



LENGTH	VEHICLE	OEM
220 cm	VOLVO FH4 / FM4 RENAULT C / K / T / T HIGH SERIES	68326698 (NEW NO) 68326523 (OLD NO) 21296874 7421296874

**320116** > CONTINUOUS WEAR SENSOR

PLUG TYPE 2



LENGTH	VEHICLE	OEM
255 cm	VOLVO FH4 / FM4 RENAULT C / K / T / T HIGH SERIES	68327007 (NEW NO) 68326913 (OLD NO) 21665043

**320175 > CONTINUOUS WEAR SENSOR**



PLUG TYPE 14



LENGTH	VEHICLE	OEM
130 cm	VOLVO FH4 / FM4	-

**320176 > CONTINUOUS WEAR SENSOR**



PLUG TYPE 14



LENGTH	VEHICLE	OEM
135 cm	VOLVO FH4 / FM4 RENAULT C / K / T / T HIGH SERIES	-

**320120 > CONTINUOUS WEAR SENSOR**



PLUG TYPE 3



LENGTH	VEHICLE	OEM
130 cm	VOLVO FH4 / FM4	68327005 (NEW NO) 68326911 (OLD NO) 21296875 2140277

**320121 > CONTINUOUS WEAR SENSOR**



PLUG TYPE 3



LENGTH	VEHICLE	OEM
135 cm	VOLVO FH4 / FM4 RENAULT C / T / T HIGH SERIES	68326913 (NEW NO) 68326548 (OLD NO) 21296875 242696869

**320122 > CONTINUOUS WEAR SENSOR**



PLUG TYPE 3



LENGTH	VEHICLE	OEM
240 cm	VOLVO FH4 / FM4 RENAULT C / K / T / T HIGH SERIES	68326959 (NEW NO) 68326524 (OLD NO) 21296875 242696875

**320123 > CONTINUOUS WEAR SENSOR**



PLUG TYPE 3



LENGTH	VEHICLE	OEM
285 cm	VOLVO FH4 / FM4 RENAULT C / K SERIES	68327006 (NEW NO) 68326912 (OLD NO) 21665042

**320125 > CONTINUOUS WEAR SENSOR**



PLUG TYPE 4



**ELSA 2 AXIAL / RADIAL / ELSA 195 / 225**

LENGTH	VEHICLE	OEM
300 cm	RENAULT PREMIUM / MAGNUM	68326713 5001856033

**320130** > CONTINUOUS WEAR SENSOR

PLUG TYPE 5



ELSA 2 AXIAL / RADIAL / ELSA 195 / 225

LENGTH	VEHICLE	OEM
40 cm	RENAULT PREMIUM / MAGNUM	6832674 500856034

**320131** > CONTINUOUS WEAR SENSOR

PLUG TYPE 5



LENGTH	VEHICLE	OEM
75 cm	-	6832652 2340274

**320132** > CONTINUOUS WEAR SENSOR

PLUG TYPE 5



LENGTH	VEHICLE	OEM
87 cm	-	6832673 218655

**320133** > CONTINUOUS WEAR SENSOR

PLUG TYPE 5



ELSA 2 AXIAL / RADIAL / ELSA 195 / 225

LENGTH	VEHICLE	OEM
100 cm	VOLVO FE RENAULT PREMIUM / PREMIUM 2 / D WIDE / L SERIES	6832645 20928559 2340272 7620928552

**320134** > CONTINUOUS WEAR SENSOR

PLUG TYPE 5



LENGTH	VEHICLE	OEM
162 cm	VOLVO FE RENAULT PREMIUM / PREMIUM 2 SERIES / MAGNUM 2 / D WIDE SERIES	6832670 20928550 2340268

**320135** > CONTINUOUS WEAR SENSOR

PLUG TYPE 5



LENGTH	VEHICLE	OEM
100 cm	RENAULT MAGNUM	6832677 500856029

**320136** > CONTINUOUS WEAR SENSOR

PLUG TYPE 5



ELSA 2 AXIAL / RADIAL / ELSA 195 / 225

LENGTH	VEHICLE	OEM
200 cm	RENAULT PREMIUM	6832675 500856031

**320137** > CONTINUOUS WEAR SENSOR

PLUG TYPE 5



ELSA 2 AXIAL / RADIAL / ELSA 195 / 225

LENGTH	VEHICLE	OEM
360 cm	VOLVO FE RENAULT PREMIUM / PREMIUM 2 / C / D WIDE SERIES	6832645 20928559 2340272 7620928552

**320138** > CONTINUOUS WEAR SENSOR

PLUG TYPE 5



LENGTH	VEHICLE	OEM
520 cm	VOLVO FE RENAULT PREMIUM	6832674 20928561 23740274

**320140 > CONTINUOUS WEAR SENSOR**

PLUG TYPE 6



ELSA 2 AXIAL / RADIAL / ELSA 195 / 225

LENGTH	VEHICLE	OEM
130 cm	VOLVO FE / FL RENAULT PREMIUM / PREMIUM 2 / MAGNUM 2 / MEDIUM / C / D WIDE / D NARROW SERIES	68326783 20928553 23480270 3420928553

**320141 > CONTINUOUS WEAR SENSOR**

PLUG TYPE 6



LENGTH	VEHICLE	OEM
162 cm	VOLVO FE RENAULT PREMIUM	68326783 20928565 23480275

**320142 > CONTINUOUS WEAR SENSOR**

PLUG TYPE 6



LENGTH	VEHICLE	OEM
160 cm		68326789 20928566

**320143 > CONTINUOUS WEAR SENSOR**

PLUG TYPE 6



LENGTH	VEHICLE	OEM
130 cm		68326722 68326740 20928558 342092854

**320144 > CONTINUOUS WEAR SENSOR**

PLUG TYPE 6



LENGTH	VEHICLE	OEM
360 cm	VOLVO FE RENAULT PREMIUM	68326744 68326728 20928562 23480271 342092852 342348027

**320145 > CONTINUOUS WEAR SENSOR**

PLUG TYPE 6



LENGTH	VEHICLE	OEM
520 cm	VOLVO FE RENAULT PREMIUM / PREMIUM 2 / C / D WIDE SERIES	68326746 20928560 23480273 342092855 342092856 342348027

**320146 > CONTINUOUS WEAR SENSOR**

PLUG TYPE 6



LENGTH	VEHICLE	OEM
160 cm	RENAULT MAGNUM	68326781 500856030

**320147 > CONTINUOUS WEAR SENSOR**

PLUG TYPE 6



LENGTH	VEHICLE	OEM
230 cm	RENAULT PREMIUM	68326786 500856032

**320150** > CONTINUOUS WEAR SENSOR



PLUG TYPE 7



ELSA 2 AXIAL / RADIAL / ELSA 195 / 225

LENGTH	VEHICLE	DEM
05 cm	MAN TGA	68326720 8259376039 8259376015

**320151** > CONTINUOUS WEAR SENSOR



PLUG TYPE 7



ELSA 2 AXIAL / RADIAL / ELSA 195 / 225

LENGTH	VEHICLE	DEM
05 cm	MAN TGA MAN NEOPLAN / LION'S SERIES	68326722 8259376040 8259376007 8259376000

**320152** > CONTINUOUS WEAR SENSOR



PLUG TYPE 7



LENGTH	VEHICLE	DEM
25 cm	MAN TGA MAN NEOPLAN / LION'S SERIES	68326721 8259376040 8259376019 8259376001

**320153** > CONTINUOUS WEAR SENSOR



PLUG TYPE 7



LENGTH	VEHICLE	DEM
25 cm	MAN NEOPLAN / LION'S SERIES	68326719 8259376038 8259376003

**320154** > CONTINUOUS WEAR SENSOR



PLUG TYPE 8



LENGTH	VEHICLE	DEM
05 cm	MAN TGA MAN NEOPLAN / LION'S SERIES	68326723 8259376042 8259376023

**320155** > CONTINUOUS WEAR SENSOR



PLUG TYPE 9



LENGTH	VEHICLE	DEM
05 cm	MAN TGA MAN NEOPLAN / LION'S SERIES	68326724 8259376043 8259376026

**320156** > CONTINUOUS WEAR SENSOR

PLUG TYPE 10



ELSA 2 AXIAL / RADIAL / ELSA 195 / 225

LENGTH	VEHICLE	OEM
175 cm	MAN TGA	68326725 88250376044 88250376022 88250376018

**320157** > CONTINUOUS WEAR SENSOR

PLUG TYPE 10



LENGTH	VEHICLE	OEM
275 cm	MAN TGA MAN NEOPLAN / LION'S SERIES	68326726 88250376045 88250376024

**320158** > CONTINUOUS WEAR SENSOR

PLUG TYPE 10



LENGTH	VEHICLE	OEM
250 cm	MAN NEOPLAN / LION'S SERIES	68326727 88250376046 88250376028

**320160** > CONTINUOUS WEAR SENSOR

PLUG TYPE 11



LENGTH	VEHICLE	OEM
80 cm	VOLVO FH / FM	68326738 20928563

**320161** > CONTINUOUS WEAR SENSOR

PLUG TYPE 11



LENGTH	VEHICLE	OEM
80 cm	VOLVO FH / FM	68326739 20928564

**320162** > CONTINUOUS WEAR SENSOR

PLUG TYPE 11



LENGTH	VEHICLE	OEM
85 cm	VOLVO FH12 / FH16 / FM9 / FM12	68326733 20928548 20928567

**320163** > CONTINUOUS WEAR SENSOR

PLUG TYPE 11



LENGTH	VEHICLE	OEM
85 cm	VOLVO FH / FM	68326732 20928539 20928544 20928541

**320164** > CONTINUOUS WEAR SENSOR

PLUG TYPE 11



LENGTH	VEHICLE	OEM
85 cm	VOLVO FH / FM VOLVO B6 / B7 / B9 / B2 / B3	68326734 20928540 20928544 20928575 23002665

**320165** > CONTINUOUS WEAR SENSOR



**PLUG TYPE II**



LENGTH	VEHICLE	OEM
85 cm	VOLVO FH / FM VOLVO B6 / B7 / B9 / B12 / B13	68326775 20526789 20928545 21390376 2308267

**320166** > CONTINUOUS WEAR SENSOR



**PLUG TYPE II**



LENGTH	VEHICLE	OEM
200 cm	VOLVO FH / FM	68326750 20928575 21092575

**320167** > CONTINUOUS WEAR SENSOR



**PLUG TYPE II**



LENGTH	VEHICLE	OEM
200 cm	VOLVO FH / FM	68326751 20928574 21092574

**320168** > CONTINUOUS WEAR SENSOR



**PLUG TYPE II**



LENGTH	VEHICLE	OEM
230 cm	VOLVO FH / FM	68326776 20928547 21054506

**320169** > CONTINUOUS WEAR SENSOR



**PLUG TYPE II**



LENGTH	VEHICLE	OEM
230 cm	VOLVO FH / FM	68326737 20928548 20554517

**320170** > CONTINUOUS WEAR SENSOR



**PLUG TYPE II**



LENGTH	VEHICLE	OEM
255 cm	VOLVO FH / FM VOLVO B6 / B7 / B9 / B12	68326730 20526762 20928356 20928536 21390372

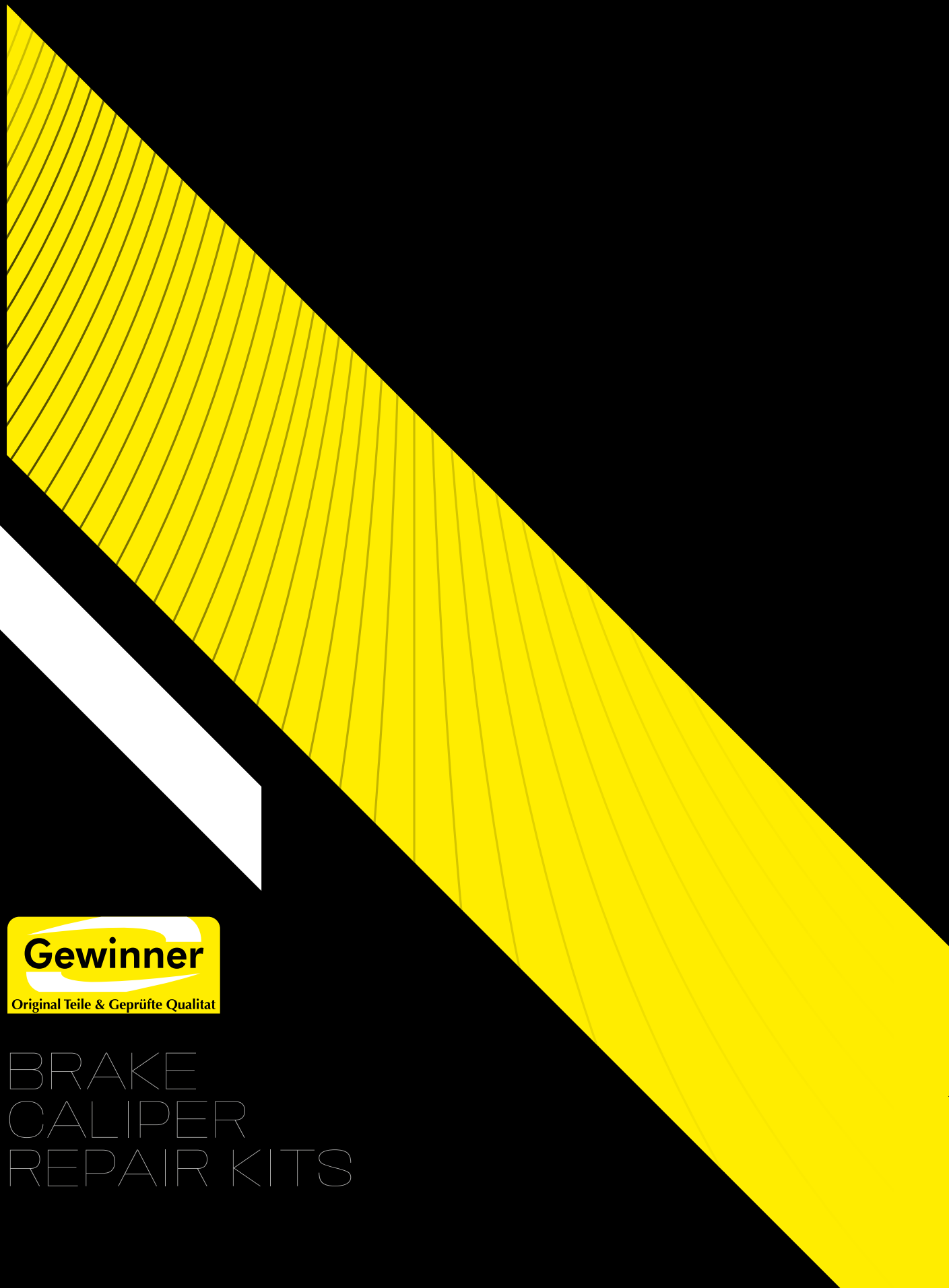
**320171** > CONTINUOUS WEAR SENSOR



**PLUG TYPE II**



LENGTH	VEHICLE	OEM
255 cm	VOLVO FH / FM VOLVO B6 / B7 / B9 / B12 VOLVO PF161 / PF2181 / PF3172 / PF3200	68326731 20526765 20928537 21390373



BRAKE  
CALIPER  
REPAIR KITS



# **REPAIR & MAINTENANCE TOOLS**

**120101** > MANUAL SENSOR TEST DEVICE  
[BATTERY OPERATED]



**120102** > SEMI-AUTOMATIC SENSOR TEST DEVICE  
[ELECTRIC-POWERED]



**942101** > CALIPER TOOL KIT



**942142** > DOUBLE PISTON CALIPER EQUALIZATION & TEST APPARATUS



**942143** > CALIPER INSTALLATION FIXTURE



**142104** > CALIPER CALIBRATION BOLT REMOVAL TOOL

FOR THESE PRODUCTS:

16A01 - 16A03 - 16A23



**142101** > CALIPER BUSHING TOOL KIT



**142102** > CALIPER BUSHING TOOL KIT



**142103** > CALIPER BUSHING TOOL KIT



**242101** > CALIPER BUSHING TOOL KIT



**342101** > CALIPER BUSHING TOOL KIT



**342102** > CALIPER BUSHING TOOL KIT



**342103** > CALIPER BUSHING TOOL KIT



**542101** > CALIPER BUSHING TOOL KIT





BRAKE  
CALIPER  
REPAIR KITS



# CROSS LIST

Gewinner NO	OEM NO	Gewinner NO	OEM NO	Gewinner NO	OEM NO	Gewinner NO	OEM NO
<b>KNORR-BREMSE</b>		<b>KNORR-BREMSE</b>		<b>WABCO</b>		<b>MERITOR</b>	
11101	K000133	151157	11328090062	211122	6401759322	301536	MCK1292
11108	K013007	151158	K000421	211128	6402259292	302107	MCK1050
11111	1119712004	151159	K004100	211129	12999795	302401	5J4114
11111	11197120061	151159	K048399K50	211130	12999791	302402	MCK1237
11111	1130679004	151160	K001691	211132	12999747VT	302402	MCK1239
11111	K000129	151160	K01117	211133	12999770	302406	68322563
11112	K002311	151161	K001692	220101	640 317 920 2	302411	MCK1212
11116	K000884	151162	K002872	220102	640 317 921 2	302412	MCK1210
11119	K000946	151164	K227067K50	220103	640 322 928 2	302501	5J4113
11120	K012912	151168	K001925	220104	640 322 943 2	302502	MCK1236
150101	K000366	151168	K028451	220105	640 319 920 2	302506	68322562
150101	K001300	151169	K001470	220106	640 319 921 2	302511	MCK1211
150101	K092079	151170	K108002K50	225103	12480021	302512	MCK1209
150101	K010603	151170	K108002K51	250106	640 175 920 2	302801	MCK1112
150105	11304130065	151170	K108002K62	250116	640 322 932 2	302801	5J4103
150105	K000944	151170	K108002K69	250116	640 322 942 2	302901	MCK1111
150105	K010604	151170	K108002K64	250116	640 322 942 2	302901	5J4102
150105	K010606	151171	11339830064	252101	12 999 699VT	303405	5J4074
150105	K192252K50	151173	K105599K55	252101	12 999 702	303505	5J4073
150106	11179320065	155101	K003902	252103	12 999 704VT	305101	68320912
150107	11370760065	155103	K000029	252106	12 999 738VT	305101	68321272
150113	K108004K50	155104	K000945	252107	12 999 776	305102	68321441
150121	K046523K50	156101	K001301	252107	640 225 921 2	305102	5J4117
150127	K227467K50	156103	1139769F0063	252112	12 999 746VT	307101	MCK1067
150129	K001929	156104	11328090061	252115	640 322 926 2	307107	MCK1048
150129	K097826K50	156107	11350470063	252116	12 999 678VT	307116	5J4108
150129	K146892K50	156108	11344730063	252120	12 999 729VT	307117	MCK1129
151100	K001532	156109	1119740063	252122	12 999 677VT	307407	MCK1399
151101	K000472	156110	11350470061	252126	640 222 920 2	307407	5J4097
151101	K011707	164103	1117934004	252126	640 222 928 2	307410	MCK1128
151102	K000375	169102	2001548	252128	640 322 938 2	307507	MCK1398
151107	K001915	<b>BENDIX</b>		252129	640 322 951 2	307507	5J4096
151107	K048389K50	150101	802119	252130	640 319 922 2	307510	MCK1127
151107	K099604K50	151129	803114	252134	640 175 922 2	308104	5J4112
151108	K048371K50	155101	802643	252135	640 317 928 2	308109	5J4031
151111	K000687	169102	802455	252138	640 317 922 2	308112	MCK1344
151113	1139769F0062	779101	381391	252140	640 319 922 2	308115	5J4098
151114	K000132	779102	381413	255105	640 322 941 2	311105	68321678
151115	11339680062	779105	381419	256101	12 999 580VT	311106	68322900
151115	11350470062	779106	1133692	279107	12 999 734VT	311107	68322485
151115	11369100062	<b>WABCO</b>		279109	12 999 733VT	31117	MCK1264
151116	11310370066	201126	640 195 940 2	<b>WABCO HYDRAULIC</b>			
151116	K000696	201132	640 175 946 2	779178	12 999 199VT	31119	MBA100
151119	11358510062	205402	640 175 940 2 - R	779197	12 999 116VT	31120	68323719
151121	K000935	205403	640 225 926 2 - R	<b>WABCO PERROT Ø360 SIMPLEX</b>			
151122	K000365	205404	640 195 936 2 - R	706102	12 999 402VT	31120	MCK1174
151128	K001928	205405	640 322 931 2 - R	706105	12 999 403VT	31123	68323501
151129	K004168	205406	640 322 945 2	706114	12 999 135VT	31123	MCK1263
151129	K010766	205408	640 319 929 2 - R	750101	12 999 418VT	31125	68320550
151134	11368470064	205409	640 322 935 2-R	772111	12 999 443VT	31125	68323027
151136	K000698	205502	640 175 940 2 - L	772113	13 304 029	31126	MBA108
151137	K000697	205503	640 225 926 2 - L	<b>WABCO PERROT Ø410 SIMPLEX</b>			
151143	11179320062	205504	640 195 936 2 - L	706102	12 999 402VT	31127	MBA105
151144	1119740062	205505	640 322 931 2 - L	706105	12 999 403VT	31128	68324769
151145	11197330062	205506	640 322 946 2	706114	12 999 135VT	31128	MBA112
151148	K031844K50	205508	640 319 929 2 - L	750101	12 999 418VT	31131	MBA104
151148	K133158K50	205509	640 322 935 2-L	772111	12 999 443VT	31131	5J4093
151149	K010813	211103	12999782	772113	13 304 029	31132	MBA103
151150	K001274	211103	12999802	<b>MERITOR</b>			
151150	K002716	211110	640 222 923 2 - 5	301404	DSB6R	31134	MBA101
151152	K052759K50	211110	640 322 933 2 - 5	301409	MCK1339	31135	MCK1262
151153	K002845	211121	12999743VT	301436	MCK1293	313105	MCK1168
151153	K067417K50	211121	12999703VT	301504	DSB6L	313105	MCK1169
151154	K048396K50	211122	12999698VT	301509	MCK1338	313105	MCK1294
						313110	MCK1167
						313110	MCK1295

Gewinner NO	OEM NO	Gewinner NO	OEM NO	Gewinner NO	OEM NO	Gewinner NO	OEM NO
<b>MERITOR</b>		<b>MERITOR</b>		<b>MERITOR</b>		<b>MERITOR HYDRAULIC</b>	
313401	MCK1022	320160	68326738	352146	MCK1118	779142	5P8564
313401	MCK1152	320161	68326739	352147	MCK1116	779143	5P8566
313501	MCK1021	320162	68326733	353103	MCK1155	779144	5J1035
313501	MCK1151	320163	68326732	353104	MCK1154	779144	5T1153
314101	31932070	320164	68326734	353106	MCK1153	779179	5P8570
314101	68321507	320165	68326735	356101	5J1212	779183	5J1091
314101	68321508	320166	68326750	356105	68322655PK10	779184	68320294
314102	MCK1160	320167	68326751	359105	KIT225221	779185	68320070
314103	MCK1161	320168	68326736	360114	68324699	779186	5J1092
314104	68915080	320169	68326737	360115	68325093	779187	68320293
314104	68915081	320170	68326730	360117	68324698	779188	68320021
314105	68321502	320171	68326731	360118	68325094	779189	5J1215
315401	05B5R	320175	68326911	361114	68130144	779190	68321603
315409	MCK1337	320176	68326512	361122	68130152	779191	31320085
315501	05B5L	341101	5J4111	361123	68130153	779192	5J1214
315509	MCK1336	341103	2297J6692	361126	68130034	779193	68320567
320101	68327662X	341105	MCK1240	361131	68130147	779194	68320564
320103	68326728	341108	68323722	362102	68323751	779195	5P8563
320104	68326072	341108	68325336	362105	68324854	<b>MERITOR Z-CAM</b>	
320104	68326665	341108	MCK1311	363105	68323784	775102	137074
320104	68326729	350101	MCK1139	363113	68324208	775101	137075
320110	68326687	350103	5T1156	364102	68323818	710101	166062
320111	68326517	350105	MCK1238	364107	68322655	770102	166063
320111	68326692	350106	MCK1244	364108	68323662	772101	167090
320112	68326513	350108	MCK1309	364110	5J4021	775102	64225252
320112	68326688	350117	MCK1088	364111	1250R1006	702503	68020145
320113	68326519	350119	68324854PK10	364111	MCK1375	702403	68020146
320113	68326694	350120	5J4077	364113	68324890	710101	68191065
320115	68326523	350121	5J4053	364118	68130055	770102	68191066
320115	68326698	350124	MCK1191	364118	68324331	703101	68191219
320116	68326913	351102	5J4001	364118	M5T1504	703501	68191510
320116	68327007	351104	MCK1213	366101	68320507	703401	68191511
320120	68327005	351104	5J4011	370103	5J4061	755501	68191540
320121	68326518	351105	MCK1170	370107	68322297	755401	68191541
320121	68326693	352106	MCK1102	370111	5J4032	775103	68191930
320122	68326524	352106	5T1157	370111	5J4078	772101	68192115
320122	68326699	352109	MCK1065	370116	68323746	762101	68192410
320123	68326912	352109	MCK1066	370118	68323746PK10	775101	68192487
320123	68327006	352110	MCK1104	370119	68322297PK10	702501	68192565
320125	68326713	352110	5J4076	370123	68322300PK10	702401	68192566
320130	68326714	352111	MCK1103	371105	5J4109	775101	68200150
320131	68326752	352113	MCK1171	371106	MCK1041	703501	A164052
320132	68326753	352114	MCK1192	371107	5J4105	703401	A164055
320135	68326717	352117	MCK1086	371108	68322775	702501	A164061
320136	68326715	352119	MCK1140	371109	68323440	702401	A164062
320137	68326745	352119	MCK1243	371110	68322774	703101	5P8540
320138	68326747	352120	MCK1254	373109	1229V4468	784501	5P8548
320141	68326748	352122	MCK1253	378101	68320133	784401	5P8549
320142	68326749	352123	MCK1298	<b>MERITOR HYDRAULIC</b>		755101	5T1033
320143	68326622	352124	MCK1317	760104	68320554	755103	5T1034
320143	68326741	352127	MCK1299	761107	68130045	755102	5T1035
320144	68326744	352128	MCK1310	762110	68320057	755501	5T1036
320145	68326746	352130	MCK1134	764110	68320555	755401	5T1037
320146	68326718	352130	5J4094	779130	5J1034	702502	5T1038
320147	68326716	352131	MCK1135	779132	5J1022	702402	5T1039
320150	68326720	352131	5J4107	779133	5P8565	770101	5T1053
320151	68326722	352133	KIT225200	779134	5P8902	702401	5T4013
320152	68326721	352134	KIT225201	779135	5J1030	702501	5T4014
320153	68326719	352136	5J4052	779136	5J1037	703101	5T4018
320154	68326723	352138	MCK1172	779137	5P8597	755401	5T4020
320155	68326724	352140	MCK1193	779138	5P9669	755501	5T4021
320156	68326725	352142	MCK1087	779139	5P8567	755102	5T4022
320157	68326726	352144	KIT225233	779140	5P9670	702501	5T4023
320158	68326727	352145	MCK1323	779141	5J1033	702401	5T4024

Gewinner NO	OEM NO	Gewinner NO	OEM NO
<b>MERITOR Ø360 SIMPLEX</b>		<b>SINOTRUK HOWO</b>	
70118	5P7971	301608	AZ4007443020-KIT
71501	5P9662	301708	AZ4007443010-KIT
762121	68191580	301808	AZ4007444220-MCYN-BES
762122	5P8588	301908	AZ4007444210-MCYN-BES
<b>MERITOR Ø381-394 DUPLEX</b>		301540	AZ4007443067
701107	RBSK05028.M	301440	AZ4007443077
706108	RBSK0549B.M	307202	AZ4007444031
706109	RBSK0250B.M	307302	AZ4007444030
706115	A2247U47	308105	AZ9100443022
706115	A2247D1018	352166	AZ40074440220
706402	RBSK0249B.M	<b>HALDEX</b>	
706502	RBSK0248B.M	405103	94664
750104	RBSK0251B.M	405104	92731
761104	A164002	411101	90673
761104	A2297L3158	411106	94659
762105	1205B1666	411107	91216
762105	1205C2005	411108	89924
762106	1205B2004	450101	89794
762106	1205C1667	450102	91011
764101	A22297U4597	450106	87405
764108	A1779M195	450107	94663
769101	165017	450112	94662
769102	165005	452101	91012
772104	22570108	452102	91013
772104	2257M1001	452103	91014
772110	2258H580	452104	89541
777106	328058131	452109	87406
778102	2297K4821	452111	87680
778103	2297J4820	452112	89723
778105	3280Y8163	452113	93299
<b>MERITOR Ø410 DUPLEX</b>		452114	94660
706112	A2247L1000	463107	94286
706401	RBSKI599.M	464101	89927
706401	RBSKI606.M	464102	89926
706501	RBSKI600.M	464102	90693
706501	RBSKI607.M	464109	87408
750105	RBSK2030.M	464110	94892
762102	1205X2000	464111	91019
762103	1205E2683	464114	89925
764103	A1229758287	472105	94665
769103	1227K1337		
772122	2258Y1507		
772123	RBSKI586.M		
777103	3280T8964		
778108	2297J8356		
778109	2297H8354		
<b>MERITOR Ø410 SIMPLEX</b>			
706112	A2247L1000		
706401	RBSKI599.M		
706401	RBSKI606.M		
706501	RBSKI600.M		
706501	RBSKI607.M		
750105	RBSK2030.M		
762102	1205X2000		
762103	1205E2683		
764103	A1229758287		
769103	1227K1337		
772122	2258Y1507		
772123	RBSKI586.M		
777103	3280T8964		
778108	2297J8356		
778109	2297H8354		

Gewinner NO	OEM NO	Gewinner NO	OEM NO	Gewinner NO	OEM NO	Gewinner NO	OEM NO
<b>MAN</b>		<b>MAN</b>		<b>MAN</b>		<b>MAN</b>	
030190	81.25460.5535	314105	81.50812.0009	370118	35.50307.5642	775102	N2970060001
11111	36.50822.6001	320104	Z6.50928-0008	370118	81.50901.0015	775103	1336791
11111	36.50822.6005	320115	Z6.50953-0008	370123	35.50310.9531	775103	N2509990127
150101	81.50822.6020	320121	Z6.50946-0008	370123	81.50810.0003	779138	STR5P9669
150101	81.50822.6031	320122	Z6.50947-0008	701116	N1011014929	779140	STR5P9670
150105	81.50822.6007	320133	Z6.50950-0008	701118	81.50455.0001	784401	1322439
150105	81.50822.6022	320138	Z6.50948-0008	702401	1472809	784401	N2509996033
150105	81.50822.6032	320140	Z6.50956-0008	702401	8603390	784501	1322422
150129	81.50802.6029	320144	Z6.50954-0008	702401	N2509996054	784501	N2509996031
150129	81.50822.6027	320150	81.25937.6015	702402	1428758	<b>IVECO</b>	
151101	81.50822.6019	320150	81.25937.6039	702402	N2509996051	11111	42538004
151102	36.50822.6000	320151	81.25937.6010	702501	1494055	11111	97131548
151102	81.50822.6023	320151	81.25937.6017	702501	8603391	150101	42541413
151107	81.50822.6019	320151	81.25937.6041	702501	N2509996057	150101	42552622
151107	81.50822.6034	320152	81.25937.6009	702502	1428741	150101	5006028046
151107	81.50822.6037	320152	81.25937.6019	703101	1422829	150105	42541341
151107	81.50822.6044	320152	81.25937.6040	703101	8603403	150105	42553530
151108	81.50822.6036	320153	81.25937.6013	703101	N2509996050	150105	93162050
151114	36.50822.6008	320153	81.25937.6038	703401	1350890	150105	97131443
151114	81.50822.6005	320154	81.25937.6023	703401	8605967	150105	503512832
151115	81.50822.6009	320154	81.25937.6042	703401	N2509990131	150105	5006046989
151115	89.19933.6424	320155	81.25937.6026	703501	1350884	151101	42541412
151115	N1011014128	320155	81.25937.6043	703501	8605966	151101	42562856
151128	81.50822.6026	320156	81.25937.6018	703501	N2509990129	151101	5006028005
151143	N1011015462	320156	81.25937.6022	706114	N1011013158	151102	42538002
151144	81.50822.6006	320156	81.25937.6044	710101	1321228	151102	42562855
151149	81.50822.6033	320157	81.25937.6045	710101	8603384	151113	42537451
151153	81.50822.6043	320158	81.25937.6046	710101	N2900000084	151114	97131439
155103	81.50822.6021	320163	Z6.50929-0008	710101	N2900000152	151114	97131442
155104	81.50822.6024	320164	Z6.50951-0008	715101	81.50456.6002	151115	93162048
156101	81.50822.6025	320165	Z6.50944-0008	755101	1449350	151115	580109377
156104	81.50822.6008	320170	Z6.50952-0008	755102	1341829	151134	5006028066
156108	81.50822.6010	320171	Z6.50945-0008	755102	8701361	151153	5006028067
164103	81.50822.6004	320176	Z6.50930-0008	755102	N2509996037	155104	5006028069
205405	81.50822.6041 - R	341105	33.50307.5665	755103	85.50001.3424	156101	5006028068
205505	81.50822.6041 - L	341105	N2509990107	755103	2068777	156104	93162049
211103	81508206042	350101	35.40311.2182	755103	8604735	211122	1906467
211103	81508206006	350101	81.50802.6024	755401	1386099	211122	2996430
211103	81508206020	350103	35.50310.9502	755401	8604737	211122	299643
211103	81508206053	350103	81.50802.6016	755401	N2509996047	211122	500055372
211103	81508206007	350105	STRMCK1238	755501	1336762	211122	500328234
211103	81508206021	350117	35.50307.5636	755501	8604736	211122	42560830
211110	81.50820.6065 - S	350117	N2965026008	755501	N2509996035	252101	42536957
220103	81.50822.6040	351104	81.50802.6008	756101	1376916	252107	503512819
225103	81508226014	351104	81.50802.6009	756101	N2900006011	311120	503131342
250108	81.50822.6042	352103	81.50802.6026	762101	1427340	313105	2995922
252115	81.50822.6038	352106	35.50310.9496	762101	8701359	350101	503128757
252120	81.50800.6023	352106	81.50802.6017	762101	N2509990143	352119	42552052
252120	N1011015566	352106	81.50802.6020	762102	8600569	352119	42555201
255109	81.50822.6039	352106	81.50802.6021	762105	51120581666	352119	503128758
256101	81.50822.6003	352111	81.50802.6022	762106	51120581667	701101	42558430
305101	81.50822.0003	352117	Z6.00295-0002	762121	81.50102.6001	701101	93161622
311105	81.50822.0006	352119	35.40311.2205	770101	1422835	701101	93162114
311120	06.01771.8107	352119	81.50802.6025	770101	8701362	701103	42559512
311120	35.50307.5700	352120	STRMCK1254	770101	N2965026017	701103	42562830
311120	81.50822.0014	352120	Z6.07016-0007	770102	1321234	701108	2996557
311125	81.50822.0001	352122	STRMCK1253	770102	8603385	701109	42536197
311125	81.50822.0010	352127	STRMCK1299	770102	N2966010119	701109	42558432
311135	81.50822.0007	352142	35.50307.5607	772101	1398023	701113	42538065
314101	81.50812.0011	352147	STRMCK1116	772101	8607130	706101	42536194
314102	N2509990221	356101	81.50802.6007	772101	N2900000088	706101	42537942
314102	STRMCK1160	362105	N2509990263	772115	81.97610.0190	706101	93161621
314103	N2509990223	362105	STR68324854	772115	N1011013014	706103	42558429
314103	STRMCK1161	364107	81.50810.0005	775102	8603393	706103	93161623

Gewinner NO	OEM NO	Gewinner NO	OEM NO	Gewinner NO	OEM NO	Gewinner NO	OEM NO
<b>IVECO</b>		<b>IVECO</b>		<b>RENAULT</b>		<b>RENAULT</b>	
706104	42536195	755501	3346440R91	220102	7421 749 002	350101	5006 028 414
706106	118689	756101	3346442R91	220105	7421 749 005	350101	5021 179 952
706106	93161255	761104	42480059	220106	7421 749 004	350103	5001 849 886
706106	93161768	762101	42540274	252103	5001 852 880	350105	5021 202 828
706113	116262	762101	3346430R91	252103	7421 454 873	350106	5001 858 718
706113	93161256	762102	42531677	252107	5001 866 626	350106	5001 860 792
750102	116263	762103	42537841	252112	5001 858 722	350108	5001 866 398
750102	93161257	762105	42488736	252112	7421 454 874	351102	5001 822 994
750106	42537884	762105	3351848R1	252116	5021 170 488	351102	5001 822 998
761103	42531676	762106	42488737	252122	5021 170 487	352106	5001 849 885
761103	42537758	764101	42488735	252130	7421 748 972	352110	5001 837 006
772109	8121307	764108	42488739	252138	7421 748 963	352113	5021 170 885
772112	118690	769103	93163852	252140	7421 748 972	352114	5021 170 886
772112	93161872	772101	3346437R1	255111	7421 749 014	352117	5001 858 717
772114	93161627	772104	42488484	302401	5001 856 320	352119	5001 860 791
772114	93162113	772110	42480056	302412	503129554	352123	5001 866 989
772116	42538063	772111	93161260	302501	5001 856 319	352128	5001 866 400
776403	93161864	772113	8121441	302512	503129553	352136	5001 845 385
776503	93161863	772123	42536192	303405	5001 845 387	352147	5021 202 776
779101	93161819	775102	1635251	303505	5001 845 386	356101	5001 831 176
779102	93161192	775103	3346433R1	305101	5001 822 997	364107	5006 028 417
779105	93161560	777106	42480058	311105	5001 849 887	370118	5006 028 416
779106	93161843	778102	7984216	311120	5001 858 719	370119	5001 866 415
779152	42548197	778103	7984217	311120	5001 866 486	370123	503128760
779152	42555416	778105	42480060	311126	5001 845 969	411106	5021 174 162
779153	93162193	779130	93161037	311133	5001 836 607	411106	5021 174 180
779154	93161847	779130	93161473	311135	503128759	452110	5021 174 076
779156	93162192	779132	93161035	313105	5021 202 850	452114	5021 174 174
779158	42534122	779132	93161475	314102	5021 139 150	464102	5021 174 163
779158	93161759	779133	8124737	314102	5021 170 882	701117	5000 815 484
779159	42559195	779135	93161036	314103	5021 139 151	701118	5000 823 232
779176	93161757	779135	93191505	314103	5021 170 883	702401	5001 868 117
779178	93161181	779136	93161028	320110	7423 740 253	702401	5006 018 437
779197	8124032	779136	93162075	320111	7421 296 868	702403	5006 046 766
701107	42491950	779141	93161034	320115	7421 296 874	702501	5001 868 118
701116	93163525	779141	93161471	320116	7421 665 043	702501	5006 018 438
702401	3348784R91	779142	93161552	320121	7421 296 869	702503	5006 046 765
702501	3346429R91	779144	93161029	320122	7421 296 875	703101	5001 868 121
702501	3348783R91	779144	93161472	320123	7421 665 042	703101	5006 018 458
703101	3346443R91	779189	93161040	320125	5001 856 033	703401	5001 868 126
703401	3346447R1	779189	93161245	320130	5001 856 034	703501	5001 868 125
703401	3346449R1	779191	42530548	320133	7420 928 552	703501	5006 018 474
703501	3346448R1	779192	93161244	320134	7420 928 550	710101	5001 868 127
706102	93161267	779194	93159285	320135	5001 856 029	710101	5006 018 435
706105	93161268	<b>RENAULT</b>		320136	5001 856 031	715101	5000 823 233
706108	42491974	11111	5021 175 165	320137	7420 928 559	750101	5021 170 485
706109	7980407	150101	5021 171 548	320137	7423 740 272	756101	5006 018 457
706109	93161353	150105	5021 133 447	320138	7420 928 561	762101	5001 868 119
706114	8124815	151100	5021 181 996	320138	7423 740 274	762101	5006 018 439
706115	42480062	151114	5021 175 206	320140	7420 566 437	762122	5000 823 234
706401	42537363	151115	5021 133 459	320140	7420 928 553	763111	7401 088 812
706401	42537365	151115	5021 135 225	320141	7420 928 565	768121	7400 967 852
706402	7980406	151134	5021 175 226	320142	7420 928 566	770101	5006 018 459
706501	42537364	151143	5021 135 101	320143	7420 928 551	770102	5001 868 122
706501	42537366	151153	5021 171 545	320144	7420 928 562	770102	5006 018 436
706502	7980405	151153	5021 171 547	320144	7423 740 271	770110	5001 868 162
710101	3346423R1	155103	5021 175 269	320145	7420 928 555	770110	7403 095 205
750101	116261	155104	5021 175 286	320145	7420 928 560	770111	7401 628 629
750101	93161254	156101	5021 175 294	320145	7423 740 273	770112	7400 958 861
750104	7980408	211121	5010848607	320146	5001 856 030	772101	5001 868 113
750105	93161625	211131	7421 538 270 - 5	320147	5001 856 032	772101	5006 018 480
755102	42540290	211132	5001855902	320176	7421 296 863	773108	7401 697 408
755102	3346439R91	211132	7485137789	341105	5021 177 423	775102	5001 868 120
755401	3346441R91	220101	7421 749 003	341108	7485 109 893	775102	5006 018 440

Gewinner NO	OEM NO	Gewinner NO	OEM NO	Gewinner NO	OEM NO	Gewinner NO	OEM NO
<b>RENAULT</b>		<b>DAF</b>		<b>DAF</b>		<b>MERCEDES-BENZ</b>	
775103	5006 018 450	252120	1517354	779139	1522161	151153	000 423 1450
779102	5021 174 943	252122	865965	779140	1522163	151153	000 423 2574
779137	5001 014 679	256101	1517407	779142	1522160	151157	050 121 0655
779137	5001 829 892	301436	876053	779143	1522175	151167	000 421 6174
779142	5001 014 701	301536	876052	779144	1522179	151168	000 420 4382
779142	5001 829 895	302401	L85J4114	779197	F8U1076	155101	000 420 3248
779143	5001 829 894	302501	X8U1066	701116	1505365	155103	000 423 4687
781109	7703 066 033	307116	1522167	701116	F8U9121	156101	050 121 1048
701107	5021 203 245	308104	1522169	706102	1518475	156104	001 420 5283
702402	7401 081 820	311120	868303	706105	1518476	156104	050 121 0656
702502	7401 081 819	313105	1689883	750101	1505885	156110	001 420 6683
755102	7403 090 964	314102	1675768	756101	1694367	205402	405 421 0016 - R
755401	7400 276 098	314103	1675766	<b>MERCEDES-BENZ</b>		205406	000 423 0516
755501	7400 276 097	315413	876051	030184	001 540 5336	205502	405 421 0016 - L
784501	5021 203 714	315513	876050	030184	002 540 1336	205506	000 423 0416
<b>DAF</b>		350101	1487339	030184	375 540 0536	220104	003 540 9217
030121	1377071	350105	868378	030184	375 540 0636	250106	405 421 0080
030123	1425234	350120	1524607	030185	001 540 5236	250116	000 423 5886
030126	1425236	352106	1522034	030185	375 540 0936	252129	000 423 1063
11111	1448911	352110	1522184	030186	002 540 1536	252134	002 420 3183
150101	884506	352113	1489989	030186	375 540 0736	252135	405 420 0050
150101	1616894	352114	1489991	030187	002 540 0736	255105	000 423 0707
150101	1622785	352117	1522185	030188	001 540 5036	279107	405 420 0076
150101	1689313	352122	884368	030188	001 540 9536	279109	405 420 0083
150105	884502	352127	1522170	111101	000 420 2582	305101	000 423 0062
150105	1448913	352130	1489198	11111	000 420 2682	311125	356 421 0046
150105	1623221	352131	1522166	11111	050 121 1049	351104	000 420 0176
150105	1690420	352136	1522192	11111	627 420 0186	351104	000 420 0276
151107	1639100	352147	1489197	11111	627 420 0188	351104	000 420 0676
151107	1847716	356101	1522063	11114	000 420 0882	356101	000 423 0082
151111	1603326	371105	1522168	11114	000 420 2482	366101	000 420 3044
151111	1603327	702401	X8U0911	150101	000 420 2382	779131	000 421 8386
151115	1142142	702401	1694353	150101	000 420 4082	779145	000 420 0054
151115	1198153	702501	X8U0910	150101	000 420 4982	779145	000 420 0250
151115	1198154	702501	1694352	150105	000 420 0682	779145	000 421 0850
151115	1448915	703101	1694368	150105	000 420 3982	779146	000 423 0663
151129	1527854	703401	X8U0685	150105	000 420 4882	701116	006 548 1213
151134	1142144	703401	1694794	150105	050 121 0168	702401	1892003407221
151134	1448910	703501	X8U0684	150105	050 121 0657	702501	1892003407231
151143	1520908	703501	1694793	150107	000 420 1382	703101	1892003407351
151143	8230397	706101	1258802	150113	000 423 0316	703401	89200340794
151153	1929023	706102	F8U9123	150129	000 420 4282	703401	1892003407941
155101	906419	706105	H8U2663	151101	000 420 3482	703501	89200340793
155104	884504	706106	1505883	151102	000 420 2982	703501	1892003407931
155104	1142146	706113	1505884	151107	000 420 4682	755401	1892003407911
155104	1439493	710101	1694347	151114	000 420 1082	756101	89200340751
156104	1448914	750101	F8U7499	151114	000 420 2182	756101	1892003407511
156108	1448600	750102	F8U7502	151115	000 420 1282	762101	89200340815
164103	1448912	755102	1694364	151115	001 420 3015	772101	1892003407951
211103	1517392	755401	1694366	151115	001 420 2883	772113	000 654 8125
211103	1505382	755501	1694365	151115	050 121 1763	775102	1892003407251
211121	1436901	762101	1694354	151115	098 010 2610	779134	000 421 1463
211121	1519362	770101	1694370	151116	002 420 0383	779137	000 420 1344
211122	1519146	770102	X8U0889	151119	000 420 1182	779144	000 420 0476
211130	1628064	770102	1694348	151119	050 121 1047	<b>SCANIA</b>	
211132	1519364	772101	1694362	151122	000 420 0782	030123	1482003
225103	1517391	772109	F8U7687	151122	000 420 2282	030123	1884529
250106	906197	772112	1518483	151128	000 420 4182	030128	8015557
252101	1436853	772113	F8U9116	151129	000 420 5082	030180	1524331
252103	1519363	775102	1694355	151134	000 420 0150	030180	1525357
252106	1505890	779133	1522081	151134	001 988 2810	111119	1504808
252107	1628065	779134	1522173	151134	050 121 2199	111119	1886091
252112	1440505	779137	1522174	151143	050 121 0167	150101	1723417
252116	865966	779138	1522162	151145	050 121 0176	150101	2121858

Gewinner NO	OEM NO	Gewinner NO	OEM NO	Gewinner NO	OEM NO	Gewinner NO	OEM NO
<b>SCANIA</b>		<b>SCANIA</b>		<b>ALEXANDER DENNIS</b>		<b>VOLVO</b>	
150101	2198394	250106	2396938	750101	65481217	320145	23740273
150101	5P1037053	252106	1723418	750102	65481218	341108	85109893
150105	1415151	252106	1748132	755102	61385915	350101	85107913
150105	1723414	252106	2093080	755102	65399615	350105	AMMCK1238
150105	1743421	252107	2093081	755401	6138604	350108	85109891
150105	1746824	252107	2198529	755401	6539973	352110	85103129
150105	1756389	252107	2396937	755501	61385928	352113	AMMCK1171
150105	1759811	252126	2432073	755501	65399617	352114	AMMCK1192
150105	2121859	341108	2272715	762101	61385910	352119	85107912
150105	5P1037040	350101	2272703	762101	65399614	352119	AMMCK1243
150106	1390429	350108	2272699	762101	65399620	352120	AMMCK1254
151100	1415148	352114	1034001	770101	61385923	352122	AMMCK1253
151100	1444207	352128	2272642	770101	6535638	352123	85109890
151100	1472919	352145	2272638	770101	65399622	352124	85109889
151100	1477676	352145	2564028	770102	6138594	352127	85107718
151100	1477678	<b>ALEXANDER DENNIS</b>		770102	65356315	352127	AMMCK1299
151100	1906776	211133	6597421	770102	6539968	352128	85109892
151100	2021750	252107	6597422	772101	61385919	352130	85103892
151100	2087143	302401	CA5J4114	772101	65399619	352130	AMMCK1134
151101	1723416	302401	DEP100074	772109	6532515	352131	85103891
151107	1477675	302501	CA5J4113	772113	6548125	352146	85102092
151107	1527631	302501	DEP100073	775102	60889335	352147	85102094
151107	2121646	303405	6565652	775102	61049727	352147	AMMCK1116
151107	5P1037062	303505	6565640	775102	6138599	364107	AM68322655
151108	2121648	305102	65537714	775103	61385917	772113	20000217501
151113	2121645	305102	DEP1000920E	701116	65481213	<b>SAF AXLE</b>	
151114	1390426	308109	6553778	756101	61385912	11111	3 434 3807 00
151114	1798063	308109	6553779	756101	65399616	11111	3 434 3809 00
151114	2121644	311125	6550793	<b>VOLVO</b>		11111	5 317 0026 00
151115	1390427	311125	6550795	150101	N8893342	11111	8 531 7002 600
151115	2121643	311133	6553772	150105	N8893365	150101	3 434 3814 00
151119	1415149	311133	6553782	156101	N8893326	150105	3 434 3804 00
151119	1415154	311133	DEP100070	211129	85105654	150105	5 317 0028 00
151119	14151515	313401	6553784	252107	85105655	150105	8 531 7002 800
151128	2121650	313401	CAMCK1152	252107	85108166	150113	3 434 3823 00
151129	1748131	313501	6553776	301436	AMMCK1293	151107	3 434 3812 00
151129	2121647	314104	6464646	301536	AMMCK1292	151115	5 317 0021 00
151129	2198395	314104	6565645	302601	85102093	151116	3 434 3805 00
151129	5P1037157	350120	DEP100072	302801	85102096	151116	8 443 4371 000
151134	2121840	351104	65507911	302901	85102095	151121	3 434 3802 00
151148	1756390	352110	6553777	307116	85109977	151129	3 434 3815 00
151148	1906779	352110	6565644	307117	85102099	151134	3 434 3801 00
151153	2064260	356101	6535631	307407	85109976	151136	3 424 3813 00
151153	2292232	356101	65507910	307410	85102098	151153	3 434 3820 00
151153	5P1037063	364110	6553770	307410	85109979	151157	8 531 7002 100
151154	2121641	370111	6553773	307507	85109975	151157	8 531 7002 200
151157	2121642	370111	6565643	307510	85102097	151170	3 434 3824 00
151157	5P1037022	370111	DEP100080	307510	85109978	155104	8 531 7002 500
151173	2286677	702401	61385911	311117	85108804	156101	5 317 0027 00
155101	2121869	702401	65399612	311120	85107958	156103	3 434 3806 00
155101	2198536	702501	61385913	311120	AMMCK1174	156107	3 434 3803 00
155104	1415152	702501	65399613	311128	85109894	163105	4 434 4013 00
155104	2121868	703101	61385917	311132	85109445	164104	3 434 3816 00
156101	1439494	703101	65399621	313401	85104828	164106	3 434 3817 00
156101	2121839	703401	6138606	313501	85104827	250107	3 434 3829 00
156104	1415150	703401	6539963	314102	AMMCK1160	252106	3 434 3827 00
161102	1385210	703401	6539975	314103	AMMCK1161	252106	3 434 3827 01
161102	1736000	703501	61385929	315413	AMMCK1291	252107	3 434 3828 00
161102	1787220	703501	65399625	315513	AMMCK1290	411106	3 434 3851 01
164103	1390430	706102	65481215	320116	23740279	450106	3 434 3202 00
164104	1873983	706105	65481216	320120	23740277	450106	3 434 3852 00
250106	1872780	706114	65325114	320123	23740278	450108	3 434 3863 00
250106	2093084	710101	6138593	320138	23740274	450112	3 434 3852 01
250106	2198528	710101	6539967	320141	23740275	450112	3 434 3852 02

Gewinner NO	OEM NO
<b>SAF AXLE</b>	
452101	3 434 3854 02
452110	3 434 3203 00
452110	3 434 3854 00
452110	3 434 3854 01
452110	3 434 3856 00
452110	3 434 3857 00
452110	3 434 3858 00
452114	3 434 3857 02
452114	3 434 3858 01
452115	3 434 3861 00
455103	3 434 3862 00
464102	3 434 3855 02
464109	3 434 3204 00
464110	3 434 3854 01
464111	3 434 3856 01
472105	3 434 3852 03
<b>BPW AXLE</b>	
11111	09.801.02.66.0
11111	09.801.02.76.0
150101	09.801.06.32.0
150105	09.801.02.63.0
150111	09.801.06.34.0
150129	09.801.07.06.0
151100	09.801.06.31.0
151101	09.801.06.33.0
151102	09.801.06.24.0
151104	09.801.06.90.0
151114	09.801.02.51.0
151115	09.801.02.61.0
151115	09.801.02.87.0
151116	09.801.02.97.0
151128	09.801.07.05.0
151136	09.801.06.91.0
151157	09.801.02.57.0
151157	09.801.02.88.0
155101	09.801.06.25.0
156104	09.801.02.60.0
156104	09.801.06.11.0
156107	09.801.02.58.0
160103	02.0314.06.00
160104	02.0315.34.00
160106	02.0316.97.00
160107	02.0315.35.00
160108	02.0315.60.00
161104	02.5015.73.15
161105	02.5015.72.15
161125	03.340.12.29.0
162101	02.0608.15.00
162102	02.0608.14.00
162104	02.0611.05.00
162105	02.0611.06.00
162106	02.1011.24.00
162108	02.1011.25.00
163103	02.1410.21.00
163104	02.0315.36.00
163105	02.0315.56.00
163108	02.1410.19.00
163111	02.1410.22.00
164102	02.1827.06.00
164104	02.1827.08.00
164105	02.0601.19.00
166101	02.5683.74.00
167101	02.1827.07.00
168101	02.5677.98.00

Gewinner NO	OEM NO
<b>BPW AXLE</b>	
169101	02.2400.11.00
261106	02.5015.76.15
<b>SCHMITZ TRAILER</b>	
11111	015420
150101	017696
150101	1008451
150105	015419
150105	016703
150105	016786
150105	017264
150111	017695
150113	1227579
150127	1475273
151100	017665
151100	018071
151100	917682
151102	017197
151115	015418
151115	1052335
151116	017947
151129	1008450
151129	1105586
151134	016787
151153	1105585
151164	1475272
151170	1227598
155101	1008453
155101	1105587
155104	1044273
156104	015422
156104	015649
156104	017155
156104	018077
161105	016698
169101	017160
205403	1146640 - R
205503	1146640 - L
211110	1195232 - S
250106	1068160
250106	1104515
250106	5C81068160
252106	1020777
252107	1068119
252107	1104514
252107	5C81068119
252126	1199858
<b>ZF AXLE</b>	
11111	0501213105
11111	0501213121
150101	0501213689
150101	0501215083
150105	0501210657
150105	0501215060
150105	0501215138
151107	0501218610
151108	0501218609
151115	0501217763
151116	0501213361
151119	0501211047
151134	0501212199
151143	0501210167
151148	0501217472
151149	0501215397
151153	0501213102

Gewinner NO	OEM NO
<b>ZF AXLE</b>	
151153	0501213688
151157	0501210655
155103	0501213104
155104	0501213690
156101	0501211048
156101	0501213698
305101	0501314109
311105	0501318076
311120	0501321591
350101	0501215022
350103	0501211883
352106	0501213164
352119	0501215220
356101	0501208810
356101	0501209883
366101	0501313854
370118	0501322343
370123	0501318077
702501	0501210719
706109	0501298159
750104	0501298164
755102	0501210721
762101	0501316391
772110	0501314950
<b>FORD</b>	
155103	16M0008240AA
764106	6C462045AA
778101	6C462A170CA
702401	9C462A105BA
702501	9C462A105AA
703101	9C462458AA
703401	9C462K161AA
703501	9C462K161BA
706112	6C462B024AA
710101	9C462213AA
755401	9C462K400BA
755501	9C462K400AA
762101	9C462B009AA
762102	6C462B009AA
762103	6C462B009BA
762105	820B2B009AA
764103	6C462A105AB
770102	9C462B032AA
772101	9C462296AA
772104	820B2B026AA
772110	820B2296AA
772122	6C462L371AA
775101	9C462069AA
775102	9C462B003AA
775103	9C462C200AA
777103	6C462B003AA
778108	6C462A170AA
778109	6C462A170BA
<b>FRUEHAUF TRAILER</b>	
11111	M100969
11111	M91000201
11111	M91005001
150101	M91005201
150101	M91006201
150105	M100942
150105	M91006202
151107	M91004802
151115	LSA0086001
151115	M100918

Gewinner NO	OEM NO
<b>FRUEHAUF TRAILER</b>	
151153	M91004801
155103	M91004901
156101	M100977
156104	M100926
252116	M100675
252122	M100667
308112	CF104618
314102	CF103649
314103	CF103650
315401	CF104620
315501	CF104619
352113	CF104387
352114	CF104388
<b>PACCAR</b>	
211103	1517392
211121	1519362
211122	1519146
211130	1628064
225103	1517391
352119	1522058
352120	871054
352123	9500931
352127	Y07100312
362105	9500643
364107	1489071
370118	868304
701107	FBU6782
702401	PPMST4013
702501	PPMST4014
703401	TP02006096
703501	TP02006095
755101	TP02006268
755102	TP02006093
755501	TP02006094
761104	Y07088205
762101	TP08023002
762105	Y03018404
772104	Y03018809
772110	Y03019410
775102	AAU6457
701116	1505369
<b>VAN HOOL</b>	
030126	11176664
150105	11031121
151102	11099621
151107	11469228
155104	11057545
350103	N508026022
352106	10770779
706108	634321204
706115	634321231
706402	10610921
761104	634321222
762105	634321223
762106	634321228
764101	634321229
764108	634321230
772104	634321233
772110	634321172
778105	634321225
<b>HENDRICKSON TRAILER</b>	
150101	S-29152-6
151129	S-29152-9
169102	S-29152-5

Gewinner NO	OEM NO	Gewinner NO	OEM NO	Gewinner NO	OEM NO	Gewinner NO	OEM NO
<b>HENDRICKSON TRAILER</b>		<b>OTOKAR</b>		<b>JUST AXLE</b>		<b>TATRA-TRUCK</b>	
205403	5-35303-9 - R	111101	13C33-05630-AA	150101	JAE 01 504 049 82	155104	TW04615
205404	5-36838-9 - R	150101	16N00-05734-BA	150105	JAE 01 504 023 82	<b>HYUNDAI TRANSLEAD</b>	
205503	5-35303-9 - L	150105	16N00-08241-AA	150113	JAE 02 504 100 82	030122	946007M500
205504	5-36838-9 - L	150129	13C33-05635-AA	151153	JAE 01 504 061 74	030124	946007M600
250106	5-32676-3	151128	13C33-05634-AA	151170	JAE 01 504 056 82	030126	946007M700
252107	5-32676-4	151153	16H00-08318-AA	450108	JAE 02 504 100 86	701116	583306A000
252126	5-35303-4	151153	16N00-08239-AA	452115	JAE 02 504 100 63	<b>VDL BUS</b>	
411106	5-30560-3	155103	16M00-08240-AA	455103	JAE 02 504 100 07	030123	20288067
411107	5-30560-12	155104	13C33-05631-AA	<b>FREIGHTLINER</b>		030123	41425234
452102	5-30560-6	156101	16N00-08240-AA	255109	WAB6403229272	030126	41425236
452113	5-30560-5	250106	13C3508278AB	701116	TB8065481213	030128	45012234
452114	5-30560-14	252101	13C3508276AA	706102	TB8065481215	<b>SOLARIS BUS</b>	
464102	5-30560-4	779178	12E0008228AA	706105	TB8065481216	030128	1509557000
464110	5-30560-13	<b>AWD TRUCKS</b>		750101	TB8065481217	701116	801319100
464114	5-30560-2	703101	A4027696	750102	TB8065481218	706102	8700400000
<b>NISSAN LKW</b>		703401	A4027691	772109	TB806532515	706114	701590020
211129	440609X625	703501	A4027705	772113	TB806548125	<b>KIA</b>	
252107	411209X625	706109	A4022499	<b>RABA AXLE</b>		701116	AA84J33850
302401	69030020	706502	A4023357	305101	746871	772109	AA84J33751
302501	69029730	710101	A4027680	356101	650459	772113	AA84J33771
305102	69029810	755102	A4027698	366101	650458	<b>LECINENA TRAILER</b>	
308109	69029760	755401	A4027699	702501	665135	150101	120019500050
313401	69030040	755501	A4027706	710101	665145	150105	120019500049
313501	69029750	762101	A4027686	762101	665151	151134	120019500012
350121	69029910	770101	A4027695	772101	665153	<b>GIGANT AXLE</b>	
352136	69029720	756101	A4027697	775102	665152	452115	16030004
370103	69029770	<b>BMC</b>		<b>DAEWOO TRUCKS</b>		452115	703011013
761104	69028770	702401	9P910414	030126	3879500570	452115	716080004
762102	69026590	702501	9P911107	205405	P3093000480 - R	<b>EOBUSUS</b>	
762105	69028780	710101	9P910178	205505	P3093000480 - L	151115	627 420 0150
772104	69028800	755401	9P910412	220103	P3093000500	151157	627 420 0050
772110	69028410	755501	9P910411	250108	P3093000470	156101	627 421 0086
<b>BREDAMENARINIBUS</b>		770101	9P905487	252128	P3093000460	<b>ISUZU</b>	
301409	193106	772101	9P901265	255109	P3093000490	150101	387026672051
301509	193105	772110	9P911469	779197	Z366595990	151153	387026670051
308112	193107	775103	9P901234	<b>ASTRA-TRUCK</b>		<b>LIEBHERR</b>	
313105	193100	<b>KASSBOHRER TRAILER</b>		308112	98133545A5	250107	10326501
315409	193104	150105	82855154680	313105	98133541A5	252106	10326485
315509	193103	151114	82855155630	314103	98133540A5	<b>VALX AXLE</b>	
352138	193101	151114	82855154690	352113	98133542A5	250107	50360001
352140	193102	151115	89199390714	352114	98133544A5	252107	50340001
701107	192753	151157	89199336424	353104	98133539A5	<b>CLARK</b>	
706108	192752	305101	8285388449	<b>TERBERG</b>		750101	4316431
706109	192756	311125	8285388450	150101	22101556	<b>FOTON</b>	
706402	192755	314101	82854415090	150105	22101460	030128	1612935610114
706502	192754	356101	8285388441	151107	22101555	<b>UD TRUCKS</b>	
750104	192757	<b>SCHWARZMÜLLER TRAILER</b>		151129	22101577	211129	440609X625
772110	192733	151107	68326	151153	22101579	<b>YORK AXLE</b>	
<b>NEOPLAN</b>		151114	106820	151157	22101331	252106	79787365
111111	11015531	151134	55190	<b>AKIA</b>		<b>OFFICINE MIRANDOLA</b>	
150105	11014051	151153	106827	150101	AB106515	311134	WM0909Y
151114	82135301	151157	41072	150105	AB106516		
151115	11015565	250106	67492	151153	AB106522		
151143	11015462	252106	46780	155104	AB106506		
151143	82134101	252107	51239	156101	AB106507		
156101	11015473	<b>KOGEL TRAILER</b>		<b>MACK</b>			
156104	11014050	150101	6500509	211121	26112999703VT		
252120	11015566	252107	6500700	211132	26112999747VT		
252120	82139200	706106	8009190	252103	26112999704VT		
701116	11014929	706113	342342	252112	26112999746VT		
701116	80131910	750101	336676	<b>TATRA-TRUCK</b>			
706114	11013158	750102	336677	150101	TW04609		
706114	70159002	772112	339456	151153	TW04617		
		772111	189252	155103	TW04614		





[www.gewinnerbrake.com](http://www.gewinnerbrake.com)



www.  
**gewinner**  
**brake.com**



ATAKPAR OTOMOTİV SAN. TİC. LTD. ŞTİ.

Fevzi Çakmak Mah. 10768. Sk.  
No: 30 Karatay/KONYA/TURKIYE

TEL +90 (332) 251 60 01  
bilgi@gewinnerbrake.com

